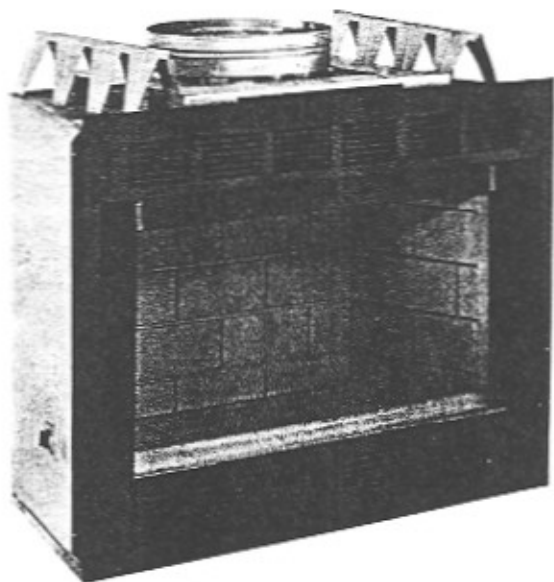


Installation Instructions

*For Superior's
CF Series
Models
CF-3860
CF-4360*

*And Hearthstar
H Series
Model
38H*



This installation manual will enable you to obtain a safe, efficient and dependable installation of your fireplace system. Please read and understand these instructions before beginning your installation.

Do not alter or modify the fireplace or its components under any circumstances. Any modification or alteration of the fireplace system, including but not limited to the fireplace, chimney components and accessories, may void the warranty, listings and approvals of this system and could result in an unsafe and potentially dangerous installation.

The name Superior is used synonymously with the name Hearthstar throughout this installation manual.

**PLEASE RETAIN THIS MANUAL FOR
FUTURE REFERENCE.**



IMPORTANT!
PLEASE READ AND UNDERSTAND
THESE RULES TO FOLLOW FOR
SAFETY

1. Before starting your fireplace installation, read these installation instructions carefully to be sure you understand them completely and in entirety. Failure to follow them could cause a fireplace malfunction resulting in serious injury and/or property damage.

2. Always check your local building codes. The installation must comply with all local, regional, state and national codes and regulations.

3. Superior Model CF-3860 and Hearthstar Model 38H must be installed with the Model TF8 (8" (203mm) inside diameter) Thru-Flow Chimney System only. Superior Model CF-4360 must be installed with either Superior Model TF8 (8" (203mm) inside diameter) or Model TF10 (10" (250mm) inside diameter) Thru-Flow Chimney System. These systems are intended for use as residential type appliances. The chimney system must always vent to the outside of the building.

4. To ensure a safe fireplace system and to prevent the build-up of soot and creosote, inspect and clean the fireplace and chimney prior to use and periodically during the heating season.

5. Use solid fuel only. DO NOT use artificial logs, chemical chimney cleaners or flame colorants in your fireplace.

6. DO NOT use charcoal or coal under any circumstances.

7. NEVER use gasoline, gasoline-type lantern fuel, kerosene, charcoal lighter fluid, or similar liquids to start or "freshen up" a fire in this fireplace. Keep any flammable liquids a safe distance from the fireplace.

8. NEVER leave children unattended when there is a fire burning in the fireplace.

9. Always keep flue damper open when heat is present in the fireplace.

10. Before servicing, allow the fireplace to cool. Always shut off any electricity or gas to the fireplace while working on it. This will prevent any possible electrical shock or burns.

11. This fireplace is not intended to heat an entire home or be used as a primary heat source. It is designed to ensure homeowner comfort by providing supplemental heat to the room.

12. Always ensure an that adequate supply of replacement combustion air from the outside of the house is accessible to the fire to support normal combustion. Fireplaces consume large volumes of air during the normal combustion process. In the event the home is tightly sealed with modern energy efficient features, Superior's optional combustion air kit may not provide all the air required to support combustion. Superior is not responsible for any smoking or related problems that may result from the lack of adequate combustion air. It is the responsibility of the builder/contractor to ensure that adequate combustion air has been provided for the fireplace.

13. DO NOT use a fireplace insert or any other products not specified herein by Superior for use with this fireplace.

14. Superior Fireplace Company does not warranty "smoke free" operation nor are we responsible for inadequate system draft caused by mechanical systems, general construction conditions, inadequate chimney heights, adverse wind conditions and/or unusual environmental factors or conditions beyond our control.

15. Never, under any circumstances, install a fireplace, chimney component or any accessories, supplied by Superior Fireplace Company, that has

visible or suspected physical damage as a result of handling or transportation. These items should be inspected by a Superior distributor or qualified factory representative to ensure safe condition. When in doubt, consult your Superior distributor.

TOOLS AND BUILDING SUPPLIES
NORMALLY REQUIRED

Tools should include:
Phillips screwdriver
Hammer
Saw and/or sabersaw
Level
Measuring tape
Plumb line
Electric drill and bits
Pliers
Square

Building supplies:
Framing materials
Wall finishing materials
Caulking materials
(non-combustible)
Fireplace surround and
hearth extension materials
(non-combustible)

TYPICAL INSTALLATION

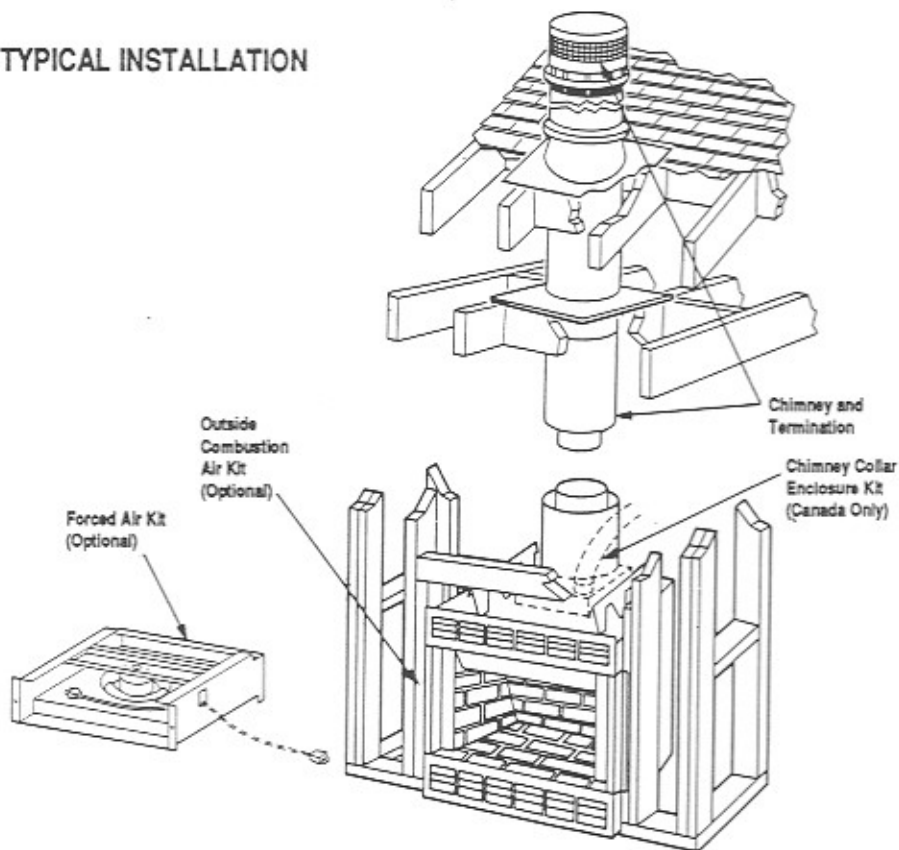


Figure 1

NOTE: DIAGRAMS & ILLUSTRATIONS NOT TO SCALE

PRECAUTIONS

Note: These fireplace systems are not difficult to install. However, in the interest of safety, it is recommended that the installer be a qualified or certified "tradesman" familiar with commonly accepted fireplace installation and safety techniques as well as prevailing local codes.

The most important areas of concern dealing with the installation of factory-built fireplaces are clearances to combustible materials, proper assembly of component parts, height of the chimney system, the proper use of accessories supplied by Superior and the techniques employed in using finishing materials applied to the wall surrounding the fireplace, hearth extensions and wall shields. Each of these topics will be covered in thorough detail throughout this manual. Please give each your special attention as you progress with your installation.

IMPORTANT: WHEN INSTALLING THESE FIREPLACE SYSTEMS IN CANADA, THE REQUIRED MINIMUM AIR SPACE TO COMBUSTIBLE MATERIALS FROM THE CHIMNEY IS 2" (51MM). THE CHIMNEY COLLAR ENCLOSURE KIT, MODEL CCEK, MUST BE INSTALLED PER THE WARNOCK HERSEY INTERNATIONAL, INC. LISTING. THIS IS NOT A U.L. LISTED INSTALLATION.

WHEN INSTALLING SUPERIOR'S TF8 SERIES CHIMNEY SYSTEM ON MODEL CF-4360 IN CANADA OR THE U.S., THE MINIMUM AIR SPACE TO COMBUSTIBLES FOR THE CHIMNEY SYSTEM IS 2" (51MM).

INTRODUCTION

General Information

The CF and H Series are wood burning fireplaces featuring a self contained heat circulating system. An outside combustion air kit, Model AK-4, decorative glass doors, a forced air kit, Model FAK-1500, and the fan adapter kit, Model CF-ADK, are available as optional equipment.

Note: Illustrations shown reflect "typical" installations with nominal dimensions and are for design and framing reference only. Actual installations may vary due to individual design preferences. However, always maintain minimum clearances to combustible materials and do not violate any specific installation requirements.

The CF and H Series fireplaces have been tested and listed by Underwriters Laboratories, Inc. and Warnock Hersey International, Inc. to U.L. 127 standard for U. S. installations and U.L.C. S610 standard for Canadian installations. These units are intended for installation in residential homes and buildings of conventional construction, not in mobile homes.

These fireplace systems are designed for installation in accordance with the National Fire Protection Standard for chimneys, fireplaces and solid fuel burning appliances; NFPA 211 and in accordance with codes such as the BOCA Basic/National Codes, the Standard Mechanical Code, Uniform Building Codes and/or the Canadian National Code.

FAILURE TO USE PARTS MANUFACTURED BY SUPERIOR FIREPLACE COMPANY, VARIATIONS IN TECHNIQUES AND CONSTRUCTION MATERIALS DESCRIBED IN THIS MANUAL MAY CREATE A FIRE HAZARD AND VOID SUPERIOR'S LIMITED WARRANTY.

The CF and H systems consist of six basic "sub-systems":

1. The Fireplace
2. The Chimney and Termination
3. Optional Glass Doors
4. The Optional Forced Air Kit
5. The Optional Combustion Air Kit
6. Chimney Collar Enclosure Kit (Canada Only)

CLEARANCES AND HEIGHT REQUIREMENTS

The fireplace may be placed on or near normal construction materials*. The combustion air kit, firestop spacer and roof flashings (not chase flashings) may be placed directly on or against normal construction materials.* The chimney requires a minimum 1" (25mm)** (See **Note**) air space to combustibles. A combustible mantle may be installed 12" above the opening of the fireplace as per NFPA 211, Section 7-3.3.3. In Canada the minimum is 18" (457mm) above the opening.

The fireplace and chimney system must be enclosed when installed in or passing through a living area where combustibles or people may come in contact with it. This is important to prevent possible personal injury or fire hazard.

*Construction Materials:

- framing materials
- plywood
- particle board
- flooring
- millboard
- dry wall
- paneling
- etc.

For questions, please call your distributor or Superior Fireplace Company. Special restrictions apply to the front and facing of the fireplace and nearby walls (See pages 15, 16 and 17).

****Note: 2" (51mm) when installing in Canada and 2" when installing TF8 chimney on Model CF-4360.**

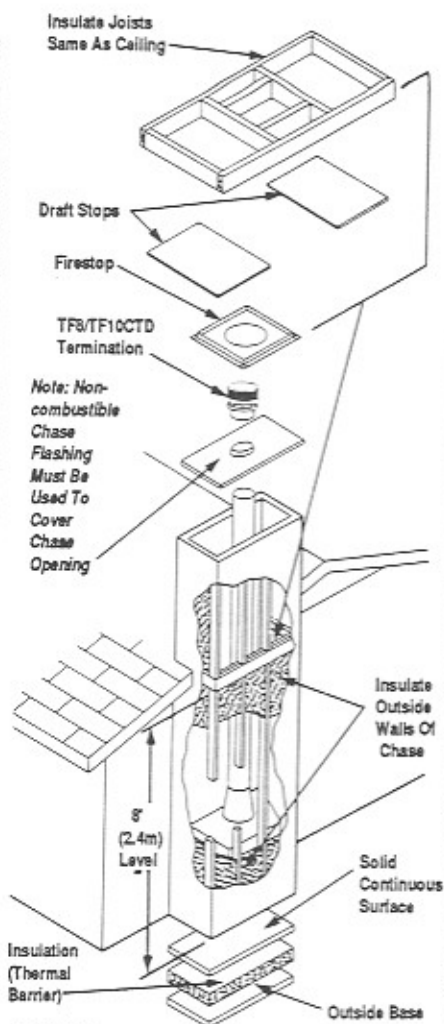


Figure 2

WARNING: IF INSULATION IS USED, THE FIREPLACE MUST NOT BE PLACED DIRECTLY AGAINST IT. INSULATION OR VAPOR BARRIERS, IF USED, MUST FIRST BE COVERED WITH GYPSUM BOARD, PLYWOOD, PARTICLE BOARD OR OTHER MATERIAL TO ASSURE INSULATION AND VAPOR BARRIERS REMAIN IN PLACE.

WARNING: DO NOT PACK OR FILL REQUIRED AIR SPACES WITH INSULATION OR OTHER MATERIAL. NO MATERIAL ALLOWED IN THESE AREAS.

Notes:

1. Do Not Insulate The Chase Cavity With Blown Or Fill Type Insulation Materials.
2. Local Codes May Not Require Firestopping At The Ceiling Levels For Outside Chase Installations; However, It Is Recommended For Safety And The Reduction Of Heat Loss.

CHIMNEY SYSTEM

Superior manufactured fireplace Models CF-3860 and 38H are designed and code listed for use with Superior's TF8 Thru-Flow Chimney System. Model CF-4360 is designed and code listed for use with Superior's TF8 and TF10 Thru-Flow Chimney Systems. Always use Superior's Thru-Flow chimney components with these fireplaces. Do not modify or alter these components as this may cause a potential serious hazard and void Superior's Limited Warranty.

CHIMNEY HEIGHT

The total height of your CF or H fireplace system from the surface the fireplace rests on to the chimney top must not exceed 80' (24.38m) and must also meet minimum height requirements. Refer to the minimum system height chart.

MINIMUM SYSTEM HEIGHT

Opening Width Chimney Type	38" (TF8)	43" (TF8)	43" (TF10)
Vertical Installation	12'0" (3.67m)	16'8" (5.98m)	15'0" (4.57m)
One Offset	12'0" (3.67m)	16'8" (5.98m)	15'0" (4.57m)
Two Offsets	25'0" (7.62m)	25'0" (7.62m)	25'0" (7.62m)

CHASE ENCLOSURE

A chase is a vertical box-like structure constructed to surround the fireplace and chimney. Refer to Figure 2 for a typical chase configuration. As with all chimney installations, avoid overhead obstructions such as trees, power lines, etc. A chase should be constructed and insulated just like any outside wall. In a cold climate, we recommend the base of the chase should also be insulated between the solid continuous floor beneath the fireplace and the chase bottom. The value and amount of chase insulation in a cold climate installation (if used) is optional and not required for safety.

ASSEMBLY OUTLINE

Before You Start

Check your inventory list to be sure you have all the necessary parts supplied in good useable condition. Check also for any concealed damage.

Check the operation of the damper. The flue damper handle extends down from the inside top of the fireplace; push in to close, pull out to open - takes firm pressure to lock closed.

LOCATION OF FIREPLACE

Carefully select the proper location for heat circulation, aesthetics, chimney obstructions and clearance to side wall(s). With proper pre-planning, a slight adjustment of a few inches can save considerable time and expense later during construction and assembly.

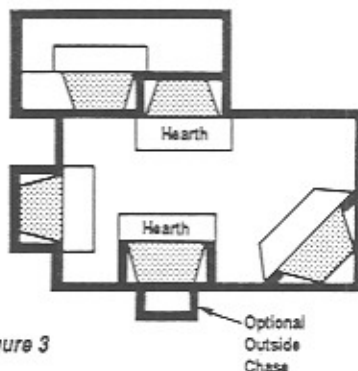


Figure 3

Carefully consider the position of the fireplace opening with respect to the location of adjacent or nearby stairwells, bath or kitchen exhaust fans and/or return air registers for forced air furnaces/air conditioners that could cause a smoking fireplace condition if the house is tightly insulated.

If there is a continuous perpendicular side wall closer than 15" (381mm) for the CF-3860 or 38H and 18" (457mm) for the CF-4360 from the nearest side of the fireplace opening, it must be protected with a metal wall shield, Model WS40, manufactured by Superior or one constructed of 40" x 40" x 1/2" (1016 mm x 1016mm x 13mm) millboard or a durable non-combustible material with equal or greater insulating value (see page 16). A continuous perpendicular side wall cannot be closer than 8" (203mm) from the fireplace opening under any circumstances, even if protected.

ASSEMBLY STEPS

Note: The following steps represent the normal sequence of installation. Each installation is unique, however, and might require a different sequence.

1. Position firebox prior to framing or into prepared framing.
2. Install chimney collar enclosure kit (Canada only).
3. Install the chimney system.
4. Install optional outside combustion air kit.
5. Field wire main power supply to fireplace for fan kit and install CF-ADK adapter kit. (Electrical connections should only be performed by an experienced, licensed/certified tradesman.)

6. Plumb gas line if a decorative gas appliance will be used. (Gas connections should only be performed by an experienced, licensed/certified tradesman.)

7. Complete finish wall material, surround and hearth extension to your individual taste.

8. Assemble and attach optional glass door assembly.

Study the three dimensional illustration (Figure 1) to get a general idea of each element of your fireplace system.

INSTALLING THE FIREPLACE

The fireplace may be installed directly on a combustible floor or raised on a platform of an appropriate height. Do not place fireplace on carpeting, vinyl or other soft floor coverings. It may, however, be placed on flat wood, plywood, particle board or other hard surfaces. Be sure fireplace rests on a solid continuous floor or platform with appropriate framing for support and so that no cold air can enter room from under the fireplace.

The fireplace may be positioned and then the framing built around it, or the framing may be constructed and the fireplace positioned into the opening.

Usually, no special floor support is needed for the fireplace, however, to be certain:

1. Estimate the total weight of the fireplace system and surround materials such as brick, stone, etc., to be installed. Shipping weights for the fireplace and chimney may be found in the Suggested List Prices.

2. Measure the square footage of the floor space to be occupied by the system, surrounds and hearth extensions.

3. Note the floor construction, i.e. 2 x 6's, 2 x 8's or 2 x 10's (51 x 152mm, 51 x 203mm or 51 x 250mm), single or double joists, type and thickness of floor boards.

4. Use this information and consult your local building code to determine if you need additional support.

CAUTION: DO NOT BLOCK THE HEAT CIRCULATING AIR INLETS AND OUTLETS. DOING SO MAY RESULT IN A POTENTIAL FIRE HAZARD.

If you plan to raise the fireplace and hearth extension, build the platform assembly then position fireplace and hearth extension on top. Secure the platform to the floor to prevent possible shifting.

TO INSTALL:

Step 1. Slide the fireplace into prepared framing or position fireplace in its final position and frame later.

Step 2. Insert the metal safety strips, packaged with the fireplace, beneath the fireplace as illustrated (Figures 4 and 5). The safety strips should overlap for continual coverage of the floor.

Note: Safety strips are not required when fireplace rests on a non-combustible surface.

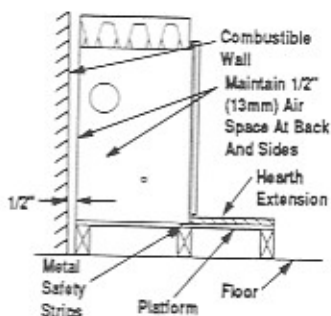


Figure 4

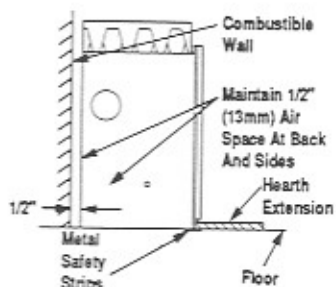


Figure 5

Note: Install the hearth extension only as illustrated.

The safety strips should extend from front and sides of the fireplace 2" (51mm). In the event a wooden support is used to elevate the fireplace above the floor, a "Z" type safety strip should be fabricated and used to protect the front surface of the wood support as well as the floor beneath the hearth extension (Figures 6 and 7). The safety strips should be tacked down to prevent possible movement.

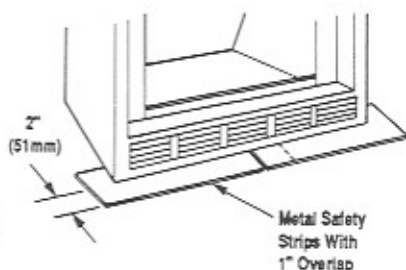


Figure 6

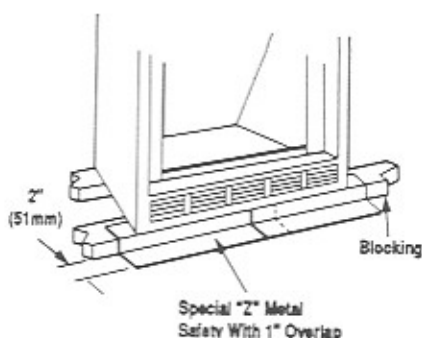


Figure 7

Note: The "Z" type safety strip is not supplied by Superior.

Step 3. Refer to fireplace drawings and specifications on pages 6 and 7 for framing dimensions and details. Framing header may be positioned directly on the fireplace top spacers.

IMPORTANT: UNDER NO CIRCUMSTANCES CAN THE FIREPLACE TOP SPACERS BE REMOVED OR MODIFIED. DO NOT NOTCH THE HEADER TO FIT LOWER THAN THE FIREPLACE TOP SPACERS.

Step 4. Fireplace may be anchored to floor. Bend down four (4) anchor tabs located at the base of the fireplace and secure to the floor by nailing with 8d nails (Figure 8).

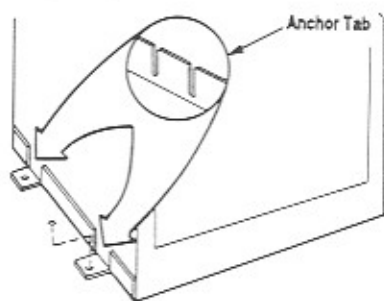


Figure 8

Step 5. Fireplace should be secured to side framing members using nailing flanges. Use 8d nails (Figure 9).

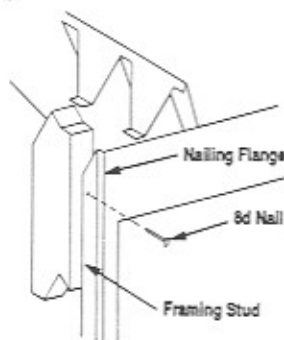


Figure 9

Note: The nailing flange and the area directly behind the nailing flange is exempt from the clearances described on the fireplace clearance label.

FOR CANADIAN INSTALLATIONS, PROCEED WITH STEPS 6-9

Note: W.H.I. listed only. This is not a U.L. listed installation.

Step 6. Attach the chimney collar enclosure kit, Model CCEK, around chimney collar with the screws provided (Figure 10).

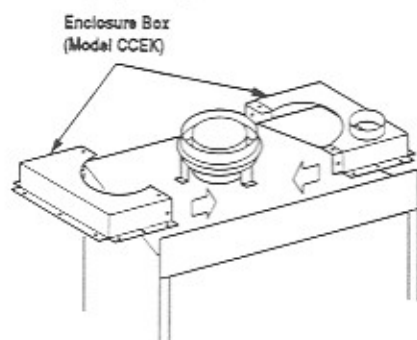


Figure 10

Step 7. Connect the 4" (102mm) Class 1 duct provided to the collar on the chimney collar enclosure with the screws provided in the hardware kit.

Step 8. Route the Class 1 duct out the back wall or side wall, up through the ceiling or floor joists to an outside wall. The duct should be located above snow level.

Note: If the fireplace is installed against an inside wall, the Class 1 duct may be extended into a ventilated attic space at least 18" (457mm) above the attic floor. Secure the duct hood to a vertical post with the inlet positioned downward. Ensure nothing blocks the hood opening. This duct must never terminate higher than the chimney.

Step 9. Cut or frame hole through the outside wall for the installation of the duct inlet hood. A 4 1/2" (114mm) diameter hole is sufficient. Feed the loose end of the flexible duct through the hole cut for the inlet hood and attach to collar on inlet hood using two (2) screws. Insert hood into opening. Secure in place with nails driven through holes in hood flange. Seal with non-combustible waterproof silicon type caulking. If additional duct is needed, use Class 1 metallic duct.

INSTALLING THE CHIMNEY SYSTEM

Step 1. Check flue damper for proper operation. When the damper is in the fully closed position, the damper control lever is pushed all the way to the rear of the firebox. When the damper is in the fully open position the damper control lever is pulled all the way to the front of the firebox.

Step 2. Using standard construction framing techniques, construct opening for chimney route up through the ceiling(s) and roof or through an outside chase.

Framing must maintain adequate minimum air space clearance at all times.

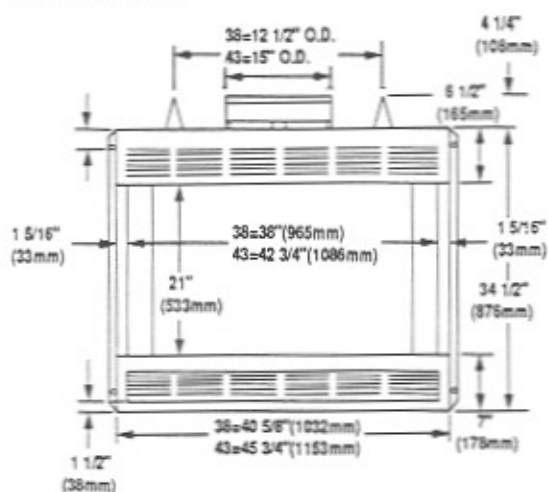
CAUTION: ALLOW MINIMUM 1" (25MM) (SEE **NOTE) CHIMNEY AIR SPACE TO COMBUSTIBLE FRAMING MEMBERS THROUGHOUT VERTICAL OR OFFSET CHIMNEY INSTALLATION.**

A minimum 1" (See **Note) air space must be reserved for all combustible materials extending for any continuous length surrounding the chimney.

Reference Figures 19 and 20 and charts Framing Dimensions for Ceiling and Roof, which specify minimum ceiling and roof dimensions.

In new construction, to determine chimney center line, use plumb line from roof or ceiling above fireplace to center of flue collar on fireplace.

FIREPLACE SPECIFICATIONS



Front View

Figure 11

Note: If you will be installing glass doors, refer page 18 for clearance requirements.

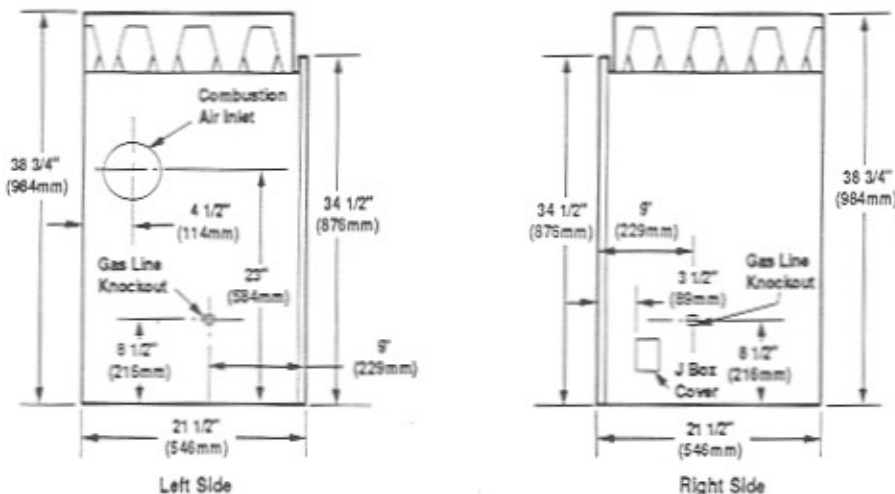
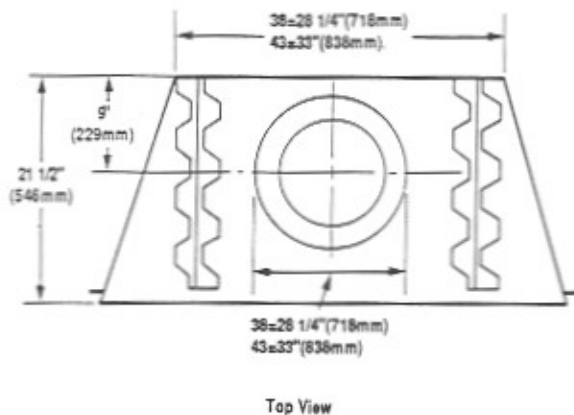


Figure 12

Figure 13



Top View

Figure 14

**Note: 2" (51mm) when installing in Canada and 2" when installing TF8 chimney on Model CF-4360.

For remodeling, plumb to center of flue collar from ceiling above, drive nail through ceiling from below to mark position, then mark and cut to passage from above ceiling (around nail)(Figure 21). Then plumb from ceiling or roof level directly above hole which has just been completed.

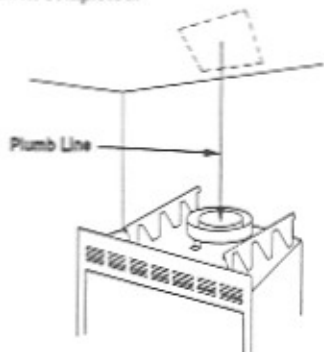


Figure 21

Step 3. Position appropriate firestop spacer at ceiling and nail temporarily with two (2) 8d nails. Use flat firestop spacer, Model 8FS* for TF8 system and Model 10FS* for the TF10 system, if chimney penetrates ceiling vertically. If chimney penetrates ceiling at 30° angle (offset chimney), use 30° firestop spacer, Model 8FS30* for TF8 and Model 10FS30* for TF10 system. Use one nail on opposite sides to hold firestop spacer in position. Nail permanently, using at least two (2) more 8d nails, after chimney sections have been assembled through the firestop spacer and after any necessary adjustments have been made. Firestop spacer must be secured by at least four (4) 8d nails when completely installed.

*Note: Use Models 8FS-2, 8FS30-2, 10FS-2 or 10FS30-2 to maintain 2" (51mm) clearance. Models 8FS-2 and 8FS30-2 must be used when installing TF8 chimney on CF-4360.

Note: If there is a room above ceiling level, firestop spacer must be installed on the bottom side of the ceiling. If an attic is above ceiling level, firestop spacer must be installed on top side of ceiling joist (Figures 22 and 23).

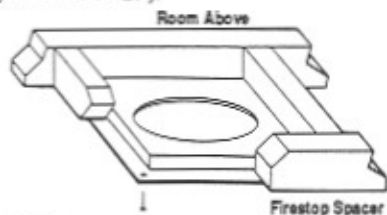


Figure 22

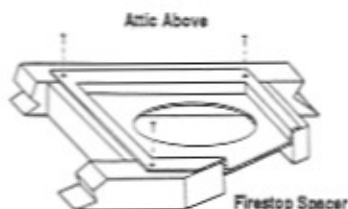


Figure 23

Step 4. Note: Chimney sections are constructed with a unique locking tab design, which ensures an immediate, tight assembly between sections. Plan your chimney requirements carefully before assembly as chimney is difficult to disassemble after installation. If disassembled, the tabs might become damaged. Be certain tabs are properly formed to ensure locking tabs engage properly.

The TF8 and TF10 chimney systems are two piece chimneys, which snap together from the fireplace up. Start with the inner flue section. With the hemmed end down, snap lock it in to the matching collar on top of the fireplace. At all subsequent joints, the upper flue section fits into the preceding flue section. Each piece snaps together by means of locking tabs (9 locking tabs per joint). Check each piece by pulling up slightly from the top to ensure proper engagement before installing succeeding sections. If the flue has been installed correctly, it will not separate when you test it. Also, the inner flue joint where each section is joined should be tight and flat without gaps (Figure 24).

Outer pipe section installs in just the opposite way; the hemmed end goes UP and each new section goes OVER the outside of the previous section installed (Figure 25).

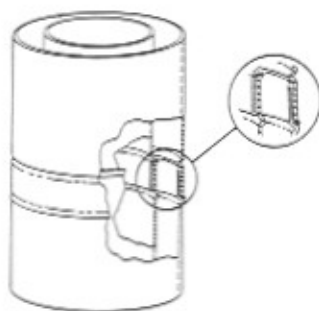


Figure 24

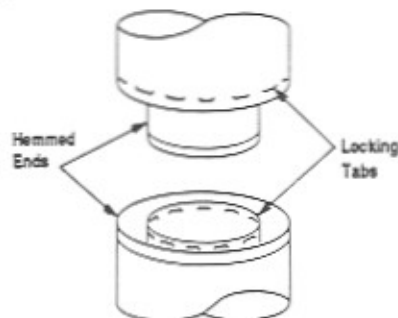


Figure 25

Note: Assemble one component of chimney at a time (inner section first, then outer section last) before proceeding with the next complete section.

Continue to assemble the chimney up through framed opening. Assemble just enough to penetrate the roof flashing openings (Figure 26). Always maintain 1" (25mm)** (See **Note) minimum air space to combustible materials and always check each chimney joint (inner and outer) to ensure proper engagement. Check vertical alignment of chimney so that it projects from the roof in true vertical position.

Superior chimney sections should not be screwed together and it is not required for additional reinforcement.

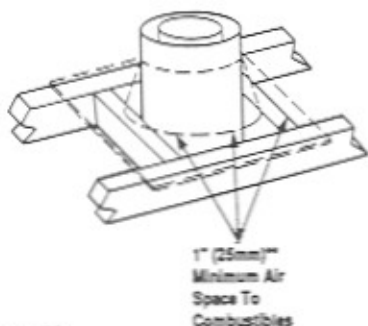


Figure 26

Step 5. The height of vertical chimney pipe supported only by the fireplace must not exceed 30' (9.1m). Chimney heights above 30' (9.1m) must be supported by a Model 8-S4 or Model 10-S4 unitized stabilizer installed at 30' (9.1m) intervals.

Note: The Model 8-S4 and Model 10-S4 add 2 1/2" (64mm) net effective height to the total chimney system.

Install the Model 8-S4 or 10-S4 stabilizer by fitting inner section down into respective section of preceding flue pipe and locking outer stabilizer section into place over the outer chimney pipe. Position for proper clearance through framed opening and nail straps securely (under tension in "shear") into place on framing. Use 8d nails. Attach successive lengths of chimney pipe directly to stabilizer using same techniques as described in Step 4.

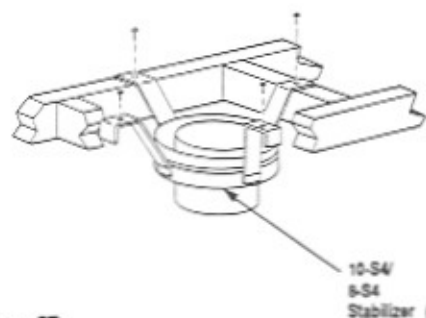


Figure 27

**Note: 2" (51mm) when installing in Canada and 2" when installing TF8 chimney on Model CF-4360.

FRAMING SPECIFICATIONS

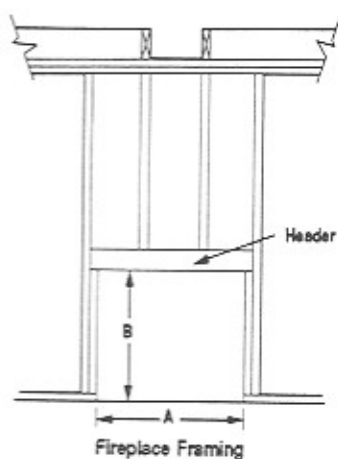


Figure 15

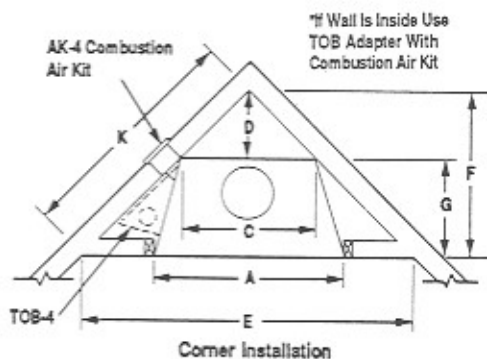


Figure 16

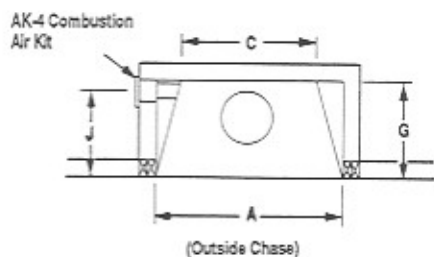


Figure 17

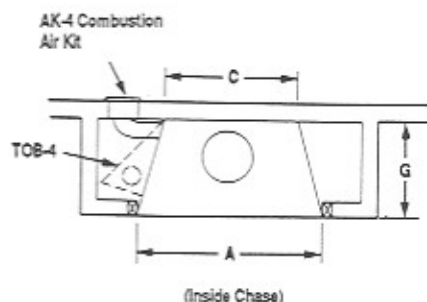


Figure 18

FIREPLACE FRAMING DIMENSIONS

	Fireplace Opening Width	
	38"	43"
A	40 3/4" (1035mm)	45 1/2" (1156mm)
B	39" (991mm)	39" (991mm)
C	28 1/4" (718mm)	33" (838mm)
D	14 1/2" (368mm)	17 1/2" (445mm)
E	72" (1829mm)	78" (1981mm)
F	38 7/8" (911mm)	38 7/8" (988mm)
G	21 3/8" (543mm)	21 3/8" (543mm)
J	18" (457mm)	18" (457mm)
K	51" (1295mm)	55" (1397mm)

FRAMING DIMENSION FOR CEILING

Flue Type	Ceiling Opening	
	A	B
TF8, Vertical	14 1/2" (368mm)	14 1/2" (368mm)
TF8, Vertical at 2°	16 1/2" (419mm)	16 1/2" (419mm)
TF10, Vertical	17" (432mm)	17" (432mm)
TF10, Vertical at 2°	19" (438mm)	19" (438mm)
TF8 Offset 30°	14 1/2" (368mm)	25" (635mm)
TF8 Offset 30° at 2°	16 1/2" (419mm)	27" (686mm)
TF10 Offset 30°	17" (432mm)	26" (660mm)
TF10 Offset 30° at 2°	19" (438mm)	28" (711mm)

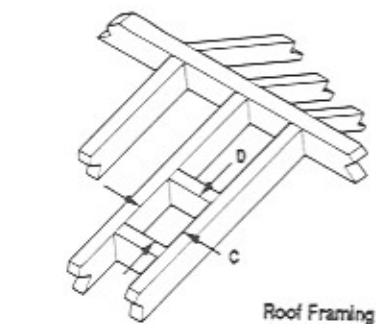


Figure 19

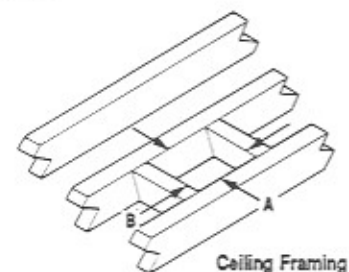


Figure 20

FRAMING DIMENSIONS FOR ROOF

Pitch	TF8 at 1°		TF8 at 2°	
	C	D*	C	D*
0/12	14 1/2" (368mm)	14 1/2" (368mm)	16 1/2" (419mm)	16 1/2" (419mm)
6/12	14 1/2" (368mm)	17" (432mm)	16 1/2" (419mm)	19" (483mm)
12/12	14 1/2" (368mm)	21 1/2" (546mm)	16 1/2" (419mm)	23 1/2" (579mm)

Pitch	TF10 at 1°		TF10 at 2°	
	C	D*	C	D*
0/12	17" (432mm)	17" (432mm)	19" (483mm)	19" (483mm)
6/12	17" (432mm)	19" (483mm)	19" (483mm)	21" (533mm)
12/12	17" (432mm)	24" (619mm)	19" (483mm)	26" (660mm)

*Perpendicular to roof ridge

Note: Do not apply excessive pressure to any subsequent chimney sections following the stabilizer when installing. Ensure each subsequent chimney section is securely attached by testing as noted in Step 4.

Step 6. Select proper Superior roof flashing based on pitch of roof. Use chart below for selection:

Roof Pitch	TF8	TF10
Flat to 6/12	8-F6	10-F6
6/12 to 12/12	8-F12	10-F12

Next, slide roof flashing over extended chimney section that previously has been installed above the roof opening in Step 4. Slide flashing all the way down until the flashing base rests flat on the roof. Again, check the vertical position of the chimney and the 1" (25mm)** (See ****Note**) minimum air space to combustibles.

Step 7. Secure flashing by nailing along the perimeter into roof using 8d nails. If shingled roof, slide upper end and sides of roof flashing under shingles (trim if necessary), seal the top and both sides of the flashing to the roof with roof caulking. Cover nail heads with roof caulking (Figure 28).

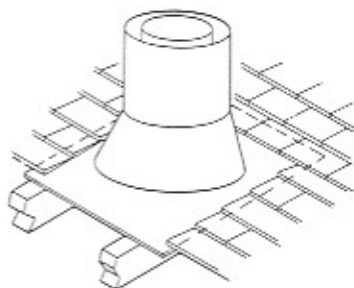


Figure 28

Step 8. The standard Superior roof flashing assemblies include a storm collar. Slide storm collar over outer chimney, align with top surface of flashing, insert tab in slot, pull tight and bend tab back over slot. Seal storm collar to outer chimney with roof caulking or mastic around entire circumference of pipe. Also add extra roof caulking where storm collar meets flashing and to the tab/slot area to seal completely against water penetration (Figure 29). Check all joints very carefully to ensure no water intrusion can take place.

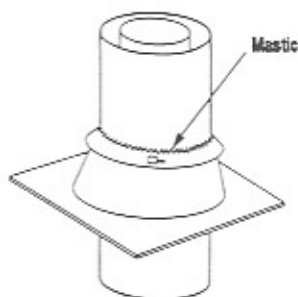


Figure 29

Step 9. Superior locking bands, Models 8LB or 10LB, may be required if the chimney extends too high above the roof flashing. As a general rule, if the chimney extends more than 6' (1.8m) above the roof flashing, the use of locking bands is advisable to strengthen the chimney assembly. Align the locking band at the chimney joint. Locking bands wrap around pipe joints equally covering the joints of both pipe sections. Use nut provided and TIGHTEN snugly. Do not over-tighten as this might damage chimney section (Figure 30).

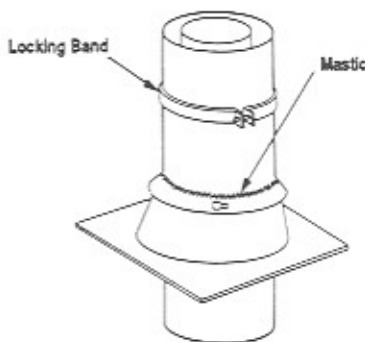


Figure 30

Note: If chimney extends more than 8' (2.4m) above roof surface, guy wires are also recommended. Use three (3) guy wires, attach to locking band assembly, extend and secure to roof in a triangular pattern (Figure 31). Guy wires are not supplied by Superior.

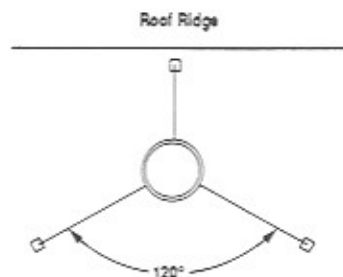


Figure 31

NOTE: DIAGRAMS & ILLUSTRATIONS NOT TO SCALE

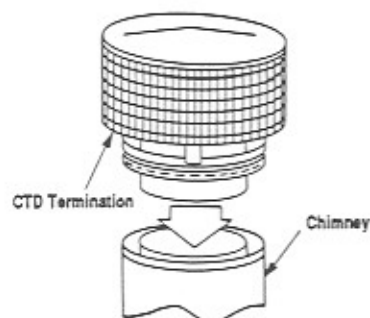


Figure 32

Step 10. Using a CTD Round Termination:

- 1) Hold CTD over top of last chimney section (Figure 32).
- 2) Center inner slip section in inner flue pipe-slip down.
- 3) Center outer locking section over outer flue pipe. Push down until locking tabs are firmly engaged.
- 4) Pull up slightly on CTD to ensure locking joint has firmly engaged.

Note: Special galvanized over-dipped CTD terminations (P/N 031110 for 8" and P/N 031102 for 10") and CTD terminations (P/N 031111 for 8" and P/N 031112 for 10") are available for installations susceptible to corrosive environments. Contact your distributor or Superior Customer Service for pricing and availability.

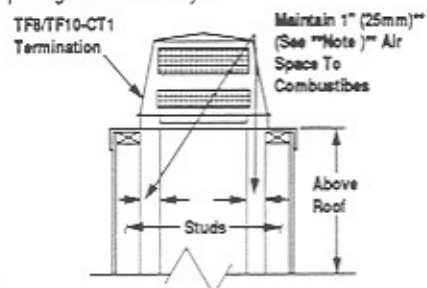


Figure 33

Using a CT1 Chase Termination

Refer to specific installation instructions included with CT1 chase termination for clearance statements and installation details.

****Note:** 2" (51mm) when installing in Canada and 2" when installing TF8 chimney on Model CF-4360.

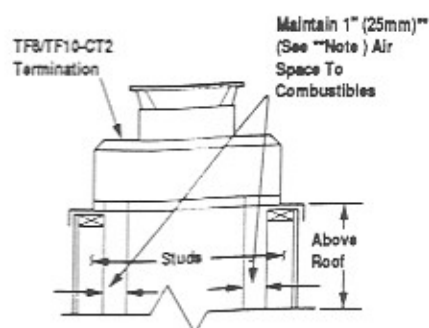


Figure 34

Using a CT2 Chose Termination

Refer to specific installation instructions included with the CT2 chose termination for clearance statements and installation details.

Using a CTD T Chose Termination

Refer to specific installation instructions included with the CTD T chose termination for details.

Note: It is recommended that all exterior exposed related metal fireplace components; such as terminations, flashings, storm collars and/or flue be painted with a premium quality, high temperature, rust preventative paint designed for metal. This is especially important when installations are made in abnormally adverse or corrosive environments; such as near lakes, oceans or in areas with consistently high humidity conditions. Consult the paint manufacturers instructions for proper preparation and application.

TEN FOOT RULE SUMMARY

The minimum chimney height above the roof and/or to adjacent walls and buildings is specified by all major building codes.

If the horizontal distance from the peak of the roof is less than 10' (3m), the top of the chimney must be at least 2' (610mm) above the peak of the roof.

If the horizontal distance from the chimney edge to the peak of the roof is more than 10' (3m) a chimney height reference point is established on the roof surface 10' (3m) horizontally from the chimney edge. The top of the chimney must be at least 2' (610mm) above this reference point. In all cases, the chimney cannot be less than 3' (914mm) above the roof at the edge of the chimney.

****Note: 2" (51mm) when installing in Canada and 2" when installing TF8 chimney on Model CF-4360.**

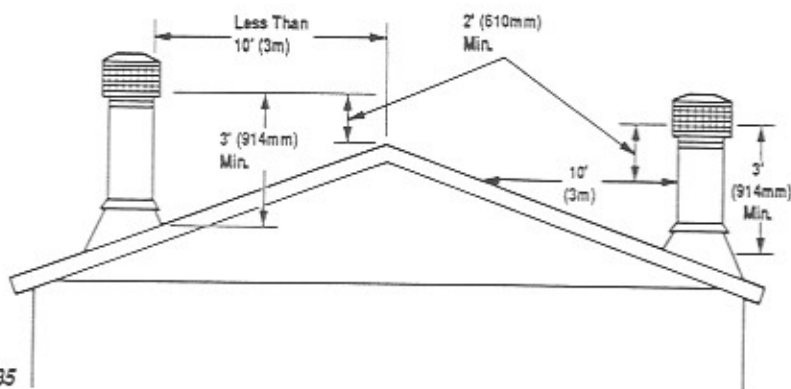


Figure 35

The 2' in 10' rule is necessary in the interest of safety but does not ensure smoke-free operation. Trees, buildings, adjoining roof lines, adverse wind conditions, etc., may require a taller chimney should the fireplace not draft properly (Figure 35).

MULTIPLE TERMINATIONS

If more than one termination is located in the same chase or within the same general proximity, we suggest they should be separated in distance at least 24" (610mm) horizontally from flue center to flue center and stacked or staggered vertically at least 18" (457mm) apart, from the termination of one smoke exit to the termination of another smoke exit (Figure 36).

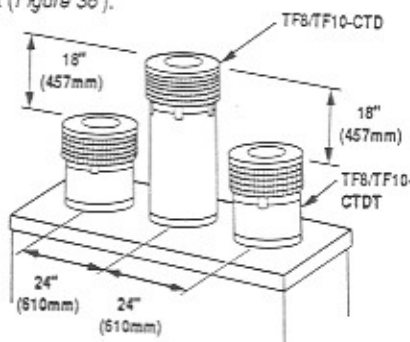


Figure 36

This suggestion is provided in the interest of better operation. If the terminations are located too close to each other, smoke may migrate from one flue into the other.

TF8 AND TF10 CHIMNEY COMPONENT CALCULATIONS

The minimum installed height of the CF-3860 and 38H Series fireplace systems is 12'0" (3.67m). The minimum installed height of the CF-4360 Series fireplace systems (including fireplace and chimney components) is 15'0" (4.57m). The maximum height for all systems is 80'0" (24.38m).

To determine the number of chimney sections and chimney components required, follow these steps:

1. Determine total vertical height of the fireplace installation. This dimension is the distance from the surface the fireplace sets on to the point where smoke exits from the termination.

2. Determine the number of chimney components required, except chimney sections. This would include firestop spacers, stabilizers, roof flashing, etc.

3. The effective heights of the components are:

The Fireplace = 38" (965mm)

CTD Termination = 4" (102mm)

CT1 Termination = 12" to 18" (305mm to 457mm)

CT2 Termination = 15" to 23" (381mm to 584mm)

CTDT Termination = 12" to 18" (305mm to 457mm)

SS Starter = 19" (483mm)

S4 Stabilizer * = 2 1/2" (64mm)*

* Required for every 30' (9.1m) of vertical chimney and/or 10' of offset chimney.

4. Determine amount of chimney height required by subtracting total combined height of all preselected components (fireplace and chimney components from total desired height.)

Reference Vertical Elevation Chart and determine the number of chimney sections (quantity and length) required.

TF8 CHIMNEY SYSTEMS VERTICAL ELEVATION CHART (FEET & INCHES)

Height Of Flue Only	Number Of TF-8 Flue Lengths				Height Of Flue Only	Number Of TF-8 Flue Lengths				Height Of Flue Only	Number Of TF-8 Flue Lengths				Height Of Flue Only	Number Of TF-8 Flue Lengths								
	Inches	Feet	12"	18"		Inches	Feet	12"	18"		Inches	Feet	12"	18"		Inches	Feet	12"	18"	Inches	Feet	12"	18"	
10 1/2	1' 0 3/4"	1	1	1	144 1/2	13' 3/4"	1	1	1	200 1/2	17' 3/4"	1	1	1	256 1/2	21' 3/4"	1	1	1	312 1/2	25' 3/4"	1	1	1
10 1/4	1' 0 1/2"	1	1	1	142 1/2	13' 1/2"	1	1	1	198 1/2	17' 1/2"	1	1	1	254 1/2	21' 1/2"	1	1	1	310 1/2	25' 1/2"	1	1	1
10 1/8	1' 0 1/4"	1	1	1	140 1/2	13' 1/4"	1	1	1	196 1/2	17' 1/4"	1	1	1	252 1/2	21' 1/4"	1	1	1	308 1/2	25' 1/4"	1	1	1
10 1/8	1' 0 1/4"	1	1	1	140 1/2	13' 1/4"	1	1	1	196 1/2	17' 1/4"	1	1	1	252 1/2	21' 1/4"	1	1	1	308 1/2	25' 1/4"	1	1	1
10 3/8	1' 0 3/8"	1	1	1	138 1/2	12' 11/8"	1	1	1	194 1/2	16' 11/8"	1	1	1	250 1/2	20' 11/8"	1	1	1	306 1/2	24' 11/8"	1	1	1
10 1/2	1' 0 1/2"	1	1	1	136 1/2	12' 1/2"	1	1	1	192 1/2	16' 1/2"	1	1	1	248 1/2	20' 1/2"	1	1	1	304 1/2	24' 1/2"	1	1	1
10 1/4	1' 0 1/4"	1	1	1	134 1/2	12' 1/4"	1	1	1	190 1/2	16' 1/4"	1	1	1	246 1/2	20' 1/4"	1	1	1	302 1/2	24' 1/4"	1	1	1
10 1/8	1' 0 1/4"	1	1	1	134 1/2	12' 1/4"	1	1	1	190 1/2	16' 1/4"	1	1	1	246 1/2	20' 1/4"	1	1	1	302 1/2	24' 1/4"	1	1	1
10 3/8	1' 0 3/8"	1	1	1	132 1/2	12' 3/8"	1	1	1	188 1/2	15' 3/8"	1	1	1	244 1/2	19' 3/8"	1	1	1	300 1/2	23' 3/8"	1	1	1
10 1/2	1' 0 1/2"	1	1	1	130 1/2	12' 1/2"	1	1	1	186 1/2	15' 1/2"	1	1	1	242 1/2	19' 1/2"	1	1	1	298 1/2	23' 1/2"	1	1	1
10 1/4	1' 0 1/4"	1	1	1	128 1/2	12' 1/4"	1	1	1	184 1/2	15' 1/4"	1	1	1	240 1/2	19' 1/4"	1	1	1	296 1/2	23' 1/4"	1	1	1
10 1/8	1' 0 1/4"	1	1	1	128 1/2	12' 1/4"	1	1	1	184 1/2	15' 1/4"	1	1	1	240 1/2	19' 1/4"	1	1	1	296 1/2	23' 1/4"	1	1	1
10 3/8	1' 0 3/8"	1	1	1	126 1/2	12' 3/8"	1	1	1	182 1/2	14' 3/8"	1	1	1	238 1/2	18' 3/8"	1	1	1	294 1/2	23' 3/8"	1	1	1
10 1/2	1' 0 1/2"	1	1	1	124 1/2	12' 1/2"	1	1	1	180 1/2	14' 1/2"	1	1	1	236 1/2	18' 1/2"	1	1	1	292 1/2	23' 1/2"	1	1	1
10 1/4	1' 0 1/4"	1	1	1	122 1/2	12' 1/4"	1	1	1	178 1/2	14' 1/4"	1	1	1	234 1/2	18' 1/4"	1	1	1	290 1/2	23' 1/4"	1	1	1
10 1/8	1' 0 1/4"	1	1	1	122 1/2	12' 1/4"	1	1	1	178 1/2	14' 1/4"	1	1	1	234 1/2	18' 1/4"	1	1	1	290 1/2	23' 1/4"	1	1	1
10 3/8	1' 0 3/8"	1	1	1	120 1/2	12' 3/8"	1	1	1	176 1/2	13' 3/8"	1	1	1	232 1/2	17' 3/8"	1	1	1	288 1/2	22' 3/8"	1	1	1
10 1/2	1' 0 1/2"	1	1	1	118 1/2	12' 1/2"	1	1	1	174 1/2	13' 1/2"	1	1	1	230 1/2	17' 1/2"	1	1	1	286 1/2	22' 1/2"	1	1	1
10 1/4	1' 0 1/4"	1	1	1	116 1/2	12' 1/4"	1	1	1	172 1/2	13' 1/4"	1	1	1	228 1/2	17' 1/4"	1	1	1	284 1/2	22' 1/4"	1	1	1
10 1/8	1' 0 1/4"	1	1	1	116 1/2	12' 1/4"	1	1	1	172 1/2	13' 1/4"	1	1	1	228 1/2	17' 1/4"	1	1	1	284 1/2	22' 1/4"	1	1	1
10 3/8	1' 0 3/8"	1	1	1	114 1/2	12' 3/8"	1	1	1	170 1/2	12' 3/8"	1	1	1	226 1/2	16' 3/8"	1	1	1	282 1/2	22' 3/8"	1	1	1
10 1/2	1' 0 1/2"	1	1	1	112 1/2	12' 1/2"	1	1	1	168 1/2	12' 1/2"	1	1	1	224 1/2	16' 1/2"	1	1	1	280 1/2	22' 1/2"	1	1	1
10 1/4	1' 0 1/4"	1	1	1	110 1/2	12' 1/4"	1	1	1	166 1/2	12' 1/4"	1	1	1	222 1/2	16' 1/4"	1	1	1	278 1/2	22' 1/4"	1	1	1
10 1/8	1' 0 1/4"	1	1	1	110 1/2	12' 1/4"	1	1	1	166 1/2	12' 1/4"	1	1	1	222 1/2	16' 1/4"	1	1	1	278 1/2	22' 1/4"	1	1	1
10 3/8	1' 0 3/8"	1	1	1	108 1/2	12' 3/8"	1	1	1	164 1/2	11' 3/8"	1	1	1	220 1/2	15' 3/8"	1	1	1	276 1/2	21' 3/8"	1	1	1
10 1/2	1' 0 1/2"	1	1	1	106 1/2	12' 1/2"	1	1	1	162 1/2	11' 1/2"	1	1	1	218 1/2	15' 1/2"	1	1	1	274 1/2	21' 1/2"	1	1	1
10 1/4	1' 0 1/4"	1	1	1	104 1/2	12' 1/4"	1	1	1	160 1/2	11' 1/4"	1	1	1	216 1/2	15' 1/4"	1	1	1	272 1/2	21' 1/4"	1	1	1
10 1/8	1' 0 1/4"	1	1	1	104 1/2	12' 1/4"	1	1	1	160 1/2	11' 1/4"	1	1	1	216 1/2	15' 1/4"	1	1	1	272 1/2	21' 1/4"	1	1	1
10 3/8	1' 0 3/8"	1	1	1	102 1/2	12' 3/8"	1	1	1	158 1/2	10' 3/8"	1	1	1	214 1/2	14' 3/8"	1	1	1	270 1/2	20' 3/8"	1	1	1
10 1/2	1' 0 1/2"	1	1	1	100 1/2	12' 1/2"	1	1	1	156 1/2	10' 1/2"	1	1	1	212 1/2	14' 1/2"	1	1	1	268 1/2	20' 1/2"	1	1	1
10 1/4	1' 0 1/4"	1	1	1	98 1/2	12' 1/4"	1	1	1	154 1/2	10' 1/4"	1	1	1	210 1/2	14' 1/4"	1	1	1	266 1/2	20' 1/4"	1	1	1
10 1/8	1' 0 1/4"	1	1	1	98 1/2	12' 1/4"	1	1	1	154 1/2	10' 1/4"	1	1	1	210 1/2	14' 1/4"	1	1	1	266 1/2	20' 1/4"	1	1	1
10 3/8	1' 0 3/8"	1	1	1	96 1/2	12' 3/8"	1	1	1	152 1/2	9' 3/8"	1	1	1	208 1/2	13' 3/8"	1	1	1	264 1/2	19' 3/8"	1	1	1
10 1/2	1' 0 1/2"	1	1	1	94 1/2	12' 1/2"	1	1	1	150 1/2	9' 1/2"	1	1	1	206 1/2	13' 1/2"	1	1	1	262 1/2	19' 1/2"	1	1	1
10 1/4	1' 0 1/4"	1	1	1	92 1/2	12' 1/4"	1	1	1	148 1/2	9' 1/4"	1	1	1	204 1/2	13' 1/4"	1	1	1	260 1/2	19' 1/4"	1	1	1
10 1/8	1' 0 1/4"	1	1	1	92 1/2	12' 1/4"	1	1	1	148 1/2	9' 1/4"	1	1	1	204 1/2	13' 1/4"	1	1	1	260 1/2	19' 1/4"	1	1	1
10 3/8	1' 0 3/8"	1	1	1	90 1/2	12' 3/8"	1	1	1	146 1/2	8' 3/8"	1	1	1	202 1/2	12' 3/8"	1	1	1	258 1/2	18' 3/8"	1	1	1
10 1/2	1' 0 1/2"	1	1	1	88 1/2	12' 1/2"	1	1	1	144 1/2	8' 1/2"	1	1	1	200 1/2	12' 1/2"	1	1	1	256 1/2	18' 1/2"	1	1	1
10 1/4	1' 0 1/4"	1	1	1	86 1/2	12' 1/4"	1	1	1	142 1/2	8' 1/4"	1	1	1	198 1/2	12' 1/4"	1	1	1	254 1/2	18' 1/4"	1	1	1
10 1/8	1' 0 1/4"	1	1	1	86 1/2	12' 1/4"	1	1	1	142 1/2	8' 1/4"	1	1	1	198 1/2	12' 1/4"	1	1	1	254 1/2	18' 1/4"	1	1	1
10 3/8	1' 0 3/8"	1	1	1	84 1/2	12' 3/8"	1	1	1	140 1/2	7' 3/8"	1	1	1	196 1/2	11' 3/8"	1	1	1	252 1/2	17' 3/8"	1	1	1
10 1/2	1' 0 1/2"	1	1	1	82 1/2	12' 1/2"	1	1	1	138 1/2	7' 1/2"	1	1	1	194 1/2	11' 1/2"	1	1	1	250 1/2	17' 1/2"	1	1	1
10 1/4	1' 0 1/4"	1	1	1	80 1/2	12' 1/4"	1	1	1	136 1/2	7' 1/4"	1	1	1	192 1/2	11' 1/4"	1	1	1	248 1/2	17' 1/4"	1	1	1
10 1/8	1' 0 1/4"	1	1	1	80 1/2	12' 1/4"	1	1	1	136 1/2	7' 1/4"	1	1	1	192 1/2	11' 1/4"	1	1	1	248 1/2	17' 1/4"	1	1	1
10 3/8	1' 0 3/8"	1	1	1	78 1/2	12' 3/8"	1	1	1	134 1/2	6' 3/8"	1	1	1	190 1/2	10' 3/8"	1	1	1	246 1/2	16' 3/8"	1	1	1
10 1/2	1' 0 1/2"	1	1	1	76 1/2	12' 1/2"	1	1	1	132 1/2	6' 1/2"	1	1	1	188 1/2	10' 1/2"	1	1	1	244 1/2	16' 1/2"	1	1	1
10 1/4	1' 0 1/4"	1	1	1	74 1/2	12' 1/4"	1	1	1	130 1/2	6' 1/4"	1	1	1	186 1/2	10' 1/4"	1	1	1	242 1/2	16' 1/4"	1	1	1
10 1/8	1' 0 1/4"	1	1	1	74 1/2	12' 1/4"	1	1	1	130 1/2	6' 1/4"	1	1	1	186 1/2	10' 1/4"	1	1	1	242 1/2	16' 1/4"	1	1	1
10 3/8	1' 0 3/8"	1	1	1	72 1/2	12' 3/8"	1	1	1	128 1/2	5' 3/8"	1	1	1	184 1/2	9' 3/8"	1	1	1	240 1/2	15' 3/8"	1	1	1
10 1/2	1' 0 1/2"	1	1	1	70 1/2	12' 1/2"	1	1	1	126 1/2	5' 1/2"	1	1	1	182 1/2	9' 1/2"	1	1	1	238 1/2	15' 1/2"	1	1	1
10 1/4	1' 0 1/4"	1	1	1	68 1/2	12' 1/4"	1	1	1	124 1/2	5' 1/4"	1	1	1	180 1/2	9' 1/4"	1	1	1	236 1/2	15' 1/4"	1	1	1
10 1/8	1' 0 1/4"	1	1	1	68 1/2	12' 1/4"	1	1	1	124 1/2	5' 1/4"	1	1	1	180 1/2	9' 1/4"	1	1	1	236 1/2	15' 1/4"	1	1	1
10 3/8	1' 0 3/8"	1	1	1	66 1/2	12' 3/8"	1	1	1	122 1/2	4' 3/8"	1	1	1	178 1/2	8' 3/8"	1	1	1	234 1/2	14' 3/8"	1	1	1
10 1/2	1' 0 1/2"	1	1	1	64 1/2	12' 1/2"	1	1	1	120 1/2	4' 1/2"	1	1	1	176 1/2	8' 1/2"	1	1	1	232 1/2	14' 1/2"	1	1	1
10 1/4	1' 0 1/4"	1	1	1	62 1/2	12' 1/4"	1	1	1	118 1/2	4' 1/4"	1	1	1	174 1/2	8' 1/4"	1	1	1	230 1/2	14' 1/4"	1	1	1
10 1/8	1' 0 1/4"	1	1	1	62 1/2	12' 1/4"	1	1	1	118 1/2	4' 1/4"	1	1	1	174 1/2	8' 1/4"	1	1						

TF8 OFFSET ELEVATION CHART (WITH TF8-SS STARTER SECTION)

A	B	TF10-30 10" Offset Elbow	TF8-E30 8" Return Elbow	TF8-SS Starter Section	TF8 12" Flue	TF8 18" Flue	TF8 36" Flue	TF8 48" Flue	A	B	TF10-30 10" Offset Elbow	TF8-E30 8" Return Elbow	TF8-SS Starter Section	TF8 12" Flue	TF8 18" Flue	TF8 36" Flue	TF8 48" Flue
13%	32 1/2"	1	1	1	—	—	—	—	45%	87"	1	1	1	—	1	—	1
19	41"	1	1	1	1	—	—	—	47 1/2%	91"	1	1	1	—	2	1	—
22	46 1/2"	1	1	1	—	1	—	—	48%	92 1/2"	1	1	1	—	—	2	—
24 1/2	50 1/2"	1	1	1	2	—	—	—	49%	94 1/2"	1	1	1	2	1	1	—
27 1/2	56"	1	1	1	1	1	—	—	52	98 1/2"	1	1	1	1	4	—	—
30 1/2	61"	1	1	1	—	2	—	—	53 1/2%	101 1/2"	1	1	1	1	—	2	—
31	62 1/2"	1	1	1	—	—	1	—	54%	102 1/2"	1	1	1	—	—	1	1
32 1/2	65"	1	1	1	2	1	—	—	55%	105 1/2"	1	1	1	—	3	1	—
35 1/2	70 1/2"	1	1	1	1	2	—	—	56 1/2%	106 1/2"	1	1	1	—	1	2	—
36 1/2	71 1/2"	1	1	1	1	—	1	—	58%	110 1/2"	1	1	1	2	—	2	—
37	72 1/2"	1	1	1	—	—	—	1	59 1/2%	111 1/2"	1	1	1	1	—	1	1
38 1/2	75 1/2"	1	1	1	—	3	—	—	60%	113"	1	1	1	—	—	—	2
39 1/2	76 1/2"	1	1	1	—	1	1	—	61 1/2%	115 1/2"	1	1	1	1	1	2	—
41 1/2	80 1/2"	1	1	1	2	—	1	—	64%	120 1/2"	1	1	1	—	2	2	—
42 1/2	81 1/2"	1	1	1	1	—	—	1	65 1/2%	122 1/2"	1	1	1	1	—	—	2
44 1/2	85 1/2"	1	1	1	1	1	1	—	67	124 1/2"	1	1	1	2	1	2	—

TF10 OFFSET ELEVATION CHART

Inches A	Inches B	mm A	mm B	TF10-30 Offset Elbow	TF10-E30 Return Elbow	TF10- 32" Flue	TF10- 36" Flue	TF10- 48" Flue
4	15	102	381	1	1			
9 1/2	24	235	610	1	1	1		
12 1/2	29 1/2	318	743	1	1		1	
14 1/2	33 1/2	368	845	1	1	2		
17 1/2	38 1/2	445	978	1	1	1	1	
20 1/2	43 1/2	521	1105	1	1		2	
21 1/2	45	540	1143	1	1			1
22 1/2	47 1/2	578	1207	1	1	2	1	
25 1/2	52 1/2	654	1340	1	1	1	2	
26 1/2	54	673	1372	1	1	1	1	1
28 1/2	58	730	1473	1	1		3	
29 1/2	59 1/2	748	1511	1	1		1	1
34 1/2	68 1/2	880	1734	1	1	1	1	1
38 1/2	74 1/2	978	1899	1	1			2
42 1/2	81 1/2	1073	2064	1	1	1	4	
43 1/2	83 1/2	1111	2127	1	1	1		2
46	87 1/2	1168	2229	1	1		3	1
46 1/2	89	1187	2261	1	1		1	2
49	90	1245	2362	1	1	2		2
52	98 1/2	1321	2496	1	1	1	2	
55	103 1/2	1397	2620	1	1	2	2	
55 1/2	104 1/2	1416	2661	1	1			2
57 1/2	107 1/2	1454	2724	1	1	2	1	2
61	113 1/2	1549	2889	1	1	1		2

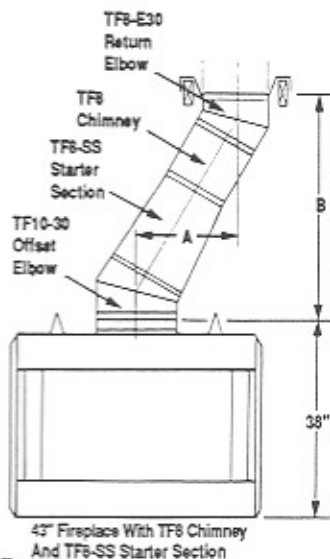


Figure 37

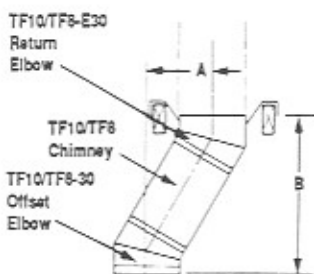


Figure 38

SPECIAL OFFSET INSTRUCTIONS

To clear any overhead obstructions, you may offset your chimney system using Superior 30° offset and return elbows. Use two elbows - an offset elbow to initiate the offset and a return elbow to terminate it.

The offset and return elbows may be attached together, or a section or sections of chimney may be used between, but do not exceed 20' (6.1m) in total length between elbows. When offsetting directly off Model CF-4360, always use a TF10-30 offset elbow. The TF8-SS starter section may then be used as a transition to the TF8 chimney system. If sections of pipe exceed 10' (3m) between elbows, a chimney stabilizer must be used at the midpoint. The stabilizer support straps must be attached under tension (in shear) to structural framing members above. When two sets of elbows are used, the maximum combined length of chimney used between elbows cannot exceed 20' (6.1m) (Figure 40). Example: If C1 = 10' (3m) then C2 cannot exceed 10' (3m). A 30° offset elbow, angling in any direction, may be the first component used off the top of the fireplace flue collar.

Maximum offset of chimney system in the U.S. is 30°. In Canada, the maximum offset is 45°. Refer to the Canadian installation addendum for specific information and application. Two offsets must not be assembled to form a 60° offset. However, two sets of offset and return elbows may be used on a single flue system, provided the total height of the system exceeds 25' (7.5m).

Return elbow support straps must be securely attached under tension (in shear) to structural framing members above. Do not substitute a TF8-30 or TF10-30 offset elbow in place of a TF8-E30 or TF10-E30 return elbow.

OFFSET CALCULATIONS

1. Use Offset Chart to determine amount of horizontal offset (A) and height (B) for various chimney section assemblies.
2. Use "Height of Flue Only" column in The Vertical Elevation Chart to determine combinations of chimney used above return elbow to achieve desired heights. Reference Components Effective Height Chart in vertical elevation chart section.
3. Use Elevation Chart as job estimator only. Add necessary firestop spacers and stabilizers as required. Firestop spacers must be used as shown in Figures 22 and 23 and stabilizers as shown in Figure 27.

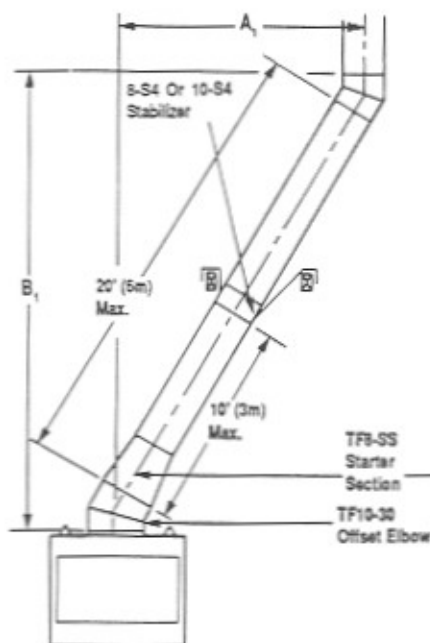


Figure 39

TO INSTALL OFFSETS

First, review Chimney Offset Elevation Chart and Figures 37 and 38 on page 12 for reference.

Step 1. Select desired chimney system; TF8 (203mm) for CF-3860 and 38H, TF8 or TF10 (203 mm or 259mm) for CF-4360. Determine the offset distance where chimney is to pass through the first ceiling-dimension "A". To find this point on your ceiling, first determine the center point for a vertical chimney following the instructions for vertical installation.

Measure height to the ceiling from the top of fireplace-dimension "B". Use Offset Elevation Chart to find dimension "A". Mark point where you will drive your nail to show the center point for your offset ceiling cut.

Step 2. Proceed by using the Straight Up Installation Instructions for cutting and framing ceiling and roof openings.

Note: See Framing and Dimension Chart for the sizes of the ceiling and roof openings. The size of the roof opening varies with the degree of pitch of the roof.

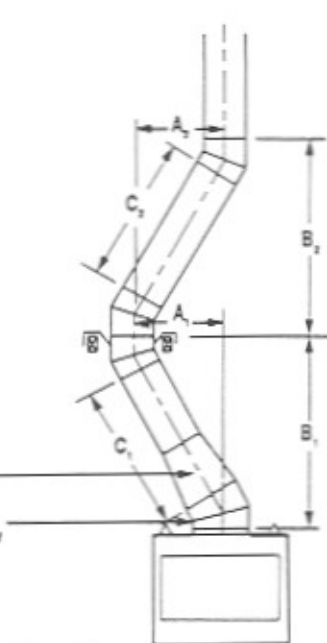


Figure 40

OFFSET ELBOW ASSEMBLY

Offset elbows install the same as chimney sections. First, snap the inner section INTO the preceding inner section of flue. Check connection by pulling up slightly to ensure a tight fit. Next, the outer sections snap lock OVER the preceding outer section of chimney. Again, check outer section by pulling up slightly to ensure proper connection is made.

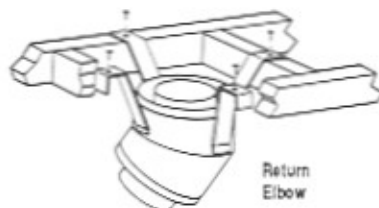


Figure 42

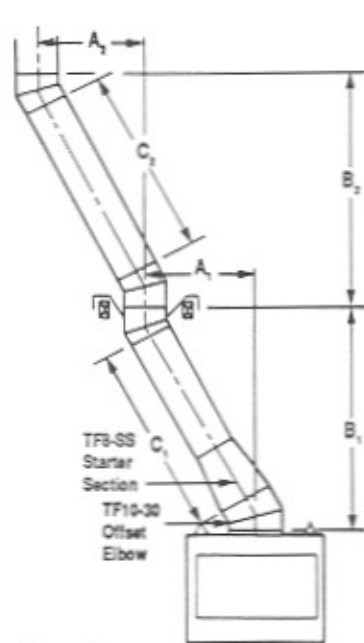


Figure 41

RETURN ELBOW ASSEMBLY

Return elbows install the same way as round terminations and stabilizers:

Step 1. Hold return elbow over top of last chimney section.

Step 2. Center inner slip section into inner flue pipe-slip down.

Step 3. Center outer-locking section over outer chimney pipe. Push down until locking joint has firmly engaged.

Step 4. Pull up slightly on return elbow to ensure locking joint has firmly engaged.

Step 5. Secure support straps to framing members by nailing under tension in shear.

Note: The return elbow performs the same function as a stabilizer. Consider this when determining the need for a stabilizer.

Note: Do not apply excessive pressure to any subsequent chimney section following return elbow assembly when installing. Ensure that each subsequent chimney section is securely attached by testing as noted above.

TF8 AND TF10-OR15 OFFSET/RETURN ELBOWS

Primarily used when fireplace penetrates a 6" (152mm) thick wall. Refer to installation instructions packed with TF8-OR15 and TF10-OR15 for proper usage.

CHIMNEY OFFSET 30° THROUGH FLOOR OR CEILING

It may be necessary to assemble the chimney at 30° when passing through the floor or ceiling area. Use appropriate 30° angled firestop spacer as shown in Figures 43 and 44. Support the chimney at floor or ceiling penetration with a stabilizer if distance of chimney below ceiling is 10' (3m) or more. Maintain 1" (25mm)** (See **Note) minimum air space to combustibles from chimney sections.

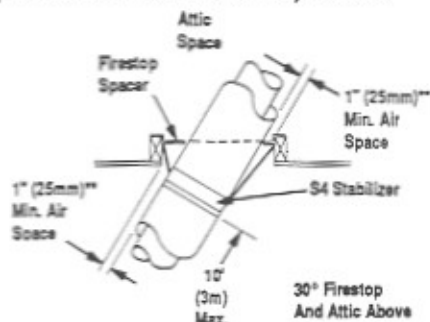


Figure 43

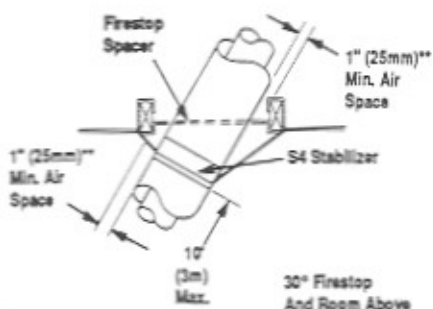


Figure 44

ACCESSORIES

Optional Glass Doors

If glass doors are to be installed on this system, refer to specific installation instructions packed with the glass doors. Superior glass doors, Model numbers 38-GD, 43-GD, 38GD-AB, 43GD-AB, 38C-PB, 43C-PB, 38BF-AB, 43BF-AB, 40BFE-AB, 45BFE-AB, 38BF, 43BF, 38BFT, 43BFT, 38BF-PB, 43BF-PB, 38BF-SPB, 43BF-SPB, 38BFT-SPB and 43BFT-SPB are for use only on these Superior and Hearthstar factory-built fireplaces. Use of other non-listed glass door on these fireplaces may constitute a potential fire hazard and are not recommended.

CAUTION: DO NOT ATTEMPT TO TOUCH THE DOORS WITH YOUR HANDS WHILE THE FIREPLACE IS IN USE. ALWAYS USE DOOR HANDLES. DOORS WILL BECOME VERY HOT WHEN FIREPLACE IS IN USE.

**Note: 2" (51mm) when installing in Canada and 2" when installing TF8 chimney on Model CF-4360.

WARNING: FIREPLACES EQUIPPED WITH DOORS SHOULD BE OPERATED ONLY WITH THE DOORS FULLY OPEN OR FULLY CLOSED.

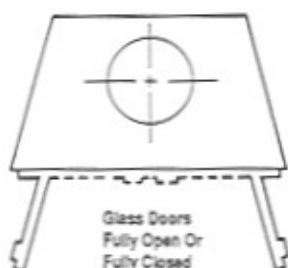


Figure 45

CAUTION: CERTAIN GLASS DOORS OVERLAP THE BLACK METAL FACING OF THE FIREPLACE. IF THE FIREPLACE HAS BEEN FACED WITH NON-COMBUSTIBLE MATERIALS, THERE MIGHT NOT BE SUFFICIENT CLEARANCE TO INSTALL THE GLASS DOORS OF YOUR CHOICE. ENSURE ADEQUATE CLEARANCE IS MAINTAINED AT ALL TIMES SO AS NOT TO INTERFERE WITH THE INSTALLATION AND OPERATION OF GLASS DOORS.

Optional Combustion Air Kit

Use combustion air kit, Model AK-4, with the CF and H Series fireplaces. Refer to installation instructions packed with the AK-4 air kit for specific installation information. The outside air kit must be installed before the fireplace is framed and enclosed in the finished walls.

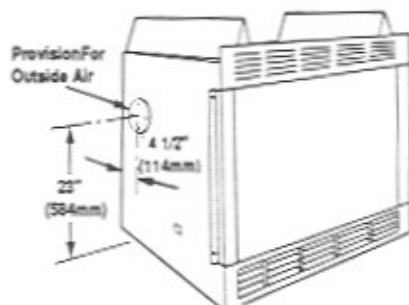


Figure 46

Outside air drawn into the fireplace supplies air to the fire for combustion. Only one combustion air duct on the left side of the fireplace is necessary if installed.

If additional length of duct is necessary, purchase locally available U.L. Class 1 aluminum ducting. The duct may extend up to 50' (15.24m) in any direction.

Note: When installing the air duct vertically, DO NOT terminate the duct closer than 3' below the chimney top.

There is a one hand operated shut-off valve located in the left side of the fireplace opening behind the screen. To open, pull out all the way. The combustion air damper should be fully open when the fireplace is in use and fully closed when the fireplace is not in operation to prevent outside air from entering your home.

CAUTION: NEVER LOCATE INLET WHERE IT CAN BE BLOCKED BY SHRUBS, SNOWDRIFTS, ETC. NEVER LOCATE INLET IN GARAGE OR ANY AREA WHERE THERE IS ANOTHER FUEL BURNING APPLIANCE OR PRODUCTS EMITTING COMBUSTIBLE GASES SUCH AS PAINT, GASOLINE, ETC. IN COLD CLIMATES IT IS RECOMMENDED THE COMBUSTION AIR DUCT BE INSULATED.

Outside combustion air ducting may be run upwards or vertically through framing and ceiling joists, with the hood installed through an outside wall and 3' below the termination. Ducting may also be run downward through floor joists and under the home to a ventilated crawlspace not considered part of the living area of the home.

Note: Do not terminate combustion air kit in attic space under any circumstances.

A take-off boot adapter, Model TOB, may be used in conjunction with the AK-4 to reduce the framing dimensions when installing the fireplace diagonally in a corner (Figure 47). Refer to installation instructions packed with the TOB for specific installation information.

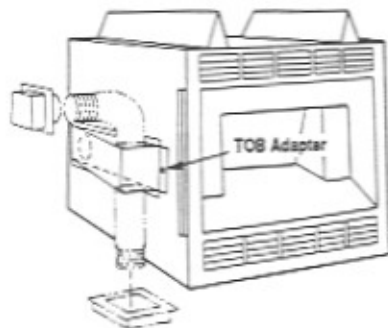


Figure 47

FORCED AIR KIT ELECTRICAL CONNECTION

If you are installing a Superior forced air kit, Model FAK-1500, see the instruction sheet provided with the kit for electrical wiring requirements. The fireplace has been pre-wired at the factory but must be connected to main power supply at the time of installation if the FAK-1500 is to be installed later. Use Superior's fan adapter kit, Model CF-ADK, to allow the fireplace to be connected to the main power supply. The electrical connections must be made before the fireplace is framed and enclosed in the finished walls.

CAUTION: ELECTRICAL CONNECTIONS SHOULD ONLY BE PERFORMED BY A QUALIFIED, LICENSED ELECTRICIAN. MAIN POWER MUST BE OFF WHEN CONNECTING FANS TO MAIN ELECTRICAL POWER SUPPLY OR PERFORMING SERVICE.

GAS LINE

This provision is intended only for connection to a decorative gas appliance incorporating an automatic shut-off device and complying with the Standard for Decorative Gas Appliances for Installation in Vented Fireplaces. Install in accordance with the National Fuel Gas Code, ANSI Z 223.1; or CAN 1-B149 for Canadian installations.

CAUTION: PLUMBING CONNECTIONS SHOULD ONLY BE PERFORMED BY A QUALIFIED, LICENSED PLUMBER. MAIN GAS SUPPLY MUST BE OFF WHEN PLUMBING GAS LINE TO FIREPLACE OR PERFORMING SERVICE.

If you're installing a gas line, connect it before the fireplace is framed and enclosed in the finished wall. The gas knockout is determined by a 1 1/8" (29mm) round indentation located at the bottom and slightly off center in the side refractories. THE KNOCKOUT IS ALWAYS REMOVED FROM INSIDE THE FIREPLACE. DO NOT REMOVE THE KNOCKOUT UNLESS YOU ARE INSTALLING A GAS LINE. If removal is attempted from the outer wrapper, side refractory damage may occur. With a medium-sized hammer, lightly tap the surface of the indentation. The refractory material is very thin in this area and is easily removed. Once a small hole has been made, continue tapping until you have reached sufficient diameter for the gas line to fit through. The entire knockout does not have to be removed. Remove insulation in the gas line channel.

Install only a 1/2" (13mm) black iron pipe through fireplace wall for connection to a decorative gas appliance inside the firebox. Outside, the iron pipe connects to a gas shut-off valve recessed flush into the wall or floor. The valve should be controlled by a removable valve key for safety.

Always plumb gas line installation per local codes. Check all connections with soap suds; leaks will bubble. Never test any gas line connection with a match or open flame.

IMPORTANT: RE-PACK INSULATION MATERIAL IN SQUARE HOLE AROUND GAS LINE, INTERIOR AND EXTERIOR; TO SEAL.

CAUTION: WHEN USING THE DECORATIVE GAS APPLIANCE, THE FIREPLACE DAMPER MUST BE SET IN THE FULLY OPEN POSITION.

COLD CLIMATE INSULATION

If you live in a cold climate, it is especially important to seal all cracks around the fireplace opening with non-combustible material and wherever cold air could enter the room. Surrounding materials must be caulked where it meets the black metal facing of the fireplace to avoid cold air intrusion. Use non-combustible caulking material only on fireplace facing to seal. Also, the outside air inlet duct should be wrapped with non-combustible insulation to minimize the formation of condensation. Do not place insulation materials against chimney sections. We strongly recommend that the CF-ADK adapter kit be purchased and installed on these fireplaces. This kit will help prevent outside intrusion air from entering the room through the fireplace.

Note: A 1" (See "Note") air space must be preserved for all combustible materials extending for any continuous length adjacent to the chimney.

It is especially important to insulate between the studs of an outside chase cavity and under the floor if the floor is above ground level. Do not place insulation directly against the fireplace or chimney system.

FIREPLACE FINISHES, HEARTH EXTENSIONS, WALL SHIELDS Framing

It is sometimes best to frame your fireplace after it is positioned and the chimney is installed. Frame enclosure for chimney and fireplace with 2 x 4's (51 x 102 mm) (or heavier) lumber.

Note: The header may rest on the two (2) metal spacers on top of the unit but the header must not be notched to fit around the spacers.

The CF and H Series may sit directly on a combustible surface. A 1" (25mm) (See "Note") air space is required between combustible framing and the chimney. In Canada, the minimum height for a combustible mantel is 18" (457mm) above the fireplace opening. Figure 48 shows typical Canadian installation. In installations other than Canada, combustible mantels and trim may be installed 12" above the fireplace opening as per NFPA 211 section 7-3.3.3. and Figure 49. If a mantel is of a non-combustible material, it is exempt from these requirements as long as it does not interfere with the installation or operation of glass doors or block the inlets and outlets.

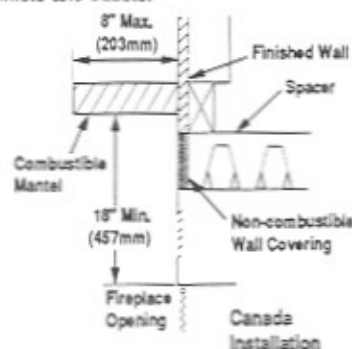


Figure 48

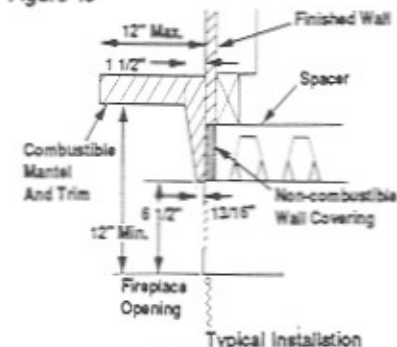


Figure 49

HEARTH EXTENSIONS AND WALL SHIELDS

A hearth extension must be installed with all fireplaces. It is to protect the floor in front of the fireplace from both radiant heat and sparks. For Models CF-3860 and 38H, the hearth extension must extend 8" (203mm) beyond both sides of the fireplace opening and 16" (406mm) beyond the front. For Model CF-4360, the hearth extension must extend 12" (305mm) beyond both sides of the fireplace opening and 20" (508mm) beyond the front. Use the metal hearth extension, Model HE-36, with these fireplaces or a 1/2" minimum thickness of a durable non-combustible material with an equal or greater insulating value than $K= .84 \text{ BTU-in/FT}^2\text{-HR-F}^{\circ}$ or a thermal resistance that equals or exceeds $R=1.19 \text{ HR-F}^{\circ}\text{-FT}^2 / \text{BTU-in}$.

****Note:** 2" (51mm) when installing in Canada and 2" when installing TF8 chimney on Model CF-4360.

Note: Any non-combustible material whose K value is less than .84 or whose R value is more than 1.19 is acceptable.

If the fireplace is installed on a combustible floor, use the metal safety strips (provided) on the floor extending half under the fireplace and half under the hearth extension

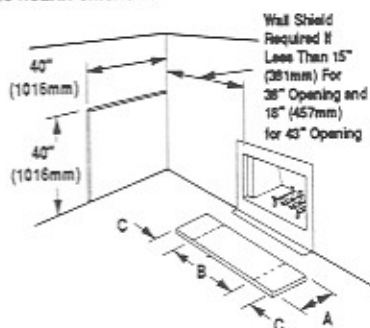


Figure 50

HEARTH EXTENSION DIMENSIONS

Opening Width	38"	43"
A	16" (406mm)	20" (508mm)
B	38" (965mm)	43" (1092mm)
C	8" (203mm)	12" (305mm)

METHODS OF DETERMINING HEARTH EXTENSION EQUIVALENTS

To determine the thickness required for any material when either the K or R values are known:

$$T_M (\text{inches}) = \frac{K_M}{.84} \times T_R$$

$$\text{or } T_M = \frac{1.19}{R_M} \times T_R$$

T_M = Thickness of material in inches
 K_M = K value of material
 R_M = R value of material
 T_R = Minimum thickness required

ALTERNATE HEARTH EXTENSION MATERIALS

MATERIAL	K	R	1/2"
Millboard	0.84	1.19	1/2"
Common Brick	5.00	0.20	3"
Micore CV230 (U.S. Gypsum Corp.)	0.43	2.33	1/4"
Ceraform 126 (John Manville)	0.27	3.70	1/4"

EXAMPLE:

Ceraform 126 is to be used on a CF-3860 fireplace. How thick must the hearth extension be?

Using the formula:

Using K

$$T_M (\text{Inches}) = \frac{K_M}{.84} \times T_R$$

$$T_M (\text{inches}) = \frac{0.27}{.84} \times 1/2''$$

Answer using K

$$= 0.32 \times 1/2'' = 0.16 \text{ inches or } 1/4''$$

Using R

$$T_M (\text{inches}) = \frac{1.19}{R_M} \times T_R$$

$$T_M (\text{inches}) = \frac{1.19}{3.70} \times 1/2''$$

Answer using R

$$= 0.32 \times 1/2'' = 0.16 \text{ inches or } 1/4''$$

*value taken from chart

**Min. thickness per requirements

These materials can then be covered with a decorative non-combustible material.

WARNING: THE CRACK BETWEEN THE FIREPLACE AND THE HEARTH EXTENSION MUST BE SEALED WITH A NON-COMBUSTIBLE MATERIAL.

WARNING: WHEN INSTALLING THE HEARTH EXTENSION BE CAREFUL NOT TO BLOCK THE HEAT CIRCULATING AIR INLET GRILL.

WARNING: FIREPLACE MUST BE RAISED IF HEIGHT OF HEARTH EXTENSION EXCEEDS 1 1/2" (38MM) ABOVE BOTTOM OF FIREPLACE (FIGURE 51).

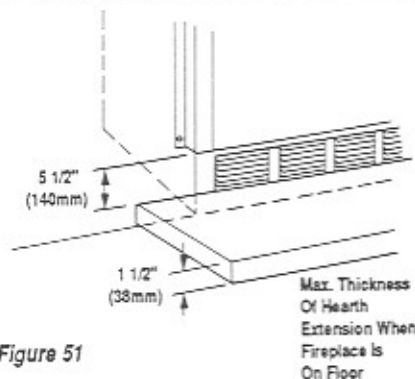


Figure 51

Secure the hearth extension to the floor to prevent possible shifting.

If a continuous perpendicular side wall is closer than 15" (381mm) to the fireplace opening on the CF-3860 or 38H and 18" (457mm) to the fireplace opening on the CF-4360 a wall shield is required. Use metal wall shield, Model WS40, manufactured by Superior Fireplace Company or construct a 40" x 40" x 1/2" (1016mm x 1016mm x 13mm) wall shield made of millboard or a durable non-combustible material with equal or greater insulating value than K=.84 BTU-IN./SQ.FT.-HR.-°F. In no case shall a continuous perpendicular side wall be closer to the fireplace opening than 8" (203mm).

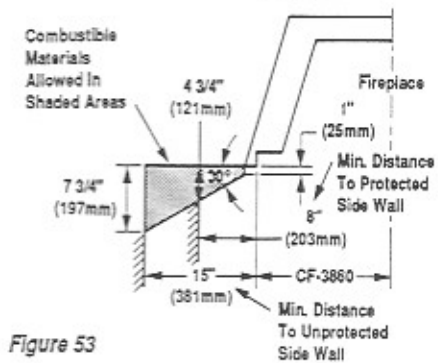
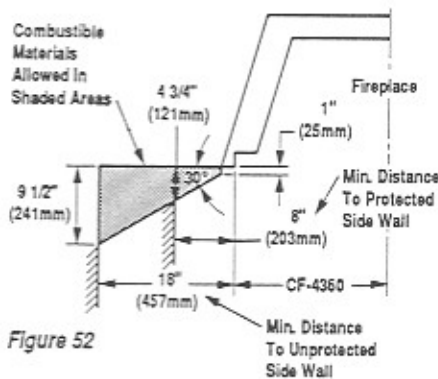
If fireplace is installed diagonally across a 90° corner; no wall shields are required.

FINISH TO YOUR TASTE

There are a wide variety of "finished looks" for your CF and H Series; from formal wall decor with elaborate mantels to rustic wood paneling to warm brick facings.

Only non-combustible materials like stone, tile, brick, etc. may overlap the black front facing but be sure not to interfere with the installation and operation of glass doors or block the upper or lower grilles. Seal all joints between the black facing and wall surrounds to prevent air intrusion. Use non-combustible caulking material only to seal the black metal facing to the surround material on the finished wall.

Combustible materials may project beyond the sides of the fireplace opening as long as they are kept within the shaded areas illustrated in Figures 52 and 53.

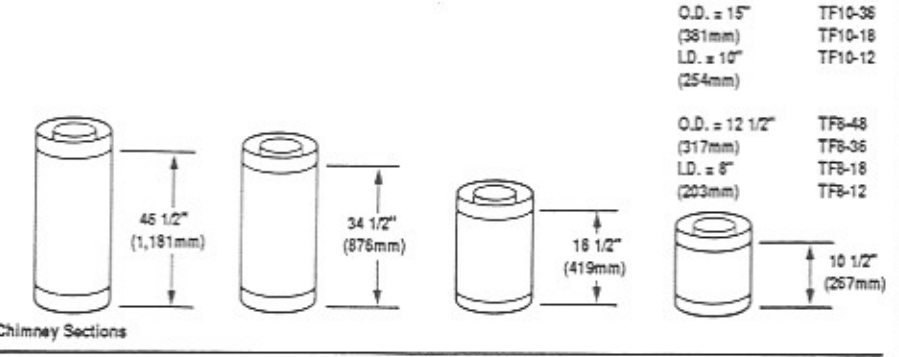
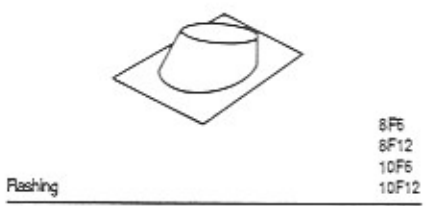
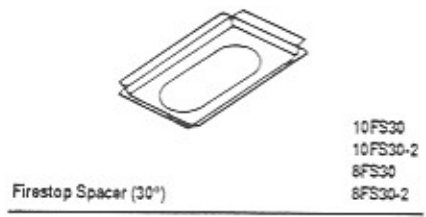
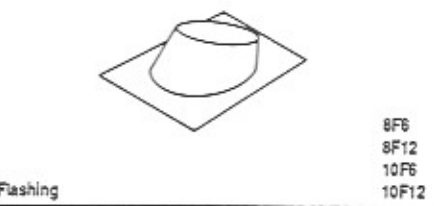
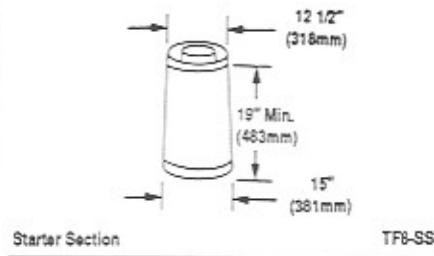


SUPERIOR ACCESSORY PARTS COMPONENTS LIST FOR CF AND H SERIES FIREPLACES

The following accessory parts and components are to be used only with your Superior fireplace system. Separate installation instructions are packaged with all combustion air kits, forced air kits and chimney terminations.

If you encounter any problems or have questions concerning the installation or application of this system, please contact your distributor or:

SUPERIOR FIREPLACE COMPANY
 4325 Artesia Ave
 Fullerton, California 92633
 714-521-7302



NOTE: DIAGRAMS & ILLUSTRATIONS NOT TO SCALE



Contents:
4-TF10-36
1-10FS
1-10FB
1-TF10-CTD

Chimney Pack
Conventional



Contents:
3-TF8-36
1-8FS
1-8FB
1-TF8-CTD

Chimney Pack
Conventional

TF8-CP7



Chimney Termination (Square)

TF10-CT2
TF8-CT2



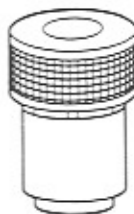
Chimney Termination

TF10-CT1
TF8-CT1



Round Termination

TF10-CTD
TF8-CTD



Chimney Termination (Round)

TF10-CTDT
TF8-CTDT

Note: Not a
U.L. listed
accessory.



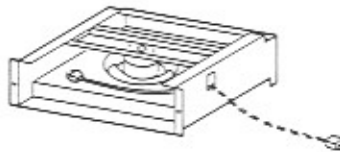
Chimney Collar
Enclosure Kit

TF10-CCEK
TF8-CCEK



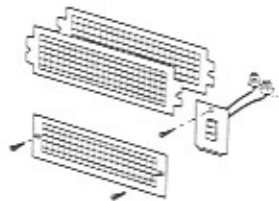
Combustion Air Kit

AK-4



Forced Air Kit

FAK-1500



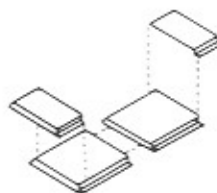
Fan Adapter Kit

CF-ADK



Wall Shield

WS40



Hearth Extension

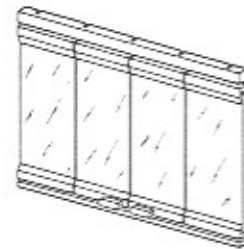
HE-36



Refractory Patch Kit

RPK

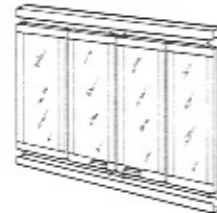
Note: The Bi-Fold glass doors overlap the frame around the fireplace opening. Allow 1/16" clearance top, bottom, and each side when applying facing materials.



38BF
43BF
38BFT
43BFT
38BF-PB
43BF-PB
38BF-SPB
43BF-SPB
38BFT-SPB
43BFT-SPB
38BF-ABR
43BF-ABR

Bi-Fold *ALL-GLASS™ Doors

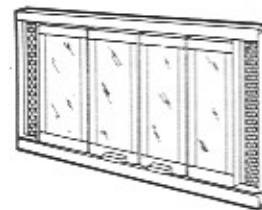
Note: The Bi-Fold glass doors overlap the frame around the fireplace opening. Allow 1/16" clearance top, bottom, and each side when applying facing materials.



Bi-Fold

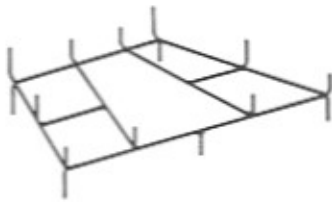
40BFE-AB
45BFE-AB

Note: The Bi-Fold glass doors overlap the frame around the fireplace opening. Allow 1/16" clearance top, bottom, and each side when applying facing materials.



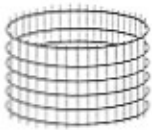
Bi-Fold (Traditional)

38BF-AB
43BF-AB



Steel Bar Grate

SGR-3843



Spark Arrester
(CT2 Terminations)

SA-2