

Owner's Manual

Residential Factory Built Fireplace

Operation • Maintenance • Installation

The **CHAMELEON**



Keep these instructions for future use.

RSF

WOODBURNING FIREPLACES



Dear Customer,

The CHAMELEON combines technology and elegance to give you a beautiful view of the fire without compromising on heating efficiency or environmental quality.

We have designed your new CHAMELEON to be easy to install, operate and maintain. It is in your best interest to become familiar with its operation. Study your manual to be sure that it is installed correctly, then follow the guidelines for operation and maintenance.

We at RSF Woodburning Fireplaces congratulate you on your choice of the CHAMELEON, and are confident that you have purchased a fireplace that is, *simply the best*.

Sincerely,

The RSF Woodburning Fireplace Team
July 2005

TABLE OF CONTENTS

SAFETY FIRST	10	Ceiling Clearance
3 Do's and Don'ts	10	Outside Air Duct
3 Creosote: Formation and Removal	10	Chimney
	11	Chimney Installation
GENERAL SPECIFICATIONS	12	Offset Chimney
4 Combustion Control System	13	Chase Enclosure
4 CHAMELEON Options	13	Framing
	13	Hearth Extension
OPERATION	13	Beneath Hearth Extension
5 Air Controls	14	Mantel
5 Lighting	14	Door Installation
5 First Fire	14	Facing Installation
5 Refueling	15	Mandatory Options with the Clean Facing
	15	Refractory Brick Installation
MAINTENANCE		FIREPLACE OPTIONS
6 Cleaning		17 Fireplace Options
6 Paint		
6 Glass Cleaning		LABEL
6 Chimney Cleaning		18 Label
6 Disposal of Ashes		
6 Door Adjustment		WARRANTY
INSTALLATION		19 Warranty
8 General Installation Illustration		
9 Location		

SAFETY FIRST

DO'S AND DON'TS

If this fireplace is not properly installed, a house fire could result. For your safety, follow the installation directions. Contact your local authority having jurisdiction (such as municipal building department, fire department, fire prevention bureau, etc.) regarding restrictions and installation requirements, and the need to obtain a permit.

NOTE: We strongly recommend installers to be certified by NFI in the US or WETT in Canada.

To ANYONE using this fireplace:

These **DO's** and **DO NOTs** are for your safety.

1. **DO** read this instruction manual before lighting your first fire.
2. **DO** burn seasoned wood fuel or densified fuel logs (one at a time).
3. To avoid glass breakage, **DO NOT** slam the fireplace door.
4. **DO NOT** use gasoline-type lantern fuel, kerosene, charcoal lighter fluid or similar liquids to start or freshen up a fire in this fireplace. Keep all such liquids well away from the fireplace.
5. **DO NOT overfire the fireplace. If you are unable to slow down the burning rate of the fire or it glows red, you are overfiring the fireplace.**
6. **DO** operate the fireplace with doors either fully closed or fully open with the firescreen. If the door is left partly open, gas and flame can be drawn out of the fireplace opening, creating risks of both fire and smoke damage.
7. **If you use the fireplace with the door wide open, install a firescreen (FO-FSC2) to prevent logs and sparks from burning your floor. Under no circumstances should the fireplace be used without either the door closed or the firescreen installed.**
8. **DO** keep all combustible materials (furniture, firewood, etc.) at least 4 feet away from the front of the fireplace.
9. **DO NOT** use a fireplace grate or other products not specified for use with this fireplace.
10. **If you have the ash pan installed as an option (FO-CAP) : always verify that your ash pan and ash pan plug are in place before igniting a fire.**

CREOSOTE: FORMATION AND REMOVAL

When wood is burned slowly, it produces tar and other organic vapors which combine with the expelled moisture from the wood to form creosote. The creosote vapors can condense in the relatively cool chimney of a slow burning fire. When ignited, this creosote makes an extremely hot fire. The chimney should be inspected periodically during the heating season to see if a creosote build-up has occurred. If a significant layer of creosote has accumulated (1/4" or more), it should be removed to reduce the risk of chimney fire.

WARNING: BURN DRY WOOD ONLY.

DO NOT BURN:

- DRIFTWOOD
- TREATED WOOD
- COAL
- GARBAGE
- PLASTIC

Do not use construction scraps (e.g. 2 x 4 or plywood scraps) as your only supply of fuel as you can overheat and seriously damage the fireplace. Do not use more than 1 densified fuel logs (e.g. Presto Logs) at a time and only with a firescreen on the fireplace. Use only firelogs that have been evaluated for fireplace use. In Canada, they should meet the requirements of ULC/ORD-C127-M1990. Refer to the firelog warnings and caution markings prior to use.

GENERAL SPECIFICATIONS & USE

The CHAMELEON fireplace is environmentally friendly as well as efficient. It is approved by the United States Environmental Agency (EPA) at an emission rate of 4.0 grams per hour.

THE COMBUSTION CONTROL SYSTEM

Since the door is sealed, all combustion air must come through the primary air control. For the first few days, we recommend that you operate the fireplace with the primary air control fully open (right handle pushed to the left). Just control the fire as you would any normal fireplace using one or two logs at a time for a smaller fire, or more logs for more heat. Once you become familiar with operating the fireplace with the control open, you can start experimenting with lower settings.

CHAMELEON OPTIONS

The facing is mandatory on the CHAMELEON but two different type of facings are available: Clean Facing (FO-CAMF-4) or Classic Facing (FO-CAMF-5). The Clean Facing can either be left with the black metal exposed or covered with non-combustible material. With this facing, at least one Gravity Vent Kit (FO-VCT) and one Intake Duct (FO-CID) must be installed. The Classic Facing comes with an upper and a bottom louver. Like the Clean Facing, the Classic Facing can be left with the black metal exposed or covered (with the exception of the louvers) with non-combustible material.

The door is also a mandatory option on the CHAMELEON. To help you harmonize your fireplace into your decor, we offer a selection of door styles and colors: Cathedral (FO-TZDC) (in black only), black (FO-TZDB), gold (FO-TZDG) and pewter (FO-TZDP).

The size and shape of your home and how you intend to use your fireplace will determine which other options you require. For a basic high-efficiency fireplace you don't need any options or electricity.

For increased air circulation and marginally more heat output you can add the Circulating Internal Blower (FO-FDHB8) with the Classic Facing or the Inline Fan (FO-CIF) with the Clean Facing.

NOTE: It will be difficult to install the internal blower if wiring is not installed during framing. If there is any chance that this option will be installed in the future then suitable wiring should be run to the fireplace and to a switch box at a convenient place on the wall for mounting the blower control.

If you have rooms directly above or adjacent to the room with the fireplace that you would like to heat, you may want to consider the Gravity Vent Kit (FO-VCT). The gravity vent distributes hot air to these rooms and requires no blower to assist its operation.

To remove accumulated ashes from the firebox, simply shovel them in to a metal container. If you have the Classic Facing (FO-CAMF-5) you may find the optional CHAMELEON Ash Pan Kit (FO-CAP) very convenient. You remove the plug from the firebox and sweep the ashes into a hole to the ash pan. When the ash pan is full, simply remove the ash pan by the bottom louver and dispose of the ashes properly.

This fireplace has been specially designed to combine high efficiency with the elegance of a woodburning fire. Most often you will take advantage of the high efficiency and the control possible with your new CHAMELEON woodburning fireplace. If you would like to enjoy the sight and sound of an open fireplace, or simply have less heat output in warmer weather you may wish to install the optional CHAMELEON Firescreen (FO-FSC2).

Detailed installation instructions are included in the box with each option. These can also be obtained from our Internet Web Site "www.icc-rsf.com".

WARNING: THIS FIREPLACE HAS NOT BEEN TESTED WITH AN UNVENTED GAS LOG SET. TO REDUCE RISK OF FIRE OR INJURY, DO NOT INSTALL AN UNVENTED GAS LOG SET INTO THIS FIREPLACE. DO NOT INSTALL A GAZ LIGHTER BECAUSE THE HEAT PRODUCED BY THE FIREPLACE WILL PERMANENTLY DAMAGE THE GAZ LIGHTER

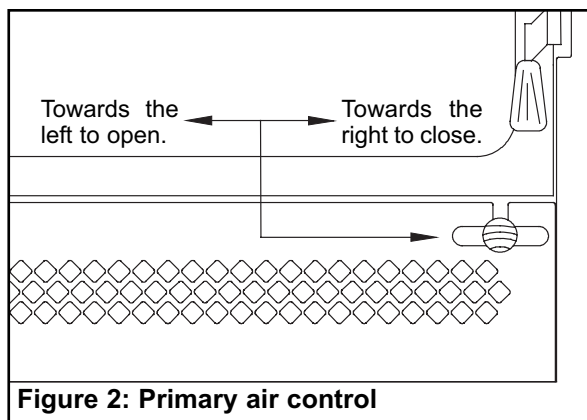
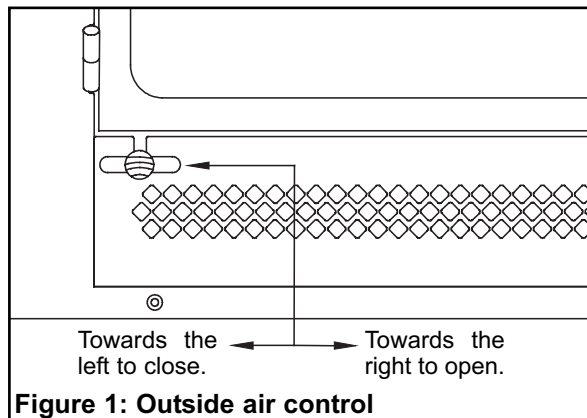
OPERATION

AIR CONTROLS

The CHAMELEON is designed to use outside air for combustion. The control for the outside air is located on the left side, underneath the door (see Figure 1). Pushing the control handle to the far right will completely open the outside air damper and allow fresh air into the base of the fireplace. Because outside air is generally colder and denser it will help to start the fire. In some cases this fresh air will also help compensate for negative pressure problems within the house; however it will not prevent the fireplace from smoking in a severely depressurized house.

We recommend always using outside air for combustion but you may choose to use room air for combustion instead. To do so, push the control handle to the far left. You can even "lock" the damper in the closed position by pushing the control handle to the far left and then up. The control handle will then latch in the closed position. To unlock the outside air damper, push the control handle towards the left and down before moving it toward the right to open it. This control should be closed when the fireplace isn't burning to prevent cold air infiltration.

The combustion air control handle is located on the right side, under the door (see Figure 2). When the handle is to the far left, the control is fully open and the fire will burn more quickly. When the handle is to the far right, it is fully closed and the fire will burn more slowly. Any setting in between will allow you to fine tune the fire and output of the unit.



LIGHTING

Before starting a fire, make sure to completely open the primary air control. It is located on the right side underneath the door and it should be pushed completely to the left. Light a fire in the fireplace, starting with paper and kindling only. Then add three or four pieces of wood, about 3" diameter. After the fire is established, close the door. Never use any flammable liquids. Once a coal bed is established, add standard cord wood. Leave the draft control open until the fire is well lit, then adjust it to the level you desire.

WARNING: DO NOT USE A GRATE OR ELEVATE THE FIRE.

THE FIRST FIRE

You will experience a slow start-up during the first few fires. The refractory bricks contain moisture from manufacturing and require a few hot fires to evaporate the moisture. While there is still moisture in the bricks, the bricks will be black with smoke deposits. When the moisture has dissipated, the bricks will turn white. You will experience a slight odor during the first few fires. This odor comes from curing paint and oil burning off the metal.

REFUELING

Fuel wood can be of any species but the fireplace will not burn cleanly or efficiently unless the wood is well seasoned. Keep your firewood under cover. Fourteen to sixteen inch lengths work the best.

The door should be opened slowly to keep smoke from spilling into your room. If you have a problem with smoke spillage check to see that all kitchen and bathroom fans have been shut off. They can cause negative pressure in the house which pulls smoke out of the fireplace.

NOTE: The internal blower should be shut off during refuelling to prevent smoke from spilling into your room.

MAINTENANCE

GENERAL CLEANING

The high-heat paint can be cleaned with a soft damp cloth. Use a mild detergent and water. Do not use abrasive cleaners.

PAINT

You can touch up the face of the CHAMELEON with *Stove Bright* Metallic Black high temperature paint which is available at most fireplaces dealers. Follow the directions outlined on the spray can. **DO NOT** attempt to paint the fireplace while it is still warm. Keep the spray can away from any source of heat or open flame. Ensure that there is adequate ventilation in the room from the time you start painting until the paint is dry. *Stove Bright* is available in a wide range of colors if you want to change the color of your CHAMELEON.

We recommend that you take the time to protect or remove any item that you do not want to paint such as: the door glass, the plated door, the fireplace surroundings, etc. The glass can be removed from the door but you will have to replace the gasket.

GLASS CLEANING

In a controlled combustion firebox temperatures are not always high enough to keep the glass perfectly clean. A good hot fire once a day usually cleans off most of the deposits that have accumulated. Remember: the drier the wood, the cleaner the glass. A word of caution: although heat will not break the glass, impact can. Be careful not to hit the glass.

WARNING: NEVER CLEAN THE GLASS WITH AN ABRASIVE CLEANER. USE ONLY A CLEANER RECOMMENDED BY YOUR DEALER. NEVER CLEAN THE GLASS WHILE IT IS HOT, A SERIOUS BURN CAN RESULT. THERE ARE A NUMBER OF EXCELLENT WOOD STOVE GLASS CLEANERS AVAILABLE WHICH ARE FAR SUPERIOR TO REGULAR GLASS AND OVEN CLEANERS FOR WOOD STOVE APPLICATIONS.

CHIMNEY CLEANING

Check the chimney for creosote build-up every week or so until experience shows you how often you need to clean it. A build-up of ¼" or more should be cleaned before more creosote accumulates. Use a 7" round brush. The baffle in the firebox must be removed to gain access to the flue from below. Follow the directions in the Refractory Brick Installation section to remove and replace the baffle. If you prefer, you can simply lift the baffle and move it forward and let the debris fall in the firebox. Do not forget to push the baffle back in its place after cleaning the chimney. This second option is much easier than removing the baffle.

DISPOSAL OF ASHES

Remove the ashes before they become too deep, i.e., before you have a spillage problem when you open the door.

The ashes should be placed in a metal container with a tight fitting lid. The closed container of ashes should be placed on a non-combustible floor or on the ground, well away from all combustible materials, pending final disposal. If the ashes are disposed of by burial, or otherwise locally dispersed, they should be retained in the closed container until all cinders have thoroughly cooled.

DOOR ADJUSTMENT

The door hinges on the fireplace can be adjusted for easy installation/removal of the door and the firescreen, and for proper sealing of the door. The latch pin can also be adjusted to provide a positive seal without too much effort at closing.

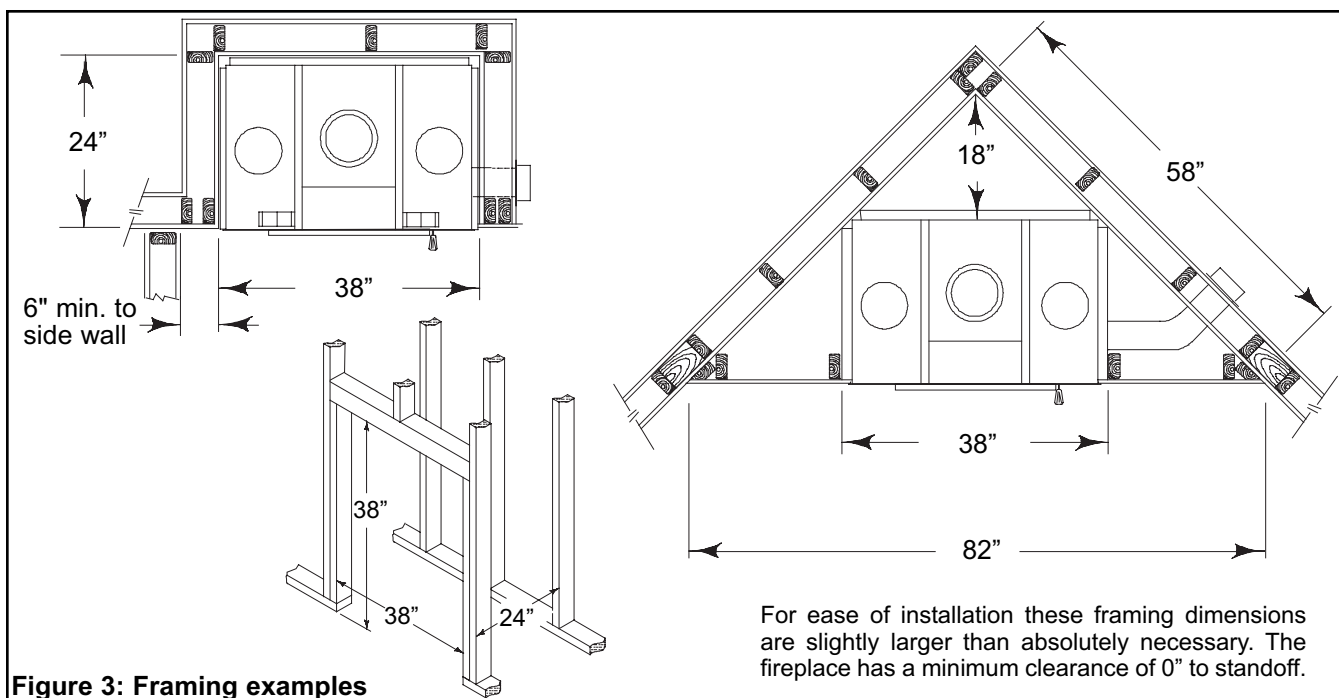
To check for a proper door seal insert a thin sheet of paper between the door and the front of the fireplace and latch the door. Pull gently but firmly on the sheet of paper. If the paper either tears or is hard to retrieve the adjustment is correct. Repeat this procedure along all sides of the door.

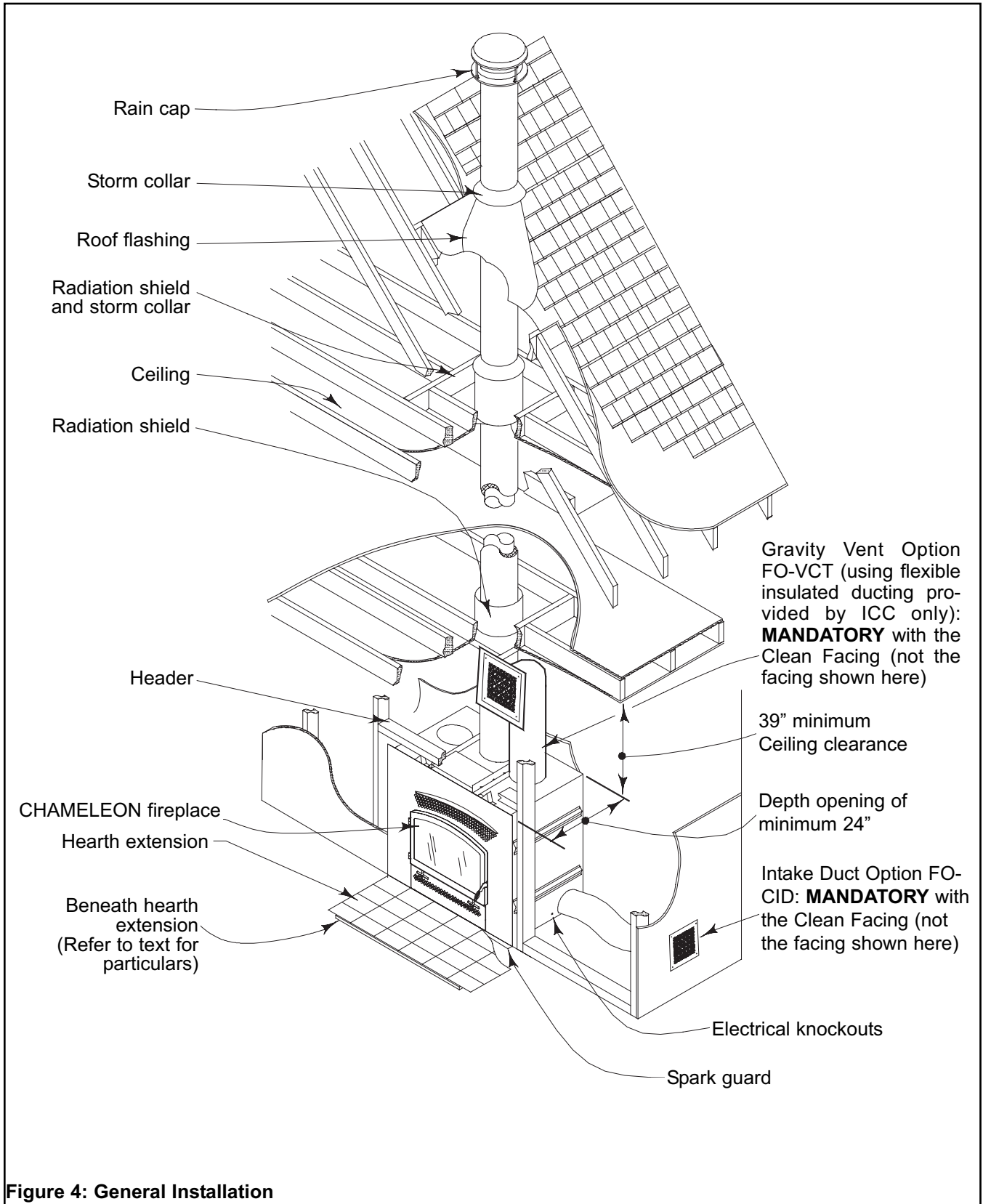
The most important factor for controlling the burning rate of the CHAMELEON is a good seal on the door gasket. If the door gasket is worn or damaged to the point where the seal is not adequate as described above then remove and replace the gasket. Replacement kits are available from your RSF dealer.

To insure a proper seal you need to adjust the tightness of the door against the front of the fireplace as follows:

1. Slightly loosen the four screws that hold in place the two door hinges to the fireplace, just enough so that the hinges can be moved when force is applied. If the refractory bricks are installed, they must all be removed except for the baffle and the rear refractory brick.
2. Close the door and engage the handle while making sure the door is straight.
3. Push the door against the fireplace where the hinges are to seal the gasket.
4. Carefully open the door and tighten all four hinge screws.
5. Verify the seal with the sheet of paper as described above.
6. If required, the right side of the door can be tightened/loosened by adjusting the eccentric screw that latches the door: just loosen the nut on the inside of the firebox, turn the eccentric screw on the outside of the firebox so as to tighten/loosen the door latch and retighten the nut.
7. Once adjusted for a proper seal, verify that the door can be easily removed and put back on the hinges. You may have to slightly twist one of the hinges to correct the alignment between the hinges and ease the installation/removal of the door. You can also lightly grease the hinges pins with the high temperature grease provided to make the hinges easier to move.

NOTE: An improperly adjusted door seal can have a significant effect on the performance and durability of the fireplace. A poorly adjusted door can result in reduced efficiency, overfiring excessive wood consumption and premature fireplace failure.





INSTALLATION

Check with your local authority having jurisdiction (such as municipal building department, fire department, fire prevention bureau, etc.) regarding restrictions and installation requirements, and the need to obtain a permit.

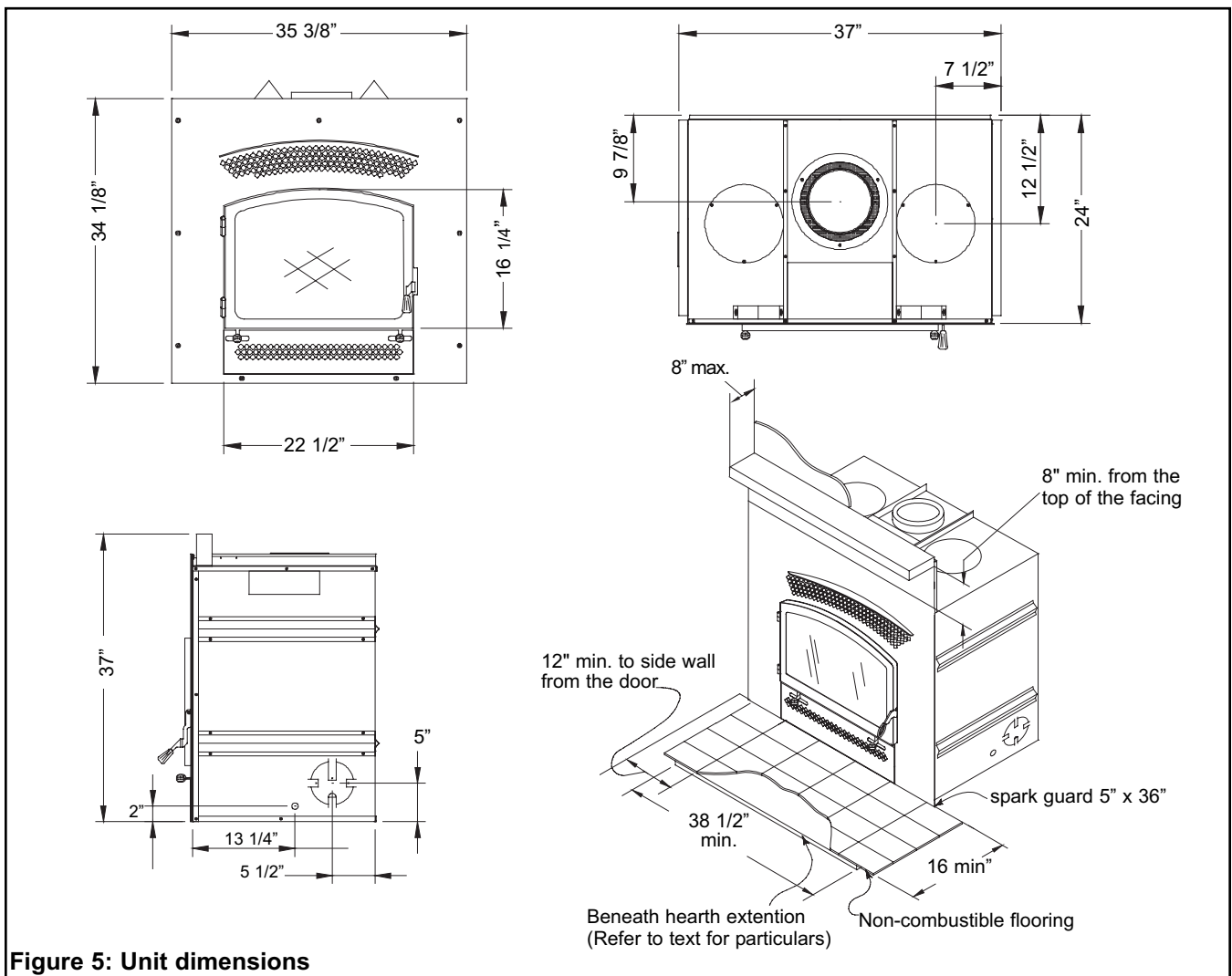
LOCATION

Your CHAMELEON fireplace can be installed in many different ways (see Figure 3) without any special floor reinforcement. We recommend that you take the time to plan your entire installation (fireplace, chimney, and options) before beginning the actual installation (refer to Figure 4).

Dimensions of the fireplace along with clearances are shown in Figure 5.

WARNING: IF THIS FIREPLACE IS NOT PROPERLY INSTALLED, A HOUSE FIRE CAN RESULT. FOR YOUR SAFETY, FOLLOW THE INSTALLATION INSTRUCTIONS AND CLEARANCES. DO NOT PACK REQUIRED AIR SPACES WITH INSULATION OR OTHER MATERIALS.

1. Note the location of rafters and floor joists. If possible choose a location that does not require cutting them.
2. Do not build shelves or cupboards in the area above the fireplace. This space must be kept empty.
3. If at all possible, run the chimney inside of the house. If it must be run up outside, it should be enclosed in an insulated enclosure (see Installation: Chase Enclosure). Remember, a cold chimney causes poor draft.



CEILING CLEARANCE

The ceiling clearance is the distance from the top of the fireplace to the ceiling.

Under no circumstances should the distance between the ceiling and the top of the CHAMELEON be less than 39" (see Figure 4).

OUTSIDE AIR DUCT

After the fireplace is correctly positioned, connect the outside air inlet to the outside (see Figure 6).

Use an insulated flexible duct rated at over 200° F. It is recommended that the duct does not exceed 12 ft. vertical rise above the base of the unit.

The air inlet should never be less than 5 ft. below the top of the chimney flue and must never terminate in attic spaces.

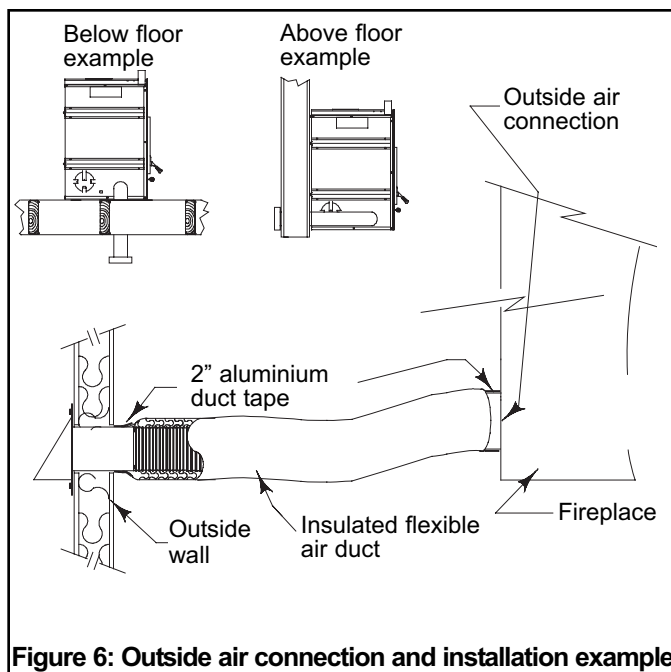


Figure 6: Outside air connection and installation example

A 4" diameter duct can be used if the total run of the ducting is less than 25 feet. For longer runs, use 5" diameter duct. A 4"-to-5" increaser is provided with the fireplace.

1. Find a convenient location for the combustion air duct and fresh air hood. The fresh air hood can be above or below floor level.
2. Make a 4 1/4" (5 1/4" if using a 5" diameter duct) hole in the outside wall of the house. Push the hood in from the outside. Seal the joint between the hood and the outside wall with an appropriate sealant.
3. Place the insulated flexible duct over the round sleeve on the outside air hood. At both ends, carefully pull back the insulation and plastic cover, exposing the flexible duct. Then at each end, attach the duct with metal screws to the inlet and tube. Carefully push the insulation and cover back over the duct. Tape the plastic cover in place with 2" aluminium duct tape.

CAUTION: WHEN RUNNING THE DUCT AROUND CORNERS, BE SURE TO PREVENT CRIMPING THE DUCT THAT WOULD RESTRICT THE COMBUSTION AIRFLOW.

CHIMNEY

This fireplace is certified for use with 7" ICC Model EXCEL chimney only. The chimney system height from the top of the fireplace must be a minimum of 12 ft.

We recommend that the minimum height be increased by approximately 1 ft. for every 2000 ft. elevation above sea level. Every 30° or 45° elbow also increases the minimum height by 1 ft. For example, if you are living 6000 ft. above sea level, your chimney should terminate at least 15 ft. from the top of the fireplace (12 ft. + 3 ft. for the 6000 ft.). See Table 1 for more precise recommended flue heights.

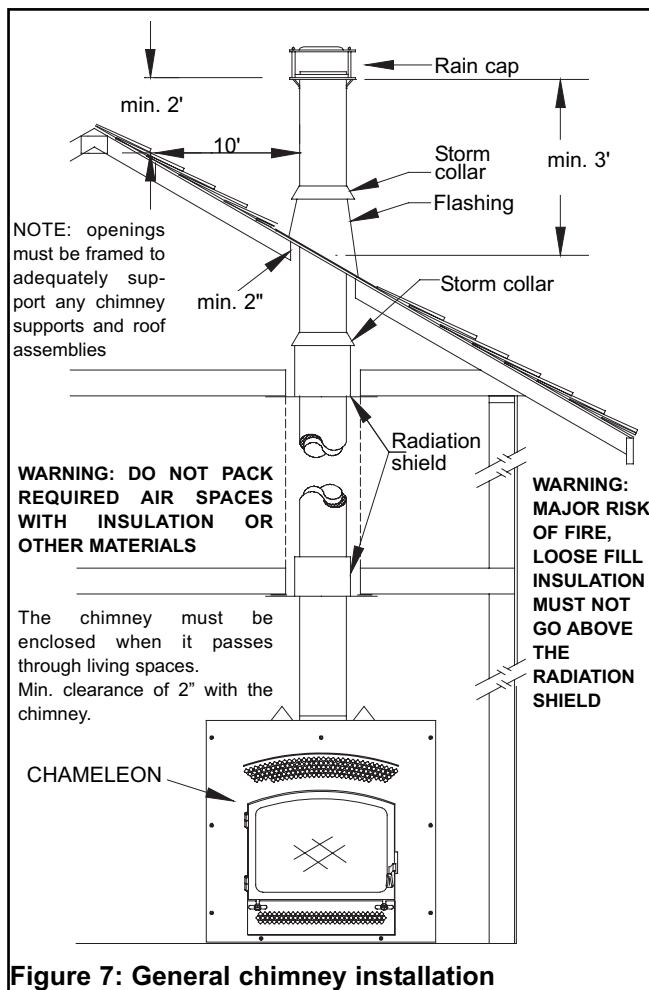


Figure 7: General chimney installation

CHIMNEY INSTALLATION

The maximum height of chimney that can be supported by the top of the fireplace is 18 feet. For taller chimneys, additional supports are required. Offset or roof supports can be used.

NOTE: The clearance between the chimney and combustible material must be at least 2". **DO NOT** fill this area with insulation.

1. Cut and frame the required holes in the floor(s), ceiling(s) and roof where the chimney will pass through. The rough opening in the framing is 13" square (the opening can be slightly bigger, up to 13 1/2", but NEVER smaller).

MINIMUM RECOMMENDED FLUE HEIGHTS IN FEET FROM THE TOP OF THE FIREPLACE							
NUMBER OF ELBOWS							
Elevation(ft)	0	2 x 15°	4 x 15°	2 x 30°	4 x 30°	2 x 45°	4 x 45°
0-1000	12'	13'	14'	15'	18'	16'	20'
1000-2000	12'6"	13'6"	14'6"	15'6"	19'	16'6"	20'
2000-3000	13'	14'	15'	16'	19'6"	17'	21'6"
3000-4000	13'6"	14'6"	15'6"	17'	20'	18'	22'6"
4000-5000	14'	15'	16'	17'6"	21'	18'6"	23'
5000-6000	14'6"	15'6"	17'	18'	21'6"	19'	24'
6000-7000	15'	16'	17'6"	18'6"	22'	20'	24'6"
7000-8000	15'6"	16'6"	18'	19'	23'	20'6"	25'6"
8000-9000	16'	17'	18'6"	20'	24'	21'	26'6"
9000-10000	16'6"	17'6"	19'	20'6"	24'6"	22'	27'

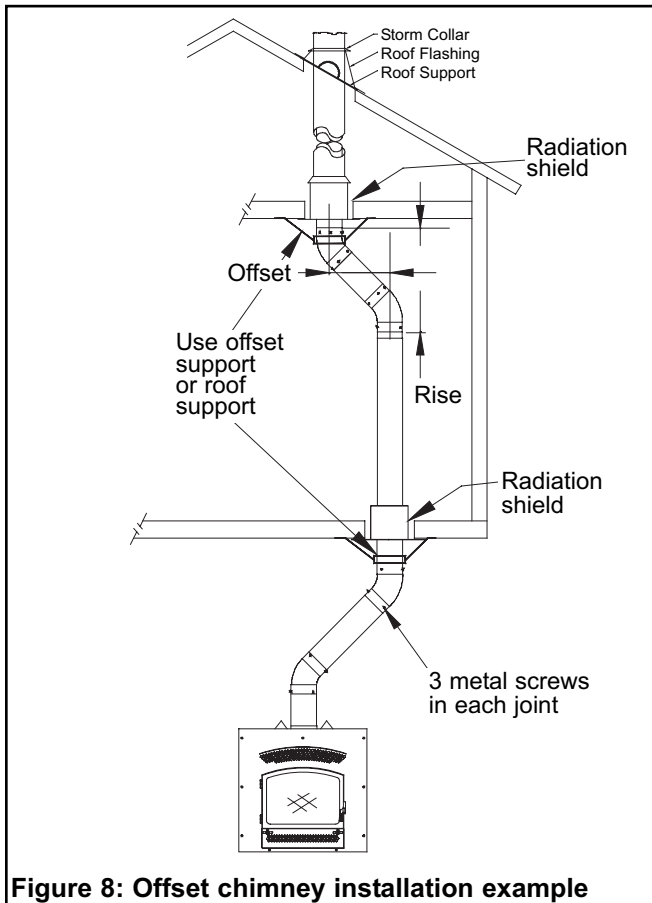


Figure 8: Offset chimney installation example

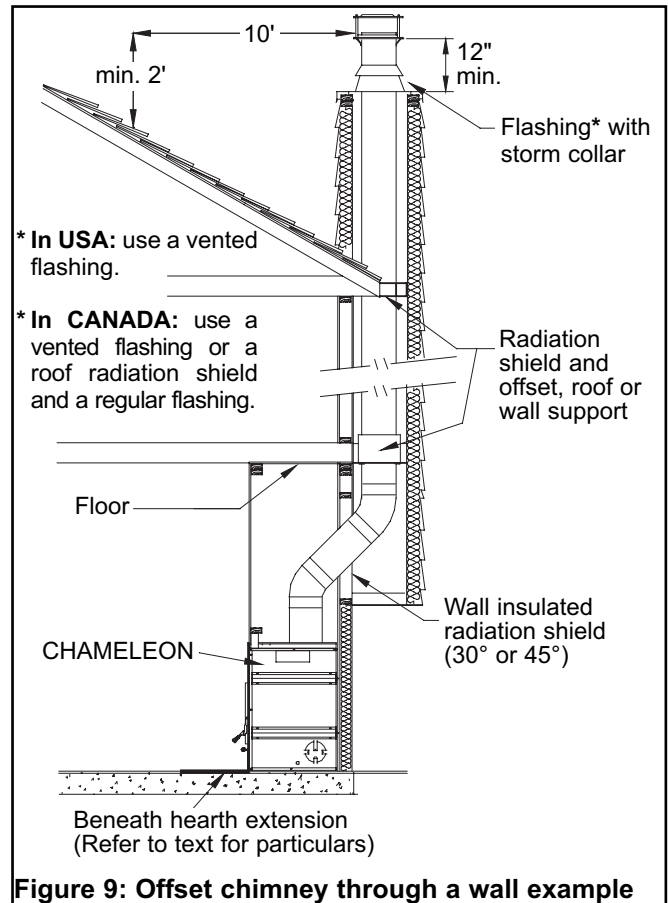


Figure 9: Offset chimney through a wall example

- From below, install a radiation shield in each floor through which the chimney passes. At the attic level, install a radiation shield and a storm collar as shown in Figure 7.

WARNING: A RADIATION SHIELD MUST BE INSTALLED AT EACH FLOOR WHERE THE CHIMNEY PASSES THROUGH.

- Remove the flue adapter from the fireplace, put the screws aside. Install the flue adapter on the first chimney length and secure it with the screws provided. Reinstall the flue adapter on the fireplace and secure it with the screws you have put aside earlier. Assemble the rest of the chimney.

The chimney must extend at least 3 feet above its point of contact with the roof and at least 2 feet higher than any wall, roof, or building within 10 feet of it. If the chimney is higher than 5 feet above the roof, it must be secured with a roof brace.

- Put the roof flashing into place. Seal the joint between the roof and the flashing with roofing tar. For sloping roofs, place the flashing under the upper shingles and on top of the lower shingles. Nail the flashing to the roof using roofing nails.

If the chimney is enclosed to the roof:

- in **USA**: use a vented flashing.
- in **CANADA**: use a vented flashing, or a roof radiation shield with a regular flashing.

- Place the storm collar over the chimney just above the flashing. Seal it around the chimney with silicone sealer (**DO NOT use roofing tar**).

- Fit the rain cap on the chimney. Secure it tightly in place.

- Read the EXCEL Chimney installation manual concerning requirements for supports, bracing, anchors, etc. The EXCEL installation manual is available from your dealer or from our Web Site: "www.icc-rsf.com".

OFFSET CHIMNEY

Maximum offset angle:

- in **CANADA**: 45°

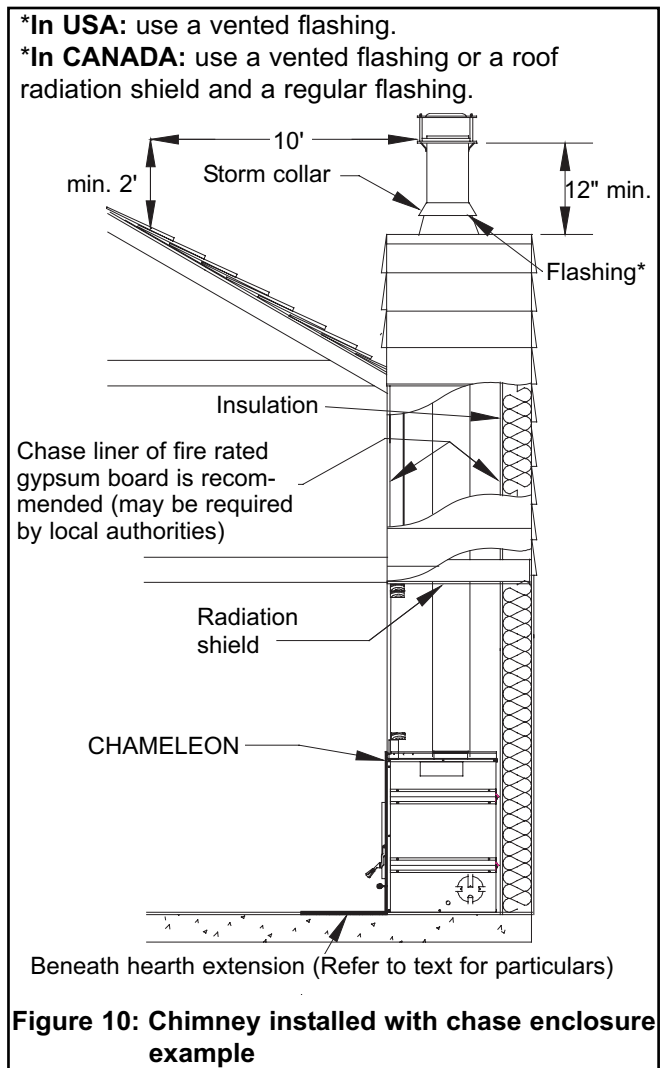
- in **USA**: 30°

Maximum number of elbows: Four (4), resulting in two (2) offsets.

An elbow may be installed directly on top of the fireplace if required. See the detailed offset chart in the EXCEL chimney installation instructions. See Figures 8 and 9 for examples.

Install the fireplace and chimney as described earlier. When you require an elbow, proceed as follows:

- Install the required elbow. Turn it in the desired direction, and fasten it to the other section with the 3 metal screws provided.
- Install the lengths required to obtain the desired offset. Secure each joint with 3 metal screws.
- Use another elbow to return the chimney to the vertical direction.
- Install a roof support, wall support, or an offset support above each offset to support the weight of the flue (elbows cannot support a flue above an offset).



CHASE ENCLOSURE

If the chimney runs up the outside of the house, we recommend that it be enclosed in a chase structure. The chase should be constructed in such a way that it is an extension of the home. It should be well insulated between the footings and the floor of the home to prevent heat loss. If the climate in your area is mild, insulate the chase at least to the first fire stop. If the climate in your area is very cold, insulate the chase to the top to keep the flue warmer, to increase the draft, and reduce creosote build-up.

Some local codes require that the walls be insulated, vapour sealed and sheathed with a fire rated gypsum board (see Figure 10). We strongly recommend this procedure for all installations to prevent cold drafts from originating in the fireplace enclosure. If you follow this procedure, we recommend that you do not insulate the wall above the front of the fireplace.

NOTE: In **USA** if the chase is enclosed or flashed to the roof as shown in Figures 7, 9 and 10, then the flashing must be vented.

REMEMBER: Check local codes concerning installation requirements and restrictions in your area.

FRAMING

The enclosure walls can be framed with any suitable materials (2 x 4 or 2 x 6 studs, plywood, gypsum board, etc.). Because of the high heat output potential of the CHAMELEON, combustible material must NOT go closer to the fireplace than the standoffs, top, back and sides.

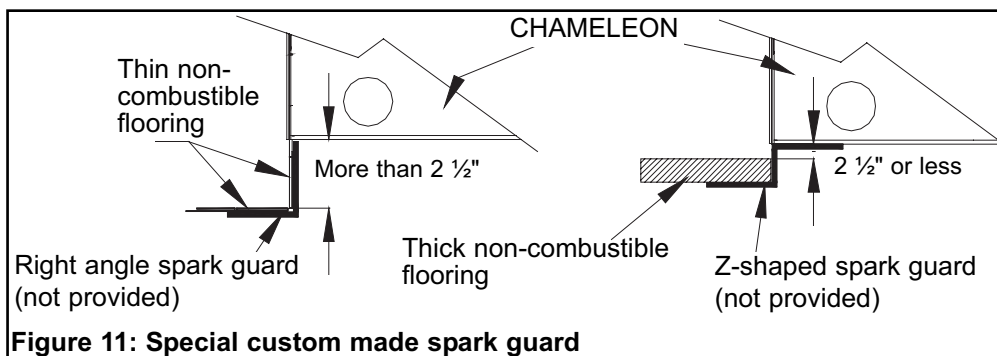
HEARTH EXTENSION

The area immediately in front of the fireplace must be protected by a non-combustible material such as brick, tile, stone, or slate. The protection must extend at least 16" in front and 8" on both sides of the fireplace opening. There is no minimum thickness required for the hearth extension.

BENEATH HEARTH EXTENSION

If the CHAMELEON is installed on a non-combustible floor, NONE of the sheet metal, Durock® board and spark guard specified below are required.

Install the spark guard provided (5" x 36" piece of sheet metal) halfway under the fireplace and halfway under the hearth extension. The spark guard will extend 2½" beneath the CHAMELEON. This will make certain that sparks cannot lodge in this area and start a fire.



If you are preparing a raised installation, you will need a custom made spark guard, either a "Z" shaped spark guard or a right angle spark guard (see Figure 11). The Z-shaped spark guard must be used if the height between the bottom of the fireplace and the top of the non-combustible flooring of the hearth extension is less than or equal to 2½". The height of the Z-shaped spark guard must equal the distance between the floor and the base of the unit and go under the hearth extension and the fireplace by at least 2½". If the unit is installed higher than 2½" from the top of the flooring, a right angle spark guard is necessary. The sides of the right angle spark guard should be at least 2½" x 2½" and must be covered with non-combustible material. Any custom made spark guard must run the full length of the fireplace (36").

NOTE: Custom made spark guards are not supplied.

In the USA :

A metal sheet (galvanized steel, min. thickness of 0.018") with ½" Durock® cement board underneath or an equivalent cement board, MUST be installed beneath the hearth extension. The metal sheet and Durock® board must have the same minimum dimensions as the hearth extension, 16" x 38½". If the fireplace is raised by at least 4", the hearth area only requires the metal sheet, not the Durock® board.

The spark guard must be installed under any of the layers of the hearth extension.

In CANADA :

A metal sheet (galvanized steel, minimum thickness of 0.018") MUST be installed beneath the hearth extension. It must have the same minimum dimensions as the hearth extension, 16" x 38½".

MANTEL

The maximum depth of the mantel is 8".

Wood or other combustible mantels must be placed at least 8" above the top of the fireplace facing (see Figure 5).

Masonry and other non-combustible mantels can be placed directly above the top of the fireplace facing or higher. If the non-combustible mantel is located between 0" and 8" above the top of the fireplace facing, then the wall portion between the top of the fireplace facing and the mantel must be covered in non-combustible material. If the non-combustible mantel is located at 8" or more above the top of the fireplace facing then no special wall covering is required below the mantel.

DOOR INSTALLATION

NOTE: We recommend that you delay the installation of the door until after all finishing work is completed around the fireplace. This will reduce the possibility of scratches, vandalism, or damage to the finish caused by drywall dust, muriatic acid, plaster, cement, paint or any other harmful spray or liquid.

The CHAMELEON is offered with many door options.

Use only genuine RSF parts. The use of any substitutes will decertify the system and may put your safety at risk.

To install the female hinges on the door, remove the 2 top and 2 bottom screws on the left side of the door. These four screws are not required for the CHAMELEON. Use the two Allen key screws provided to install the female hinges on the door. Figure 12 shows the holes to be used.

Put the door on the fireplace and refer to the maintenance section to adjust the hinges and the latch pin properly.

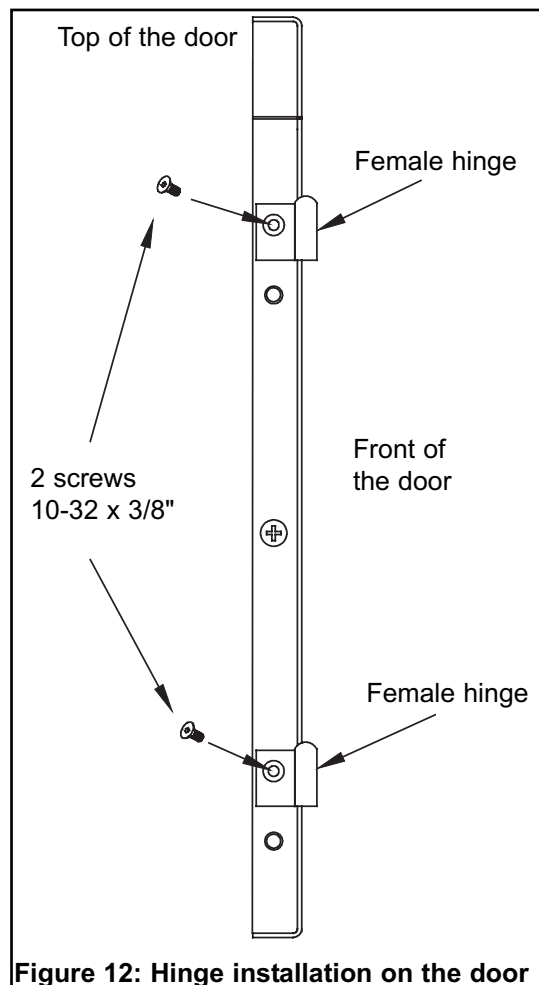


Figure 12: Hinge installation on the door

FACING INSTALLATION

NOTE: We recommend that you delay the installation of the facing until after all finishing work is completed around the fireplace. This will reduce the possibility of scratches, vandalism, or damage to the finish caused by drywall dust, muriatic acid, plaster, cement, paint or any other harmful spray or liquid.

The CHAMELEON is offered with various facings. Refer to the facing installation instructions for particular details. Some facings require the installation of gravity vents and intake ducts while others do not. **Make sure to have all the required options installed properly.**

Use only genuine RSF parts. The use of any substitutes will decertify the system and may put your safety at risk.

Make sure to install the door hinges before installing the facing.

NOTE: To be able to eventually change the facing, you will need free access to the entire facing and attaching screws.

MANDATORY OPTIONS WITH THE CLEAN FACING

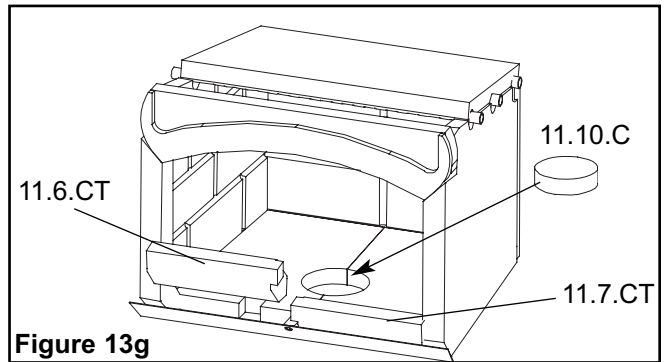
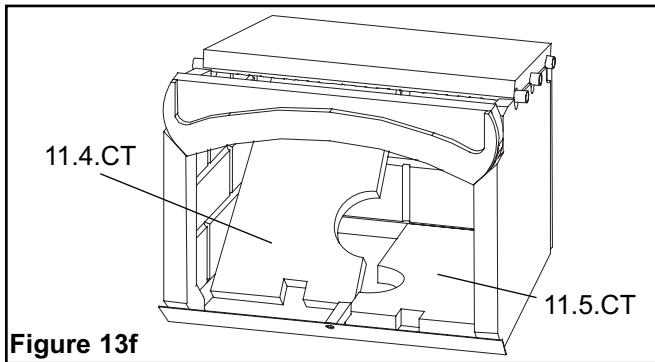
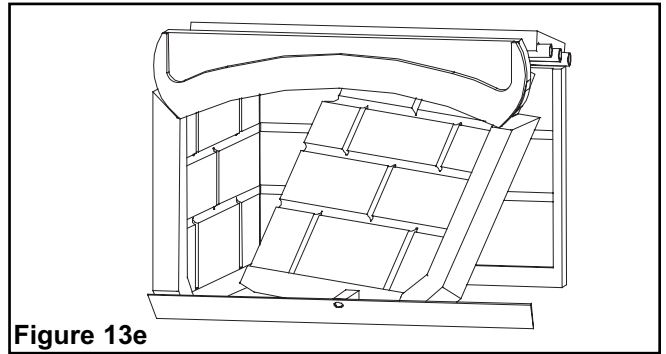
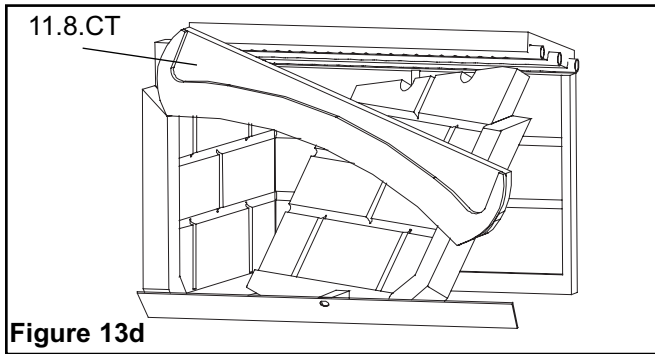
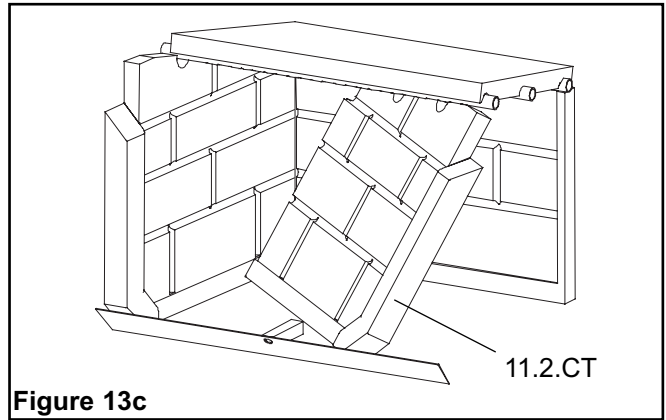
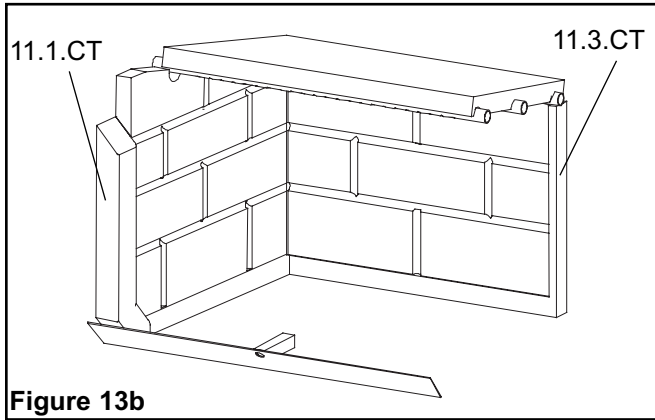
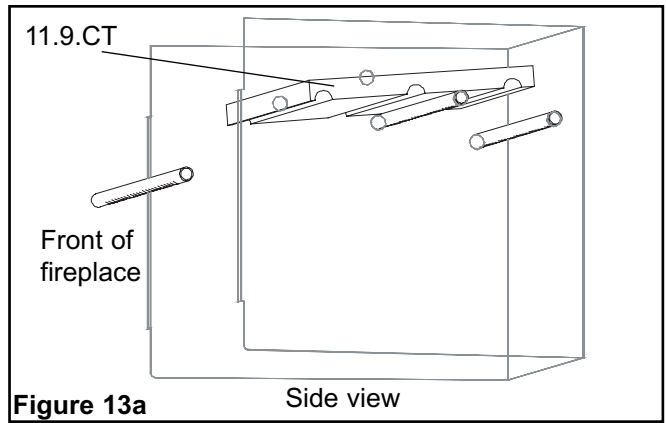
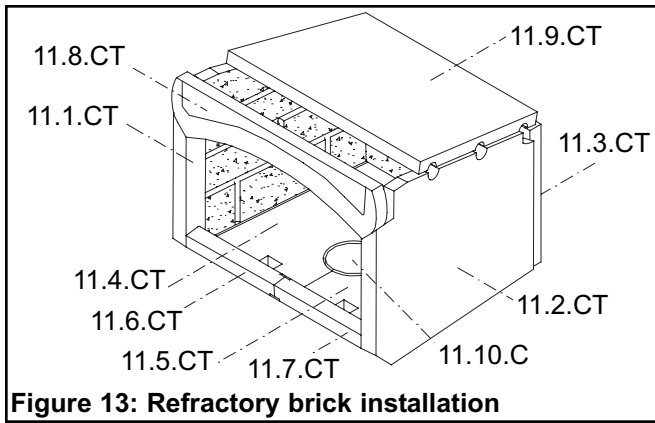
When installing a Clean Facing (FO-CAMF-4) on your CHAMELEON, you MUST also install an Intake Duct (FO-CID) to provide sufficient air to the unit along with at least one Gravity Vent Kit (FO-VCT) to provide an evacuation path for all the heat. Neglecting to install either one of these options will result in overheating of the unit and may put your safety at risk. Refer to each option's installation instructions for particular details.

Use only genuine RSF parts. The use of any substitutes will decertify the system and may put your safety at risk.

REFRACTORY BRICK INSTALLATION

The refractory bricks must be installed in proper sequence to allow them to fit in the firebox (see Figure 13). Remove the door, if already installed, for easier access to the firebox. To remove any of the refractory bricks, just follow the installation procedure in the reverse sequence.

1. Remove the secondary air tube at the top front of the firebox. To do so, unscrew the bracket located on the left side of the tube.
2. Place the baffle (11.9.CT) above the other two tubes and ensure its proper orientation: narrow part towards the rear and grooves towards the bottom (see Figure 13a).
3. Reinstall the first tube and screw it in place.
4. Insert the rear refractory brick in the firebox (11.3.CT), then the left side refractory brick (11.1.CT). See Figure 13b for the proper orientation.
5. Insert the refractory brick on the right side (11.2.CT) of the firebox but do not position it yet. Ensure that it is resting firmly on the rear refractory brick as shown in Figure 13c.
6. Insert the arch refractory brick (11.8.CT) in the firebox as shown in Figure 13d.
7. Pivot the arch refractory brick until it is in a horizontal position (see Figure 13e) and then slide the right refractory brick until it is in place. The arch refractory brick is supported by the two side refractory bricks.
8. Install the 2 bottom refractory bricks in the firebox (11.4.CT on the left and 11.5.CT on the right). To facilitate the installation, remove the plug and insert the refractory bricks as shown in Figure 13f. First, slide the bottom refractory brick below the square tube located at the front floor of the firebox. Then install the right refractory brick in the same fashion. Replace the plug.
9. Finally, install the 2 front refractory bricks (11.6.CT on the left and 11.7.CT on the right) and the refractory plug (11.10.C) as shown in Figure 13g.



FIREPLACE OPTIONS

FO-CAMF-4	Chameleon Facing - Clean
FO-CAMF-5	Chameleon Facing - Classic
FO-KF-4	Chameleon Rock Retainer Kit for Clean Facing
FO-KF-5	Chameleon Rock Retainer Kit for Classic Facing
FO-TZDB	Topaz/Chameleon Door - Black
FO-TZDC	Topaz/Chameleon Door - Cathedral (black)
FO-TZDG	Topaz/Chameleon Door - Gold plated
FO-TZDP	Topaz/Chameleon Door - Pewter plated
FO-CAP	Chameleon Ash Pan
FO-CID	Chameleon Intake Duct (Mandatory with FO-CAMF-4)
FO-CIF	Chameleon Inline Fan
FO-DUCT5	5 feet insulated flexible duct
FO-FDGRK8	Gasket Replacement Kit
FO-FDHB8	Circulating Internal Blower (for FO-CAMF-5 only)
FO-FSC2	Firescreen
FO-VCT	Gravity Vent Kit (Mandatory with FO-CAMF-4)



LISTED FACTORY BUILT FIREPLACE
MODEL: CHAMELEON
TESTED TO: UL-127 / ULC-S610

DO NOT REMOVE THIS LABEL / NE PAS ENLEVER CETTE ÉTIQUETTE

FOYER PRÉFABRIQUÉ
MODÈLE: CAMELEON
MIS À L'ESSAI SELON LES NORMES
UL-127/ULC-S610



SERIAL NO. / NO DE SERIE

INSTALL AND USE ONLY IN ACCORDANCE WITH THE MANUFACTURER'S INTALLATION AND OPERATING INSTRUCTIONS. **DO NOT OBSTRUCT** COMBUSTION AIR INLET. DO NOT USE A FIREPLACE INSERT OR OTHER PRODUCTS NOT SPECIFIED FOR USE IN THIS PRODUCT. OPERATE WITH DOORS FULLY OPEN OR FULLY CLOSED.

MINIMUM CLEARANCES TO COMBUSTIBLE MATERIALS	
SIDEWALL, SIDE FACING	12 IN. / 305 MM FROM DOOR OPENING
MANTLE, TOP FACING	19 IN. / 485 MM FROM DOOR OPENING
UNIT TOP, BACK, SIDES AND BOTTOM	0 IN. / 0 MM TO SPACERS

COMBUSTIBLE MATERIALS ARE NOT PERMITTED ON FACE OF UNIT. COMBUSTIBLE FLOOR MUST BE PROTECTED AS SPECIFIED IN THE INSTALLATION INSTRUCTION MANUAL.

COMPONENTS REQUIRED FOR INSTALLATION:
USE 4 IN. OR 5 IN. (102 OR 130MM) DIAMETER FLEXIBLE DUCT AND COMBUSTION AIR INLET ASSEMBLY. USE THE **ICC MODEL 7 IN. (190 MM) EXCEL** CHIMNEY AND LISTED COMPONENTS AS PER INSTALLATION INSTRUCTIONS.
TWO GRAVITY VENT SYSTEMS (MANDATORY WITH PLAIN FACADE)

REFER TO MANUFACTURER'S INSTALLATION AND OPERATING INSTRUCTIONS FOR OPTIONAL COMPONENTS:
INTERNAL FAN
FIRESCREEN
GRAVITY VENT SYSTEM (WITH AUTHORISED CUT-OUT FACADES)

REPLACE GLASS ONLY WITH 5MM CERAMIC GLASS. OPERATE ONLY WITH FIREBRICK IN PLACE. FOR USE WITH SOLID WOOD FUEL ONLY. DO NOT OVERFIRE UNIT. WARNING: THIS FIREPLACE HAS NOT BEEN TESTED WITH AN UNVENTED GAS LOG SET. TO REDUCE RISK OF FIRE OR INJURY, DO NOT INSTALL AN UNVENTED GAS LOG SET INTO THE FIREPLACE.

DEGAGEMENTS MINIMUM AUX MATIERES COMBUSTIBLES	
MUR DE COTE, FAÇADE-CÔTÉ	12 PO. / 305 MM DE L'OUVERTURE DE LA PORTE
MANTEAU, FAÇADE-DISSUS	19 PO. / 485 MM DE L'OUVERTURE DE LA PORTE
DISSUS, ARRIÈRE, CÔTES ET BASE DE L'APPAREIL	0 PO. / 0 MM DES CALES

LES MATÉRIEAUX COMBUSTIBLES NE SONT PAS PERMIS SUR LA FAÇADE DE L'APPAREIL, UN PLANCHER COMBUSTIBLE DOIT ÊTRE PROTÉGÉ SUIVANT LES SPÉCIFICATIONS DU LIVRET D'INSTRUCTIONS.

PIÈCES REQUISES POUR L'INSTALLATION:
TUYAU FLEXIBLE DE 4" OU 5" (102 OU 130MM) DIA. ET PRISE D'ENTRÉE D'AIR.
UTILISER UNE **CHEMINÉE EXCEL 7"** (190 MM) DE DIAMÈTRE DE ICC SELON LES INSTRUCTIONS D'INSTALLATION.
DEUX SYSTÈMES D'ÉVENTS DE GRAVITÉ (OBLIGATOIRE AVEC LA FAÇADE PLEINE)

VOIR LES INSTRUCTIONS D'INSTALLATIONS DU MANUFACTURIER POUR LES COMPOSANTES OPTIONNELLES:
SOUFFLEUR INTERNE
ÉCRAN PAR-ÉTINCELLE

SYSTÈME D'ÉVENT PAR GRAVITÉ (AVEC FAÇADES AÏOURÉES AUTORISÉES)

LE REMPLACEMENT D'UNE VITRE DOIT SE FAIRE AVEC UNE VITRE CÉRAMIQUE DE 5MM D'ÉPAISSEUR SEULEMENT. OPÉRER SEULEMENT AVEC LES PIÈRES RÉFRACTAIRES EN PLACE. POUR L'UTILISATION AVEC DU BOIS SÉCHEMENT, NE PAS SURCHAUFFER L'APPAREIL. AVERTISSEMENT: CE FOYER N'A PAS ÉTÉ TESTÉ AVEC UNE RÔCHE À GAZ SANS ÉVENT. POUR RÉDUIRE LES RISQUES DE FFU ET DE BLESSURES, NE PAS INSTALLER DE BÛCHE À GAZ SANS ÉVENT DANS CE FOYER.



U.S. ENVIRONMENTAL PROTECTION
AGENCY CERTIFIED TO COMPLY
WITH JULY 1990 PARTICULATE
EMISSION STANDARDS.

DATE MANUFACTURED / DATE DE FABRICATION

CERTIFIÉ PAR EPA (USA) SELON LA
NORME SUR LES ÉMISSIONS DE
PARTICULES (JUILLET 1990)

MANUFACTURED BY / FAIT PAR **ICC**, 400-14 KENNEDY, ST-JEROME
QUEBEC, CANADA, J7Y 4B7



FOYERS AU BOIS
FABRIQUÉ AU CANADA

We recommend that our products be installed and serviced by professionals who are certified in the U.S. by NFI (National Fireplace Institute) or in Canada by WETT (Wood Energy Technical Training).




www.nficertified.org www.wettinc.ca



CHAMELEON - Limited Warranty

30 Year Limited Warranty

All **RSF Woodburning Fireplaces** fireplace models are warranted against defects in material and workmanship for a period of 30 years, subject to the following conditions:

During the first year **RSF Woodburning Fireplaces** will repair or replace, at our option, any parts which upon examination by an authorized **RSF Woodburning Fireplaces** representative are found to be defective, except the parts listed in the EXCLUSIONS portion of this warranty. **RSF Woodburning Fireplaces** will also pay reasonable labor costs for the repair work.

During the second through fifth years **RSF Woodburning Fireplaces** will repair or replace, at our option, any parts which upon examination by an authorized **RSF Woodburning Fireplaces** representative are found to be defective, except the parts listed in the EXCLUSIONS portion of this warranty. **RSF Woodburning Fireplaces** shall not be responsible for any labor costs associated with this repair work.

During the sixth through thirtieth years **RSF Woodburning Fireplaces** will provide replacement parts, if available, at 50% of the published retail price, except for the parts listed in the EXCLUSIONS portion of this warranty. **RSF Woodburning Fireplaces** shall not be responsible for any labor costs associated with this repair work.

EXCLUSIONS

- Electrical components are warranted for one year only.
- Glass and gold or pewter plating.
- Damage due to normal wear and tear, such as paint discoloration, worn gaskets, eroded or cracked refractory components.
- Repairs or replacements necessitated by vandalism, neglect, abuse, over-firing, improper fuel or fuel loads, or failure to adequately service the unit, as stated in the instruction manual.
- Repairs or replacements (particularly charges for travel and labor) not authorized by **RSF Woodburning Fireplaces** in advance.

LIMITATIONS

All items found to be defective will be replaced or repaired upon return of the defective part to an authorized **RSF Woodburning Fireplaces** dealer. **RSF Woodburning Fireplaces** will not be responsible for freight costs related to shipping replacement parts.

Any complete fireplace, or part thereof, that is replaced or serviced under this warranty will be warranted for a period not exceeding the remaining term of the original warranty.

This warranty is not transferable.

This warranty does not apply to damage to the appliance while in transit.

This warranty does not apply if the installation does not conform to the installation requirements in the instruction manual.

RSF Woodburning Fireplaces is free of liability for any damages caused by the appliance, as well as material and labor charges incurred in the removal or re-installation of any **RSF Woodburning Fireplaces** fireplace under this warranty. Incidental or consequential damages are not covered by this warranty.

The remedies set forth herein are exclusive, and the liability of the seller shall not exceed the price of the fireplace or part thereof upon which the liability is based.

This warranty is expressly in lieu of all other warranties expressed or implied, including the warranties of merchantability and fitness for use and all other obligations or liabilities on the part of **RSF Woodburning Fireplaces**.