

heatilator

The first name in fireplaces

Heatilator EZ Gas Inserts

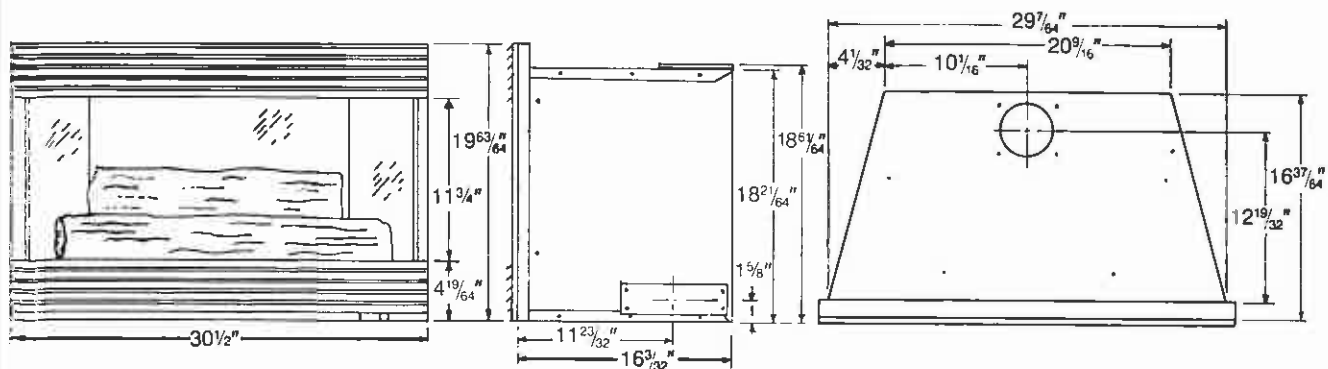


The HEATILATOR EZ Gas Insert easily and economically converts a conventional woodburning zero-clearance or masonry fireplace to a clean, convenient, energy-efficient gas fireplace. The EZ Gas Insert is a perfect solution for the homeowner who likes big, yellow flames but wants cleaner, more cost-effective warmth from an existing fireplace.

Features

- Heatilator Flame Technology (HFT) uses low Btu input (25,000) to ensure cost savings, yet offers big, yellow flames dancing around four ceramic logs and a glowing ember bed.
- Large fixed glass front (2.5 sq. ft.) optimizes viewing and increases radiant heat.
- Attractive and durable powder-coat finish.
- Facing covers openings 24" high by 40" wide.
- Quiet, variable-speed 160 CFM blower has a temperature sensor for automatic fan start and stop.
- Gas components are A.G.A. safety certified and the 18" stainless steel gas connector with a shut-off valve permits gas line entry from either side.
- Burner pan is installed after gas connection to insure safe and easy hook-up.
- Economical four-inch flue has a quick-lock flue connector for trouble-free attachment.
- One-year Limited Warranty.

UNIT DIMENSIONS: Refer to the installation guide for complete instructions. Specifications subject to change. Consult Technical Guide for complete listings, unit and installation dimensions.



HEATILATOR is a registered trademark of Heatilator Inc., Division of HON INDUSTRIES

