



heatilator®

The first name in fireplaces

Heatilator Inc.
1915 W. Saunders Street
Mt. Pleasant, IA 52641
Division, HON INDUSTRIES



G112HA G360S G760CH G920FL G112HAL G360SL G760CHL G920FLL INSTALLATION & OPERATING INSTRUCTIONS

I. LISTINGS AND CODE APPROVALS

These vented decorative gas appliances with standing pilot have been tested in accordance with National Safety Standards, and have been LISTED by Underwriters Laboratories Inc. and Canadian Gas Association for installation and operation as described in these Installation & Operating Instructions. Installations must be done by qualified installers only.

Check with your local building code agency before you begin installation to ensure compliance with local codes, including the need for "permits" and follow-up inspections. If any problems are encountered regarding code approvals, or if you wish clarification of any of the instructions contained here, contact: Customer Relations Department, Heatilator Inc., 1915 W. Saunders Street, Mt. Pleasant, Iowa 52641. HEATILATOR® is a registered trademark of Heatilator Inc., Division, HON INDUSTRIES.

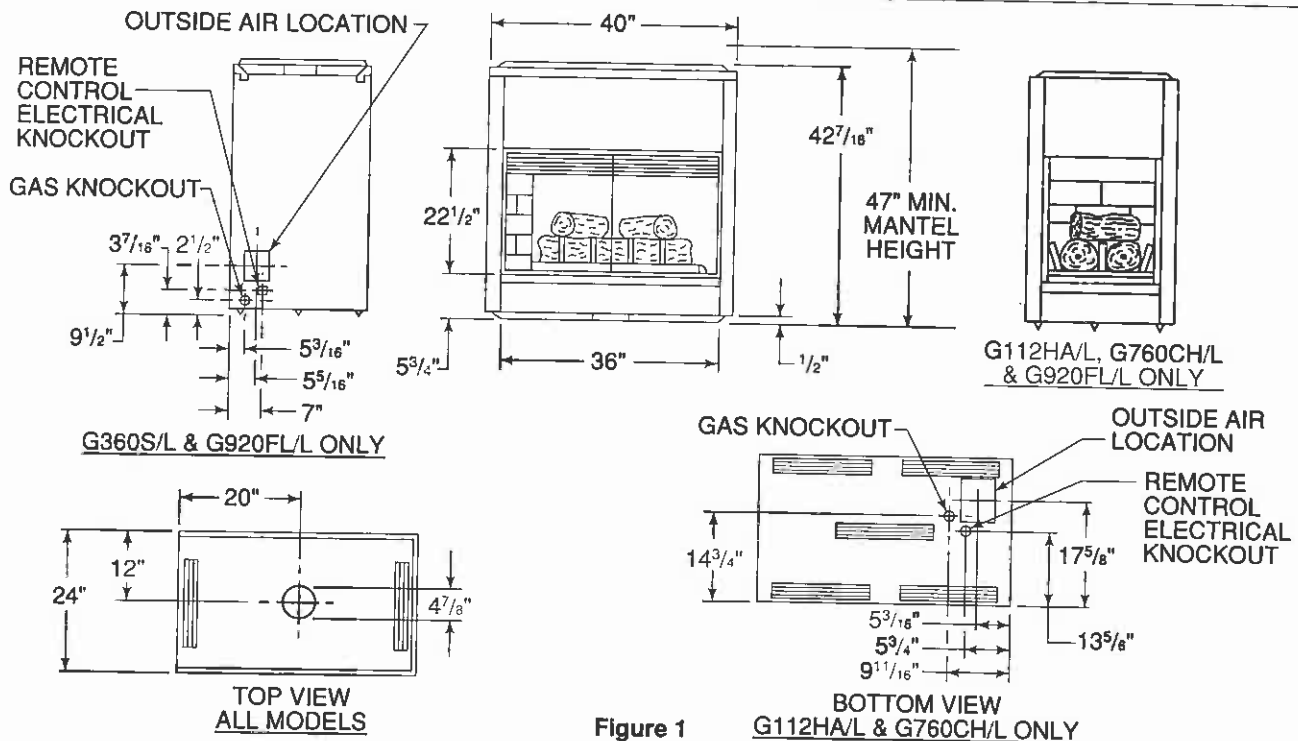
FOR YOUR SAFETY

IF YOU SMELL GAS:

1. OPEN WINDOWS.
2. DON'T TOUCH ELECTRICAL SWITCHES.
3. EXTINGUISH ANY OPEN FLAMES.
4. IMMEDIATELY CALL YOUR GAS SUPPLIER.

FOR YOUR SAFETY

DO NOT STORE OR USE GASOLINE OR OTHER FLAMMABLE VAPORS AND LIQUIDS IN THE VICINITY OF THIS OR ANY OTHER APPLIANCE.



The table below shows only those components which may be safely used with these decorative gas appliances.

Catalog Number		Description
G112HA	G112HAL	Island Fireplace
G360S	G360SL	See-Thru Fireplace
G760CH	G760CHL	Bay Fireplace
G920FL	G920FLL	Peninsula Fireplace
TK53B		Polished Brass Front Trim Kit for , G112HA/L, G360ST/L & G920FL/L
TK54B		Polished Brass End Trim Kit for G112HA/L & G920FL/L
TK55B		Polished Brass Front Trim Kit for G760CH/L
ID4		Insulated Duct/Outside Air
UD4		Uninsulated Duct/Outside Air
RC4		Remote Control Kit
JK4		Junction Box Kit (Required with RC4 Remote Control Kit only)

II. GENERAL INFORMATION

This installation must conform with local codes or, in the absence of local codes, with the National Fuel Gas Code, ANSI Z223.1-1988 or, in Canada, current CAN/CGA-B149.1 and B149.2 installation codes.

INSTALLATION AND REPAIR SHOULD BE DONE BY A QUALIFIED SERVICE PERSON. THE APPLIANCE SHOULD BE INSPECTED BEFORE USE AND AT LEAST ANNUALLY BY A QUALIFIED SERVICE PERSON. MORE FREQUENT CLEANING MAY BE REQUIRED DUE TO EXCESSIVE LINT FROM CARPETING, BEDDING MATERIAL, ETC. IT IS IMPERATIVE THAT CONTROL COMPARTMENTS, BURNERS AND CIRCULATING AIR PASSAGEWAYS OF THE APPLIANCE BE KEPT CLEAN.

This gas appliance must not be connected to a chimney flue serving a separate solid fuel burning appliance.

Provide adequate clearances around the air openings into the combustion chamber and adequate accessibility clearances for servicing and proper operation.

Minimum clearances to combustibles are: Top of unit 0", Floor 0", Back 1/2", Sides 1/2", Ceiling 30". **NOTE: All clearances to glass panels are shown in Table 1.**

The appliance must be installed on a flat, solid, continuous surface (i.e. wood, metal, concrete).

Provide for adequate combustion and ventilation air.

For Natural Gas, the minimum inlet gas supply pressure is 4.5 inches water column, the maximum inlet gas pressure is 11.0 inches water column and the manifold pressure is 3.5 inches water column, for the purpose of input adjustment. For LP Gas, the water column pressure must be at 11.0 inches minimum to 14.0 inches maximum, and the manifold pressure is 11.0 inches. Input rate is 28,000 BTU/HR.

A 1/8" NPT plugged tapping is provided on the gas control valve, near the outlet to the Main Burner immediately upstream of the gas supply connection to the appliance, accessible for a test gage connection.

For high elevation, refer to ANSI Z223.1-1988, Appendix F, for resizing orifice. A derated orifice is supplied with your unit.

DUE TO HIGH TEMPERATURES, THE APPLIANCE SHOULD BE LOCATED OUT OF TRAFFIC AND AWAY FROM FURNITURE AND DRAPERIES.

Minimum installation dimensions to combustibles are as follows:

Table 1

	G112HA/L	G360S/L	G760CH/L	G920FL/L
Min. Mantel Height From Unit Base	47"	47"	47"	47"
Min. Side Wall Clearance To Glass	12"	NA	12"	12"
Min. Clearance to Unit Front (Doors)	30"	30"	30"	30"
Min. Side Wall Clearance to Closed End (End Without Glass)	NA	1"	0"	1"

III. STEP-BY-STEP INSTALLATION

STEP 1

If an optional RC4 Remote Control Kit is to be used, wiring should be done at this time. The appliance must be electrically wired and grounded in accordance with local codes or, in the absence of local codes, with National Electric Code ANSI/NFPA 70-1984 or, in Canada, the current CSA C22.1 Canadian Electrical Code. A wiring diagram is provided with this accessory.

STEP 2

Install the gas line piping up to the appliance. Use Figure 1 to determine the exact location for unit entrance. A 3/8" NPT gas connection should be used. For a gas line connection of 25' long, it is recommended to use 1/2" pipe, then reduce to 3/8" pipe at the unit. A separate shut-off gas valve (not supplied) should always be installed. Plan ahead for easy access.

STEP 3

Slide the unit into position.

STEP 4

Secure the unit to the wall or floor using a minimum of (4) fasteners.

STEP 5

Connect 5" listed type B-1 Vent to the vent collar of the appliance. Follow all B-1 Vent listings and requirements. Means for visual inspection of the flue connection, with the appliance installed as it would be in service, shall be provided.

STEP 6

Connect the wall switch wires to the valve as shown in Figure 3. To ease in making connections, remove the logs, grate, valve access and valve cover assembly. The wall switch should be installed in a convenient location. A wall switch and 18 ga. wire are provided with the unit. Pass the wire through the plastic wire pass-throughs located on the right hand side of the unit. **NOTE: The maximum length is 40 ft.** Connect the gas line to the appliance valve inlet, using 3/8" pipe. Check for gas leaks with a soap and water solution. See Figure 2 for the location of gas valve. It is recommended to use a flexible gas connector to ease in installation. Run the 3/8" pipe approximately 3" into the unit. Connect a 12" to 18" flexible connector to the pipe and valve. Return all components to their correct position.

NOTE: During any pressure testing of the gas supply piping system that exceeds test pressures of 1/2 psig, this appliance and its individual shut-off valve must be disconnected from the piping system. If test pressures equal to or less than 1/2 psig are used in pressure testing the gas supply piping system, this appliance must be isolated from the piping system by closing its individual manual shut-off valve during testing.

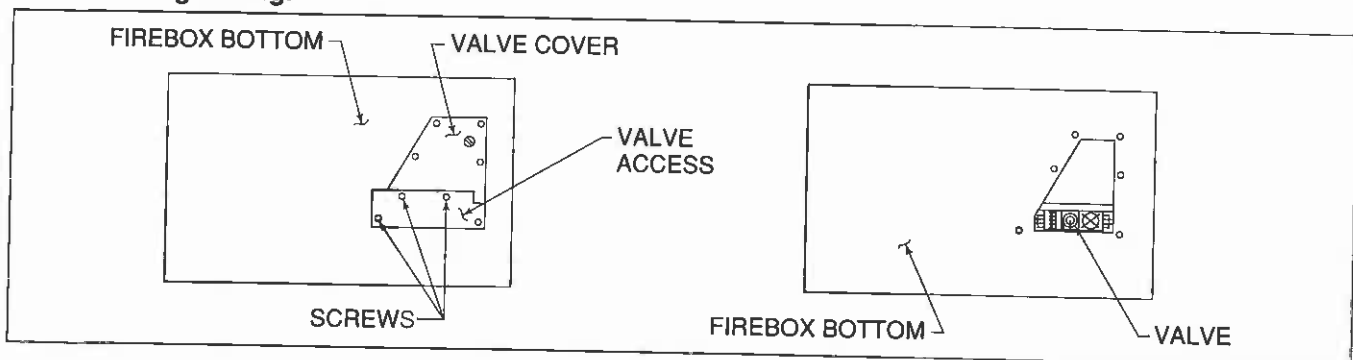


Figure 2

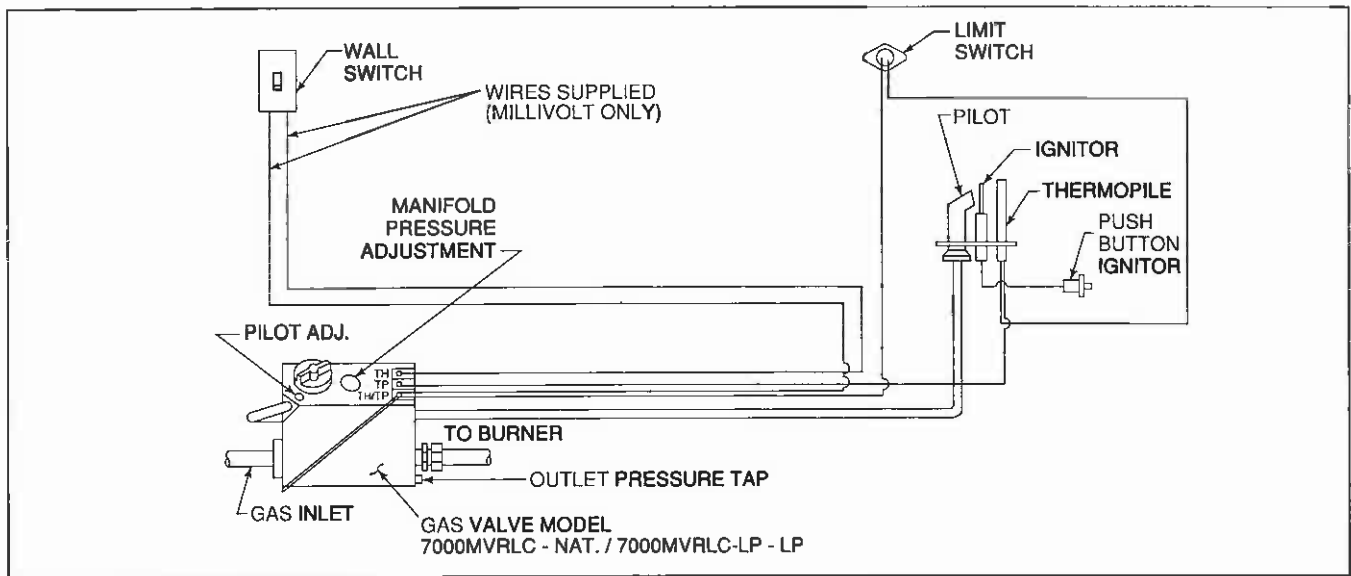


Figure 3

STEP 7

If outside air is used, install it prior to enclosing the unit with drywall or other finishing materials. The maximum length of the Air Duct, ID4 or UD4, is 12' with a maximum 8' vertical rise.

STEP 8

Finishing the Unit. When finishing the face of the unit, combustible material may be brought up to the sides of the unit, but must never overlap onto the black metal. The black metal may be covered with non-combustible material only. **NOTE: You cannot cover any of the air slots in the unit, as this may create a fire hazard.** If a mantel is to be used, a minimum of 47" from the base of the unit must be maintained.

STEP 9

Position the logs as shown in the Replacement Parts section. The front and rear logs must be positioned against the inside of the burner supports to provide a 2 1/2" spacing between them.

STEP 10

Place Lava Rock in position after putting the valve access in position. Pour Lava Rock on the floor of the unit and spread evenly to cover base. Don't get any rock in burner. If you do, clean the burner with a vacuum.

STEP 11

Install the glass doors shipped with the unit using the instructions accompanying them. Utilize the top door track(s) already installed on the appliance and discard the extra track(s) shipped with the door kit(s). **NOTE: This gas appliance must only be operated with the doors closed and secured.** A door retainer has been provided to secure each door set. To install, pull the doors open slightly to provide access to the ends, then attach the doors to each other at the top with the door retainer and screws provided. See Figure 4. Finally, push the doors back to the fully closed position.

IV. OPERATING INSTRUCTIONS

This gas appliance uses a millivolt control system consisting of a Pilot Burner, Thermopile, Gas Control Valve, Limit Switch and an On/Off Switch.

LIGHTING PROCEDURE

1. Turn the wall switch to the "Off" position.
2. Turn the gas knob to the "Off" position.
3. Wait five minutes to allow gas that may have accumulated in the main burner compartment to escape.
4. Turn the gas knob to the "Pilot" position.
5. Depress and hold the gas knob while pressing the ignitor button. Allow the pilot to burn 1 1/2 minutes before releasing the gas knob.
6. Turn the gas knob to the "On" position.
7. Turn the wall switch to the "On" position. This will turn on the main burner.

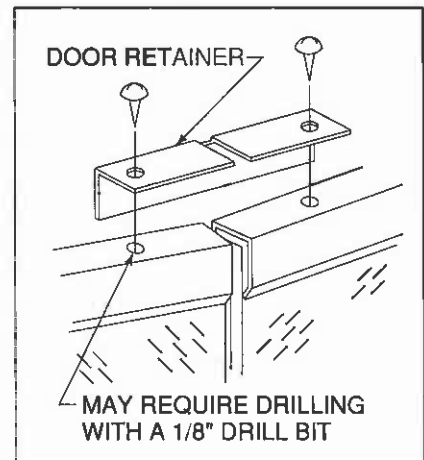


Figure 4

SHUTDOWN PROCEDURE

1. To shut off the main burner, move the wall switch to the "Off" position.
2. Turn the valve gas knob to the "Off" position.

PILOT BURNER ADJUSTMENT (Preset at factory)

1. Remove the pilot adjustment cap. See Figure 3.
2. Adjust the pilot key to provide properly sized flame. See Figure 5.
3. Replace the pilot adjustment cap.

MAINTENANCE INSTRUCTIONS

Keep the burner and control compartment clean by brushing at least once a year. Always turn off the gas before cleaning.

Periodically visually check the flame of the pilot and burner, making sure the flames are steady; not lifting or floating. The flame color should be blue with yellow tips. The top 3/8" of the pilot sensor should be covered with flame. See Figures 5 and 6.

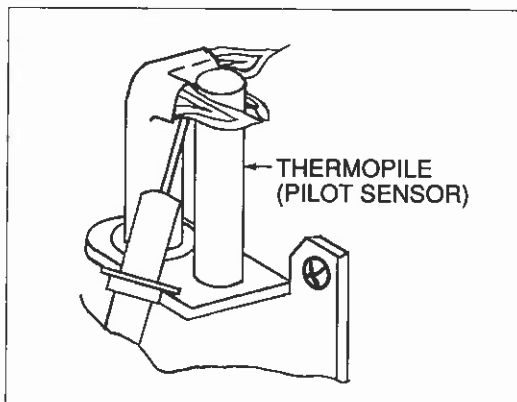


Figure 5

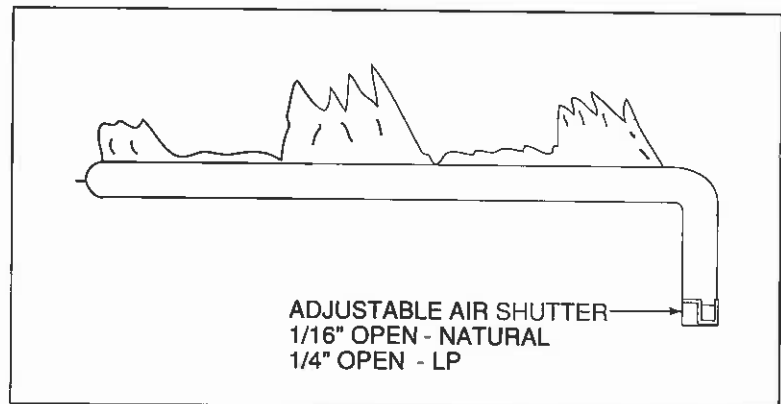


Figure 6

The appliance and venting system should be inspected before use, and at least annually, by a qualified field service person, to ensure that the flow of combustion and ventilation air is not obstructed. Keep the area near the appliance clear and free from combustible materials, gasoline and other flammable vapors and liquids.

NOTE: When first operated, the unit will release an odor for about an hour. This is caused by the curing of the paint and the burning off of any oils remaining from manufacturing.

WARNING

CHILDREN AND ADULTS SHOULD BE ALERTED TO THE HAZARDS OF HIGH SURFACE TEMPERATURE AND SHOULD STAY AWAY TO AVOID BURNS OR CLOTHING IGNITION. YOUNG CHILDREN SHOULD BE CAREFULLY SUPERVISED WHEN THEY ARE IN THE SAME ROOM AS THE APPLIANCE.

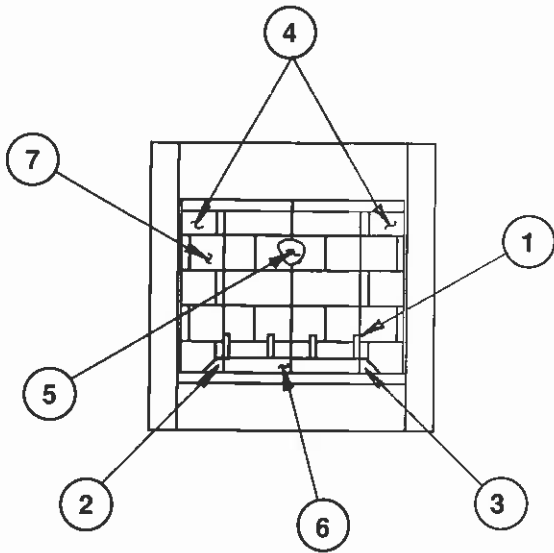
CAUTION

ANY SAFETY SCREEN OR GUARD REMOVED FOR SERVICING AN APPLIANCE MUST BE REPLACED PRIOR TO OPERATING THE APPLIANCE.

CLOTHING OR OTHER FLAMMABLE MATERIAL SHOULD NOT BE PLACED ON OR NEAR THE APPLIANCE.

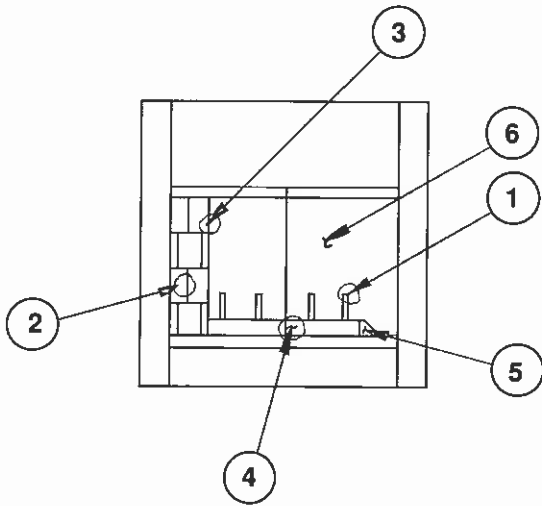
Log Replacement. Logs can be lifted out of position. If for any reason one should need replacement, you must use the proper replacement log. The position of these logs must be as shown in the diagram under Replacement Parts. The front and rear logs must be positioned against the inside of the burner supports to provide a 2 1/2" spacing between them. The top logs must be in the position as shown. **NOTE: Improper positioning of logs may create carbon build-up and will alter the unit's performance.**

REPLACEMENT PARTS



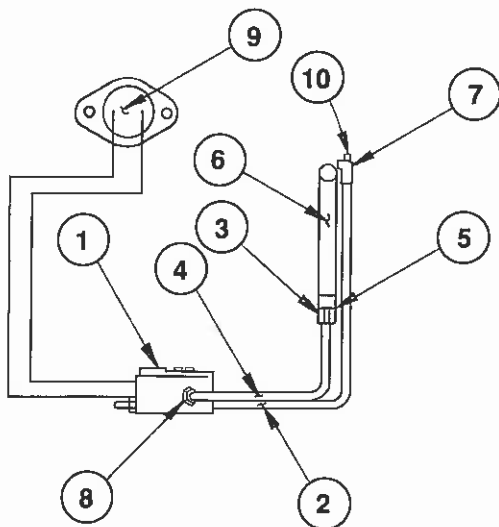
G760CH/L

ITEM	PART NO.	DESCRIPTION
1	14386	Grate
2	13827	Left Side Ash Lip
3	13828	Right Side Ash Lip
4	13833	Side Refractory
5	12031	Back Refractory
6	13214	Front Ash Lip
7	13576 13744	Left Door Assembly Right Door Assembly

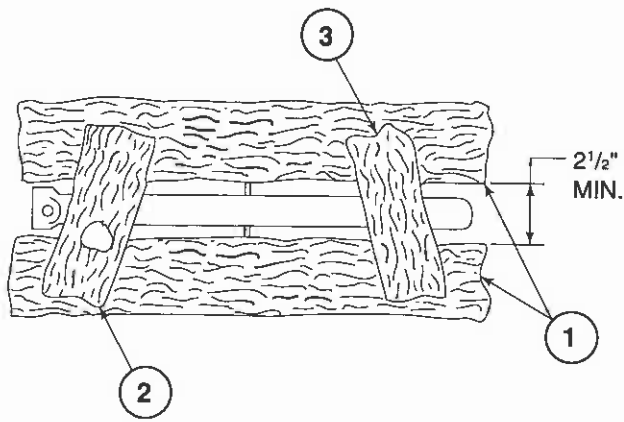


G112HA/L, G360S/L & G920FL/L

ITEM	PART NO.	DESCRIPTION
1	14386	Grate
2	13319	Back Refractory
3	13320	Side Refractory
4	13214	Front Ash Lip
5	13215	Side Ash Lip
6	13576 13744	Left Door Assembly Right Door Assembly



ITEM	PART NO.	DESCRIPTION
1	12191 14160	Gas Valve - Natural Gas Valve - LP
2	15074	1/4" Pilot Tubing
3	13405	3/8" Bulkhead
4	15072	3/8" Burner Tubing
5	13410 13445	Orifice - Natural Orifice - LP
6	13407	Burner Assembly
7	13406 13444	Pilot Ass'y. - Natural Pilot Ass'y. - LP
8	13425	Male Connector
9	13595	Limit Switch
10	13411	Thermopile



ITEM	PART NO.	DESCRIPTION
1	13421	Front Logs
2	13424	Left Log
3	13423	Right Log

Position top logs over single porting of burner.

Replacement parts are available from your distributor/dealer, or through Heatilator Inc., 1915 W. Saunders Street, Mt. Pleasant, Iowa 52641.

TROUBLE SHOOTING

<u>Problem</u>	<u>Cause</u>	<u>Corrective Action</u>
1. Spark ignitor will not light the pilot after repeat pressing of Red Button.	A. Defective ignitor. B. Misaligned electrode at pilot.	Check for loose connections on electrode and ignitor. Check for spark. If electrode connection is correct and no spark, replace ignitor. Spark should be extending approx. 1/8" to thermopile. Adjust gap to give proper spark. Remove hands from electrode before pressing Red Button.
2. Pilot light will not stay lit.	A. Defective pilot thermopile.	Check pilot flame. See Fig. 5. Adjust flame if necessary. Be sure thermopile is secured tight into pilot bracket. Be sure wiring connections are tight throughout system, including high limit switch. Check thermopile voltage with millivolt meter. Depress valve knob and light pilot. Meter should read min. of 325 millivolt. If not, replace thermopile.
3. With pilot lit, valve and wall switch in "ON" position, no gas to burner.	A. Wall Switch defective. B. Plugged burner orifice.	Check wall switch for proper connections. Connect wires across terminal at wall switch. If burner comes on, replace wall switch. If burner does not come on, connect to wall switch junctions at valve. If burner comes on, replace wires. Check burner orifice; remove blockage.



Attention
**Fireplace
Installer:**

*Please return operating
and installation
instructions to the firebox
for consumer use.*

heatilator
The first name in fireplaces