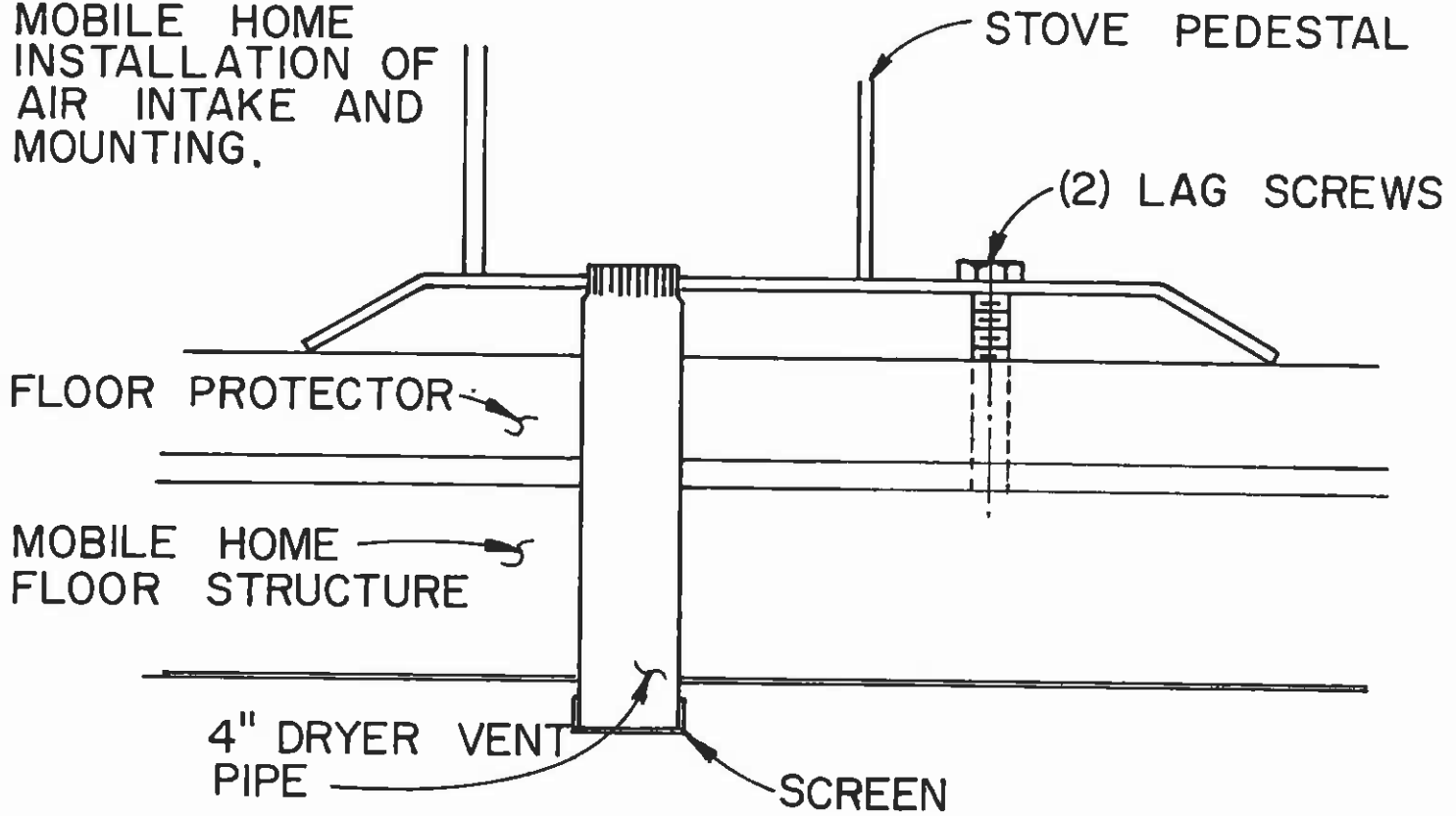


**MOBILE HOME  
INSTALLATION OF  
AIR INTAKE AND  
MOUNTING.**



**FIGURE 7**

**ASSEMBLY INSTRUCTIONS FOR STOVE**

1. Remove all loose parts and packing from pedestal and stove.
2. Locate pedestal in desired position (See Section: Location of Stove). If mobile home installation, drill 4 inch diameter hole through floor of mobile home. Install 4 inch diameter dryer vent pipe and (2) lag screws. (Figure 7).
3. Close shut off plates and tighten (2) phillips head screws. (Mobile home application only). (See Fig. 8)
4. Install insulation on top of pedestal. Set stove on top, line up holes and check operation of butterfly valve for air intake. Bolt stove together with (4) 1/4-20 UNC bolts. (See Fig. 8)
5. Install blower with (4) 1/4-20 UNC bolts. (See Fig. 8)
6. Install flue adapter on top of stove, with two screws supplied.
7. Install connector pipe (See Section: Connector Pipe Installation).
8. Install trim ring. (See Figure 6)
9. Failure to install appliance properly could cause a house fire.

**WARNING:** Stoves should be operated with doors fully closed. If door is left partly open, gas and flame may be drawn out of the stove opening creating risks from both fire and smoke.

**TABLE OF CLEARANCES**

	Dimensions		
	A	B	C
Residential W/Single Wall Chimney Connector	10	14	15
Residential W/Metalbestos, Jackes-Evans (GWS) or Security Chimney System	6	9	14
Mobile Home W/Metalbestos, Jackes-Evans (GWS) or Security Chimney System	6	9	14
Mobile Home W/Dura-Vent Chimney System	9	13	14

# CC200 STOVE ASSEMBLY

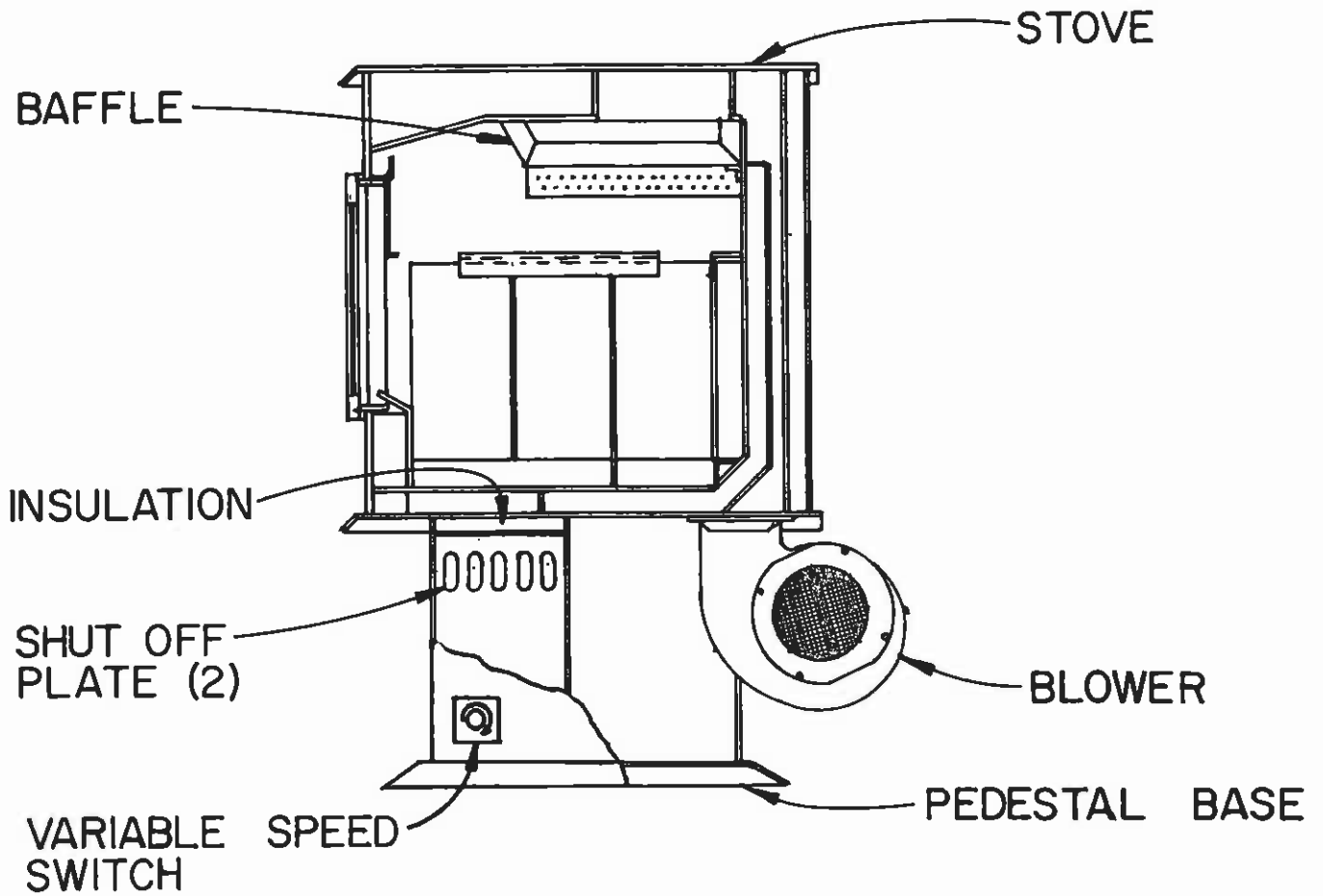


FIGURE 8

**NOTE:** Do not connect this unit to a chimney flue serving another appliance.

**NOTE:** Warning - Do not install in a sleeping room.

**CAUTION:** The structural integrity of the mobile home floor, wall and ceiling/roof must be maintained.

#### **CREOSOTE - FORMATION AND NEED FOR REMOVAL**

When wood is burned slowly, it produces tar and other organic vapors, which combine with expelled moisture to form creosote. The creosote vapors condense in the relatively cool chimney flue of a slow-burning fire. As a result, creosote residue accumulates on the flue lining. When ignited, this creosote makes an extremely hot fire.

The chimney connector and chimney should be inspected at least twice monthly during the heating season to determine if a creosote buildup has occurred.

If creosote has accumulated, it should be removed to reduce the risk of a chimney fire.

#### **OPERATING INSTRUCTIONS**

The CC200 is provided with a manual air control located on the side of the appliance. This controls the amount of combustion air available to the fire and it should be set on high before starting the fire.

To start the fire, place crumpled newspaper on the firebox floor and cover with kindling wood. Light the paper in several places. Close the door enough to prevent smoke from spilling into the home.

After the kindling is burning well gradually add larger pieces of wood. The use of well seasoned wood is recommended. Once the larger pieces of wood are burning well the door can be closed and the air control adjusted to obtain the desired heat output. It will be necessary to experiment with the air control to determine the proper setting for your home heating requirements.

#### **SEASONED WOOD**

Green or wet wood should not be used in your appliance. Wet or green wood creates a very slow fire and a lot of gases that form creosote in the chimney. It takes a very hot fire to draw moisture out of the wood before it can ignite. Green wood should be allowed to dry for at least 6 months (1 year is preferred).

Split wood should be stacked and covered to allow air to flow over wood and dry properly. Wood cannot be left to sit in any kind of wet or damp area or it will never become completely seasoned. Dry seasoned wood will burn completely and produce the proper BTU's to create a hot fire. In the following table the BTU rating is assuming 20% moisture content.

#### **COMMON FIREWOOD**

Type of Wood	Splitting	BTU's Per Cord	Comments
Oak	Fair	27 million	Excellent Fuel
Walnut	Fair	24 million	
Elm	Doesn't	23 million	Poor Fuel
Maple	Fair	22 million	Fuel
Birch	Hard	19 million	Aromatic
Cherry	Fair	19 million	
Fir	Easy	18 million	Kindling
Ash	Well	17 million	Good Fuel
Cedar	Very Well	15 million	Noise & Sparks
Pine	Very Well	13 million	Kindling
Redwood	Fair	11 million	

When opening the door with the stove in operation, the door should be opened one-half inch for approximately fifteen seconds before opening it completely. This will help eliminate the sudden burst of flame caused by introduction of air and will allow smoke to move out of the stove more competely.

#### **BREAK IN PERIOD**

It is possible that the stove may smoke during the first few fires. The first four or five fires should be small and slow fires, this allows the cast iron to cure and the stove metal to temper. Adequate room ventilation should be used in case of smoking.

#### **BLOWER CONTROLS & OPERATION**

The blower is operated with variable speed switch located on the lower right hand side of the pedestal. Plug power supply cord into near by outlet and route cord away from stove. To operate blower, turn knob clockwise to desired air flow. To shut blower off, turn knob counterclockwise to off position.

#### **PREPARING THE STOVE TO HOLD FIRE OVERNIGHT**

Fill the stove about one-half to two thirds full of good properly seasoned wood. Adjust the air control to low. It might be necessary to vary the air control setting slightly to maintain proper air supply to keep fire burning. As you gain experience with your stove, you will discover the setting which produces the amount of heat and provides the length of burn time best suited for your heating needs.

#### **FUEL**

The CC200 Series stove is designed to burn wood only. Do not burn coal or other fuels with this model.

#### **ASHES**

On the CC200 Series, the ashes should be removed regularly to avoid excessive buildup in the fire chamber and to avoid primary air passage blockage. The ashes should be removed after the fire has died out.

### **DISPOSAL OF ASHES**

Ashes should be placed in a metal container with a tight fitting lid. The closed container of ashes should be placed on a non-combustible floor or on the ground, well away from all combustible materials, pending final disposal. If the ashes are disposed of by burial in soil or otherwise locally dispersed, they should be retained in the closed container until all cinders have thoroughly cooled.

### **CAUTION!**

The cabinet, cast iron doors, and other parts of the stove and flue pipe get very hot when the stove is in use. Fireproof gloves should be worn at all times when tending the fire, removing ashes or any other time direct contact with hot parts is possible.

If at anytime your stove or connector pipe begins to glow, you are overfiring. Immediately turn the air intake valve to low. Do not add fuel or open drafts until the glowing stops and the unit has cooled.

### **MAINTENANCE INSTRUCTIONS**

1. At the beginning of each heating season-the stove, connector pipe and chimney should be inspected to see that it is in good working condition. The connector pipe and chimney should be cleaned of creosote and other residues.
2. The firebrick lining of your stove should be checked at least once a year. All broken firebricks should be replaced. New firebrick can be obtained from your COUNTRY COMFORT dealer.
3. Failure to maintain or properly use the appliance may cause a house fire.

The address of the NFPA is Batterymarch Park, Quincy, MA 02269. Some additional publications of interest from the NFPA are as follows:

Heat Producing Appliance Clearances (NFPA #89M)  
Chimneys, Fireplaces and vents (NFPA #211)

Reprints and excerpts from NFPA 211, 1977 are reprinted with permission, National Fire Protection Association, Batterymarch Park, Quincy, MA 02269

## **COUNTRY COMFORT APPLIANCE LIMITED WARRANTY**

Under the conditions of this warranty, the manufacturer of the COUNTRY COMFORT appliance warrants that the appliance is free from defects in material and workmanship for normal home use. The obligation under this warranty shall be limited to repair and/or replacement of any part or parts of the appliance which prove defective under normal home use and service within five (5) years from the date of sale of the appliance to the original purchaser and which shall be found defective by manufacturer or its authorized agent. This warranty is expressly in lieu of all other warranties expressed or implied, including warranties by statute, operation of law, or otherwise.

Manufacturer assumes no obligations or liabilities except as stated in this limited warranty which is provided for the purpose of stating the total obligations and liabilities under which manufacturer sells the appliance and to provide the original purchaser with an express, extended limited warranty. No person is authorized to bind manufacturer to any obligation or liability and this warranty expresses the legal obligations of the manufacturer to the original purchaser. No obligation is assumed with respect to any other party. Manufacturer assumes no liability or obligation for any unit or accessory altered by purchaser.

This warranty does not apply to this appliance or any part thereof which has been subject to accident, negligence, alterations, abuse or even if used only for home applications. The manufacturer, Orrville Products, Inc., makes no warranty whatsoever in respect to accessories or parts not manufactured by Orrville Products, Inc., and which bear the name of the actual manufacturer. As to such items, the limited warranty of the accessory or part, to the extent allowed, is transferred from Orrville Products, Inc., to the original purchaser. Paint finish, fire brick and glass are expressly excluded from this warranty.

The original purchaser, as used in this warranty, shall be that person to whom the COUNTRY COMFORT appliance is originally sold for home use.

This warranty shall be effective only if the original purchaser of the COUNTRY COMFORT appliance is registered with Orrville Products, Inc., by sending this warranty form to Orrville Products, Inc., within thirty (30) days of the date of purchase of the date upon which the original purchaser takes possession of the appliance, whichever comes first. Such registration or the failure to register shall not be deemed to create any obligation or liability by the manufacturer and this warranty with its conditions and limitations shall be the only procedure for obtaining any rights against the manufacturer and expresses the sole obligations and responsibilities of the manufacturer which are offered to the original purchaser and accepted upon purchase of the appliance.

Any cause of action by the original purchaser against the manufacturer under this warranty can be only at the situs of Orrville Products, Inc., and the laws of the State of Ohio shall be applicable to this warranty.

