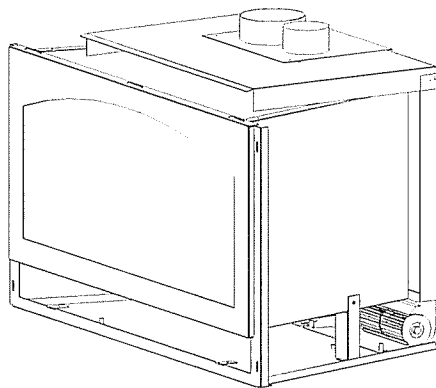




INSTALLATION AND OPERATING MANUAL

MODEL #911 DIRECT VENT INSERT



U.S. PATENTS:

#5.931.154

#6.004.493

**IMPORTANT:
READ ALL INSTRUCTIONS CAREFULLY BEFORE
INSTALLATION. FAILURE TO INSTALL THIS
FIREPLACE INSERT CORRECTLY CAN CAUSE SERIOUS
STRUCTURAL AND FIRE HAZARDS AND
MAY VOID YOUR WARRANTY.**



GLOBAL POSITIONING: N43° 40.177' W095° 10.662'
www.kozyheat.com

April 2004

INDEX

Safety Requirements	1
Requirements of Existing Fireplace	2
Insert Fireplace Specifications	3
Preparing The Existing Fireplace	4
Gas Line Installation Requirements - Minimum/Maximum Pressures	4-5
Insert Preparation	6-7
Remove the Quick-latch Glass Assembly	6
Remove the Millivolt Board	6
Remove the Baffle & Air Duct	7
Installing the Insert	7-14
Co-Linear Vent System	7-9
Masonry Side Panel Installation	7
Install the Vent System	8-9
Co-Axial Vent System	10-12
Position the Insert & Secure the Air Duct	12-13
Replace the Baffle	13
Secure Masonry Side Panels to Fireplace front (Co-linear unit only)	13
Replace the Millivolt Board	14
Attach The Shroud	15
Fan Installation	16
Log Installation	17
Complete the Installation -	
Initial Lighting / Seasonal Heat Dump Adjustment /	
Replace the Glass Assembly / Install the Lower Grill	18
Thermostat - Remote Control - Wall Switch Installation	19
Lighting & Shutdown Procedures	20-21
Manifold (outgoing) & Inlet (incoming) Pressure Check Procedures	22
Maintenance Requirements	23
Troubleshooting	24-25
Replacement Parts	26
Warranty Policy	27-28

**MODEL #911 DV
DIRECT VENT GAS BURNING FIREPLACE INSERT**

INSTALLATION & OPERATING INSTRUCTIONS

**IMPORTANT:
READ THIS MANUAL BEFORE INSTALLING AND USING THIS FIREPLACE**

This fireplace has been tested to and complies with ANSI Z21.88-2002•CSA 2.33-M02 'VENTED GAS FIREPLACE HEATERS'. Installation must conform with local building codes or in the absence of local building codes, with the National Fuel Gas code, ANSI Z223.1 NFPA 54 - Current Edition.

WARNING: If the information in this manual is not followed exactly, a fire or explosion may result causing property damage, personal injury or loss of life.

FOR YOUR SAFETY

WHAT TO DO IF YOU SMELL GAS:

- ▶ Do not touch electrical switches.
- ▶ Do not try to light any appliance.
- ▶ Do not use any phone in your building.
- ▶ Immediately call your gas supplier from a neighbor's phone.
- ▶ Follow the gas supplier's instructions.
- ▶ If you cannot reach your gas supplier, call the fire department.

- ▶ Do not store or use gasoline or other flammable vapors and liquids in the vicinity of this or any other appliance.

WARNING: Improper installation, adjustment, alteration, service or maintenance can cause injury or property damage. Refer to this manual. For assistance or additional information consult a qualified installer, service agency, or the gas supplier.

WARNING: DO NOT REPLACE THIS BURNER UNIT WITH ANY OTHER SIZED BURNER. REPLACEMENT WITH AN UNAUTHORIZED BURNER CAN RESULT IN TEMPERATURES EXCEEDING THE LIMITS FOR THIS UNIT AND VOID YOUR WARRANTY.

THIS APPLIANCE MAY BE INSTALLED IN AN AFTERMARKET PERMANENTLY LOCATED, MANUFACTURED (MOBILE) HOME WHERE NOT PROHIBITED BY LOCAL CODES. THIS APPLIANCE IS ONLY FOR USE WITH THE TYPE(S) OF GAS INDICATED ON THE RATING PLATE. THIS APPLIANCE IS NOT CONVERTIBLE FOR USE WITH OTHER GASES, UNLESS A CERTIFIED KIT IS USED.

DUE TO HIGH TEMPERATURES, THIS FIREPLACE SHOULD BE LOCATED OUT OF TRAFFIC AND AWAY FROM FURNITURE AND DRAPERIES

Warning: This Product Must Be Installed By A Licensed Plumber or Gas Fitter When Installed Within the Commonwealth of Massachusetts.

Do not use this fireplace if any part has been under water. Immediately call a qualified service technician to inspect this appliance and to replace any part of the control system and any gas control which has been under water.

YOUNG CHILDREN SHOULD BE CAREFULLY SUPERVISED WHEN THEY ARE IN THE SAME ROOM AS THIS FIREPLACE.

CHILDREN AND ADULTS SHOULD BE ALERTED TO THE HAZARDS OF HIGH SURFACE TEMPERATURE AND SHOULD STAY AWAY TO AVOID BURNS OR CLOTHING IGNITION.

The efficiency rating of this appliance is a product thermal efficiency rating determined under continuous operating conditions and was determined independently of any installed system.

THIS UNIT IS APPROVED FOR INSTALLATION IN FACTORY-BUILT ZERO-CLEARANCE SOLID FUEL AND MASONRY FIREPLACES.

WARNING: Failure to use only parts specifically approved with this appliance may result in property damage or personal injury.

The existing fireplace must meet the following requirements:

1. A gas line must be able to be installed to the insert.
2. Existing Chimney:
 - Class "A" metal chimney: Co-axial 4" x 6" venting - 7" minimum inside diameter.
Co-linear 3" x 4" venting - 8" minimum inside diameter.
 - Masonry Chimney: Co-linear 3" x 4" venting - 6" x 8" minimum inside diameter.
3. The inside dimensions of the fireplace with the firebrick and smoke baffle *REMOVED* must be at least:
Height: 19" Front Width: 31 1/2"
Depth: 16 1/4" Width at minimum depth location: 21"
4. The height of existing chimney must be a minimum of 12 ft.
Maximum height of existing chimney: Co-axial venting: 40 ft.
Co-linear venting: 30 ft.

To Determine the length of your existing chimney:

- A) Remove the chimney cap.

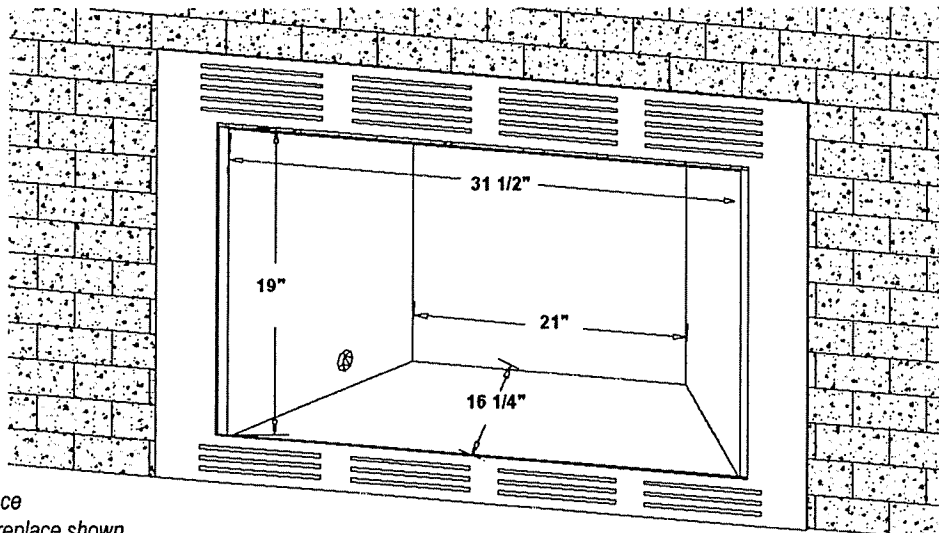
NOTE: It is helpful to have two people complete the next step in determining chimney height:

- B) With one person at the fireplace and the other person at the top of the chimney, measure from the base of the fireplace to the top of the chimney. Subtract 24" for the height of the #911 insert. This is the total length of 4" x 6" flexible aluminum you will require.

MEASUREMENT FROM BASE OF FIREPLACE TO TOP OF CHIMNEY: _____
LESS: -24"
TOTAL CHIMNEY LENGTH REQ.: _____

5. Minimum clearance from outlet grill on the insert to a combustible mantel: 12"
Minimum clearance from the side of the insert glass (glazing) to side wall: 10"

MINIMUM OPENING DIMENSIONS

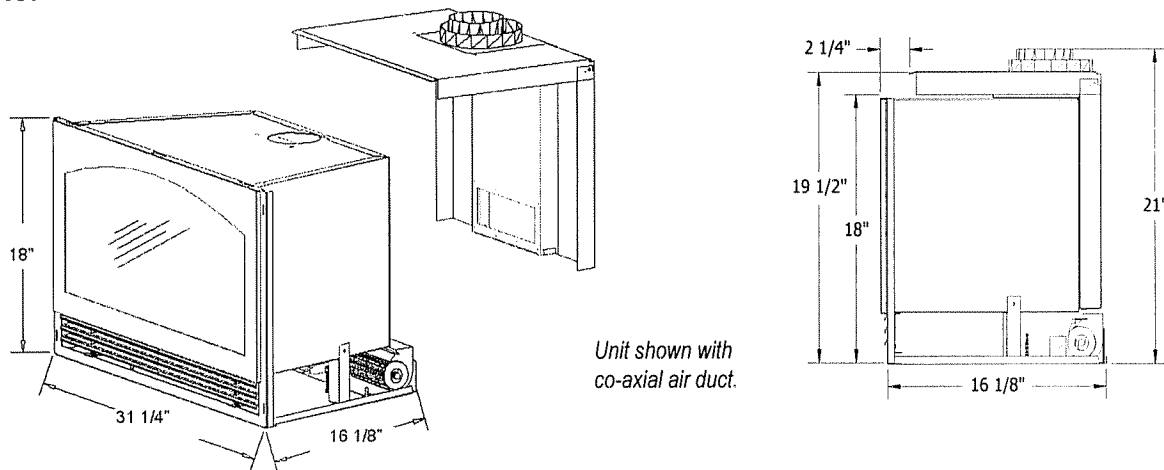


Zero Clearance
Solid Fuel Fireplace shown

ALL DIMENSIONS ARE MINIMUM REQUIREMENTS

SPECIFICATIONS:

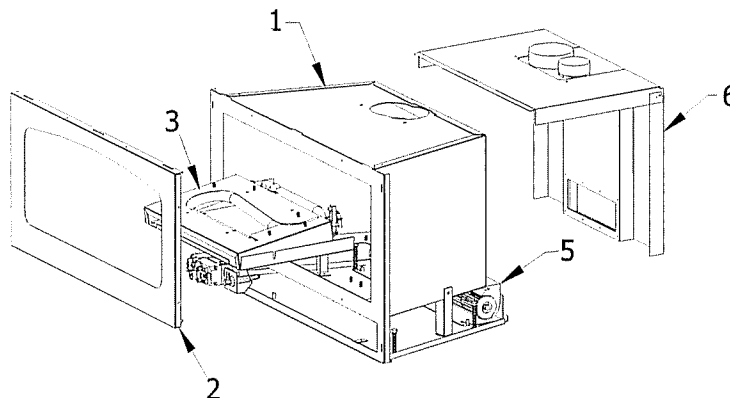
Height: 18"
Width: 31 1/4"
Depth: 16 1/8"



Check the assembly diagram below to ensure you have all the necessary components to properly install this fireplace insert.

This insert includes the following:

1. Unit.
2. Spring-loaded latch glass assembly.
3. Millivolt board with burner cover.
4. Log set (see page #17)
5. 150 CFM fan with limit switch and speed control.
6. Co-linear air duct



NOTE: A optional masonry panel kit #911-MSP (not shown) is available and can be installed on this fireplace when it is installed in a existing masonry opening that is larger than fireplace insert. Its purpose is to concentrate flow of heated room air between the firebox and the panel walls.

Additional components which are necessary for proper installation are:

1. Vent System:

Part #815-CA: For use with minimum 7" I.D. Class 'A' metal chimneys - Includes 12 ft. compressed expandable to 32 ft. co-axial 4" x 6" flexible chimney system, co-axial air duct, and termination cap. If your chimney is higher than 32 ft. above the fireplace, an extension kit (Part #716-A) must be used to properly extend the flexible pipe chimney system up to a maximum of 40 ft..

Part #815-CL: For use with minimum 6" x 8" I.D. masonry or 8" I.D. Class 'A' metal chimneys - Includes 12 ft. compressed, expandable to 25 ft. co-linear 3" x 4" flexible chimney, and termination cap. If your existing chimney is higher than 25 ft. above the fireplace, an extension kit (Part #510) must be used to properly extend the 3" intake and 4" exhaust up to a maximum of 30 ft..

2. Shroud - 3 pc & 4 pc.: Three standard sizes are available for zero clearance fireplaces and three standard sizes are available for masonry fireplaces and will fit most applications. Custom shrouds may be ordered on a non-returnable basis. When ordering a custom shroud, please specify the existing fireplace Manufacturer name, model number and front opening height and width.

3. Blank Shrouds - 3 & 4 pc. blank shrouds are available for on-site custom fit applications and are sized to the opening after the insert has been installed. The interior perimeter is properly sized to fit onto the insert. The outer perimeter must be cut, formed and finished (painted).

4. Upper & Lower Grills - An upper & lower grill set is needed to complete the installation of the insert and are available in various styles.

A) PREPARE THE EXISTING FIREPLACE

- 1) Record the Manufacturer and Model number of your existing zero-clearance fireplace for future reference.
- 2) Remove the smoke baffle, the damper assembly and, if necessary - the firebrick on the sides and back of the existing fireplace to obtain at least the minimum opening requirements listed on page #2.
- 3) Remove any screens and glass doors on the fireplace.
- 4) Remove the existing chimney cap from the chimney.
- 5) Clean the chimney and inside of the fireplace to prevent creosote smell from entering the home.
- 6) Paint the existing inner box with high temp black paint so it is not visible when the insert is installed.
- 7) Place 'THIS UNIT HAS BEEN MODIFIED' label in the bottom of the firebox.

B) RUN THE GAS LINE

CAUTION: Installation of the gas line must only be done by a qualified person in accordance with local building codes.

This unit is equipped with a 3/8" flexible gas line connection 12" long.

CAUTION: The manual shut off valve and millivolt board flexible gas line must not extend outside the unit cavity. See the WARNING label affixed to the flexible gas line for additional installation instructions and warnings.

1. Run the gas line into the fireplace, preferably through the side or back, 2" from the bottom of the fireplace. See figure below.

A flexible connector should then be attached to the previously run gas line to the point where the manual shut off valve and millivolt board flexible gas line will connect.

IMPORTANT: An accessible shut off valve (included with the unit) must be installed up stream from the regulator.

IMPORTANT: DO NOT RUN THE GAS LINE IN A MANNER THAT WOULD OBSTRUCT THE OPERATION OF THE FAN OR POSITION OF THE SPEED CONTROL.

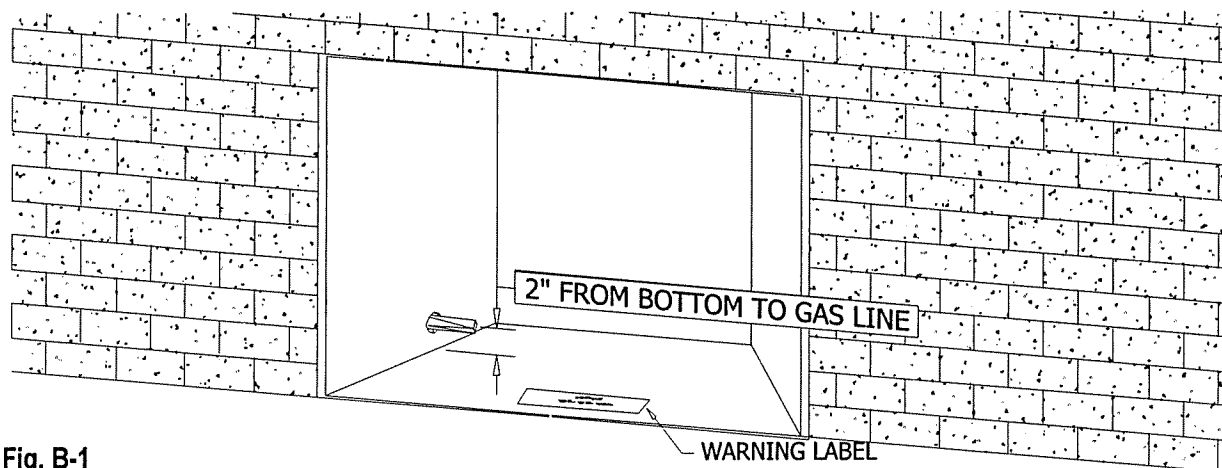


Fig. B-1

2. This unit is designed to accept either a 3/8" or 1/2" gas line approved for gas appliances. Consult local building codes to properly size the gas supply line leading to a 3/8" reduction. Also, see the chart below for proper supply line sizing.
3. Connect the manual shut off valve to the previous run gas line.
4. The gas line will be connected to the millivolt board later in this manual.

IMPORTANT:
ALL CONNECTIONS WHETHER FIELD OR FACTORY MADE MUST BE CHECKED FOR LEAKS.

NOTE: This appliance and its individual shut off valve must be disconnected from the gas supply piping system during any pressure testing of that system at test pressures in excess of 1/2 psi.

NOTE: This appliance must be isolated from the gas supply piping system by closing its individual manual shut off valve during any pressure testing of the gas supply piping systems at test pressures equal to or less than 1/2 psi.

Pressure check taps for both the manifold (outgoing) and inlet (incoming) pressures are located in front of the gas valve. The top pressure tap is the manifold pressure and the bottom pressure tap is the incoming pressure. Follow instructions on page #22 for checking these pressures.

NATURAL GAS:

The minimum inlet gas supply pressure: 5.0 in. W.C.
 Recommended inlet gas supply pressure: 7.0 in. W.C.
 The maximum inlet gas supply pressure: 10.5 in. W.C.
 Manifold Pressure: 3.5 in. W.C.
 Manifold Pressure (lo setting): 1.7 in. W.C.

Orifice size (0-2000 ft): 32 Input rating: 33,000 BTU

LP GAS:

The minimum inlet gas supply pressure: 11.0 in. W.C.
 Recommended inlet gas supply pressure: 11.0 in. W.C.
 The maximum inlet gas supply pressure: 13.0 in. W.C.
 Manifold Pressure: 10.0 in. W.C.
 Manifold Pressure (lo setting): 5.4 in. W.C.

Orifice size (0-2000 ft): 50 Input rating: 30,000 BTU

NATURAL GAS MODELS ONLY: THE BTU INPUT RATING MAY BE INCREASED TO 40,000 BTU BY REPLACING THE FACTORY EQUIPPED ORIFICE WITH THE #29 ORIFICE INCLUDED IN THE COMPONENTS PACKET.

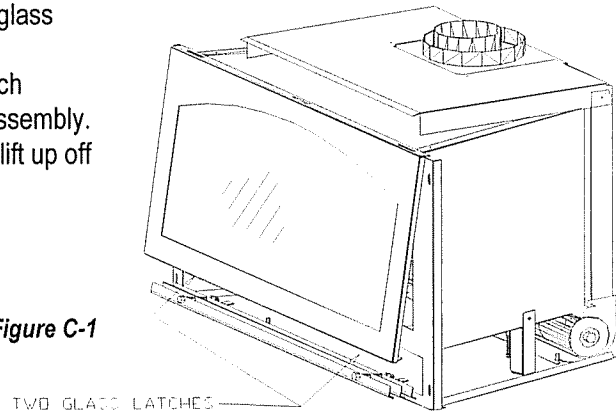
For high altitude installations, consult the local gas distributor or the authority having jurisdiction for proper rating methods.

C) REMOVE THE FOLLOWING ITEMS FROM THE FIREPLACE INSERT:

1. GLASS ASSEMBLY:

- A. Locate the spring-loaded latches securing the glass assembly (under the firebox).
- B. While holding onto the glass frame, pull the latch handles out, then down, to release the glass assembly.
- C. Pull the bottom of the glass assembly out and lift up off of the tabs (at the top).
- D. Set aside where it will not be broken.
- E. Remove the log package from the firebox and set aside.

Figure C-1



2. MILLIVOLT BOARD. Figures C-2 & C-3.

- A. Remove the burner cover by lifting the front of the cover up, then carefully sliding the burner tube off the orifice. Remove entire assembly from the firebox (Figure C-2)
- B. Remove the pilot shield from behind the pilot assembly, figure C-3).
- C. Loosen & remove the (2) 1/4" nuts securing the millivolt board and lift it up and off the studs and remove from the fireplace.

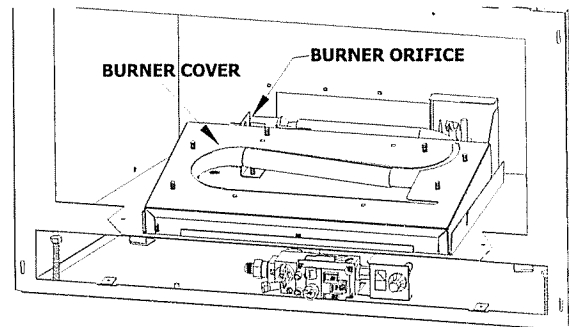


Figure C-2

IMPORTANT: BE CAREFUL NOT TO DAMAGE THE GASKET UNDER THE BOARD.

NOTE: The millivolt board is secured with (2) nuts at the factory. After the millivolt board is properly installed it must be secured with 8 nuts (included). The burner / cover assembly is then placed over the millivolt and secured with 2 nuts.

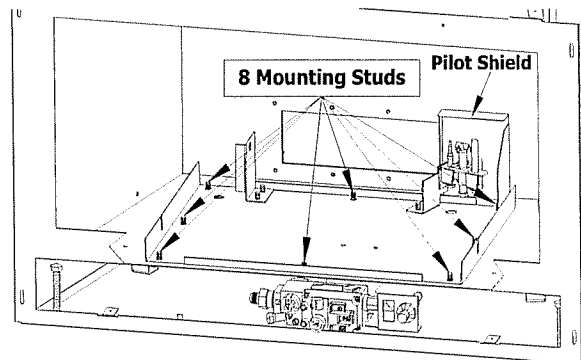
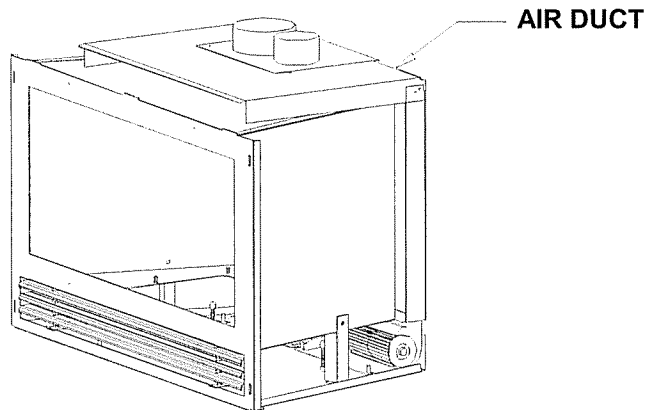


Figure C-3

3. REMOVE THE AIR DUCT. Figure C-4.

A.. Lift the air duct (manifold) up from the top of the firebox and set aside.

Figure C-4



D) INSTALLING THE INSERT

IMPORTANT: ALL STEPS IN SECTION 'A) PREPARE THE EXISTING FIREPLACE' MUST BE COMPLETED BEFORE CONTINUING WITH THIS INSTALLATION.

#815-CL CO-LINEAR VENT SYSTEMS

1. MASONRY SIDE PANEL INSTALLATION - *Optional*

An optional masonry panel kit is available for this insert and includes 1 left panel, 1 right panel and 12 sheet metal screws. These panels are used when the fireplace is installed in an existing masonry opening and must be installed to the air duct (manifold) before the vent system is connected.

A. SECURE THE PANELS TO THE AIR DUCT:

IF THE AIR DUCT WILL NOT BE REMOVED, MAKE SURE THE MASONRY SIDE PANELS AND AIR DUCT BACK ARE POSITIONED 'OUTSIDE' THE FLANGE AT THE BOTTOM OF THE INSERT. See Fig. D-1.

NOTE: If the panels are not placed 'outside' the flange at the bottom, it may cause a rattling noise when the fan is in operation.

1. Align the 2 holes in the top and 2 holes in the back of the right side panel to the holes on the air duct (2 holes on the top / 2 holes on the back).
2. Secure the panel to the air duct with the self-tapping screws (2 on top / 2 on back).
3. Repeat for remaining left side panel.

Note: The shell pieces will be secured to the front later in this manual.

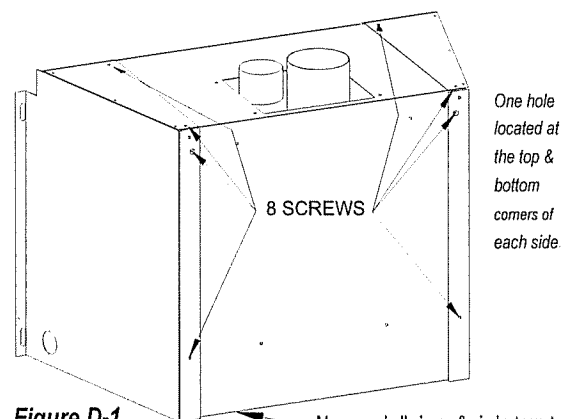


Figure D-1

Masonry shell pieces & air duct must be placed 'outside' the flange at the bottom of the fireplace.

2. INSTALL THE VENT SYSTEM

NOTE: The 4" exhaust pipe and 3" combustion air intake pipe will extend 25 ft.. An optional extension kit (Part #510) is available to extend the #815-CL kit up to a maximum of 30 ft.

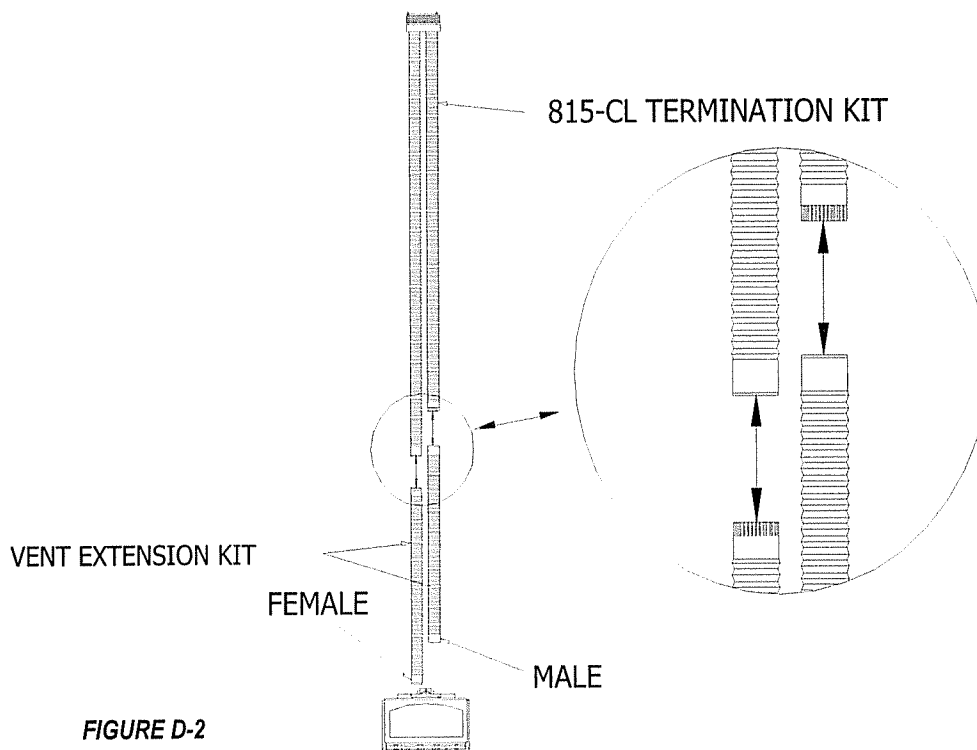
- A. Carefully extend the 3" combustion intake and 4" exhaust pipes and extension kit (if used) to equal the total chimney length required.
- B. 1. Slide the 3" intake pipe (end without the collar) onto the collar on the termination cap and secure with 3 self-tapping screws (provided).

2. Place a bead of sealant around the inner edge of the 4" exhaust pipe (end without the collar) onto the corresponding collar on the termination cap. Secure with 3 self-tapping screws (provided). Apply additional sealant around the joint to ensure a seal.

- C. If an extension kit is being used, it must be connected as follows:

Exhaust extension: Apply a liberal bead of sealant (provided) around the exhaust adaptor (male) extension pipe and slide into the female connector on the end of the 4" exhaust pipe already attached to the chimney termination plates. Secure with 3 self-tapping screws, (provided). To ensure an air-tight seal, additional sealant should be applied at the point of connection.

Combustion intake extension: Apply a liberal bead of sealant (provided) around the male end of the extension kit and slide into female end of the 3" combustion intake pipe attached to the chimney termination plates. Secure with 3 self-tapping screws (provided). To ensure an air-tight seal, additional sealant should be applied at the point of connection.



3. RUN THE VENT SYSTEM THROUGH THE EXISTING CHIMNEY

✳ **OPTIONAL:** We recommend wrapping the first 3 ft. of the vent system below the termination cap with non-faced fiberglass insulation (secure with wire) before running it through the existing chimney. This will prevent cold air from coming down the existing chimney.

NOTE: If there are offsets in the existing chimney, it may be easier to place a weighted rope around the end of the 4" pipe and another weighted rope around the 3" pipe to guide them through it.

DO NOT ATTEMPT TO TIE ONE ROPE AROUND BOTH PIPES.

A. Guide the rope, if used, and flexible pipes down the existing chimney.

B. To secure the chimney termination cap to the existing chimney, apply a liberal bead of sealant (provided) around the top of the existing chimney. Set the termination cap into position.

C. From inside the opening, grasp the ropes and CAREFULLY pull the ropes until the 3" combustion air intake and 4" exhaust pipe is down into the existing fireplace.

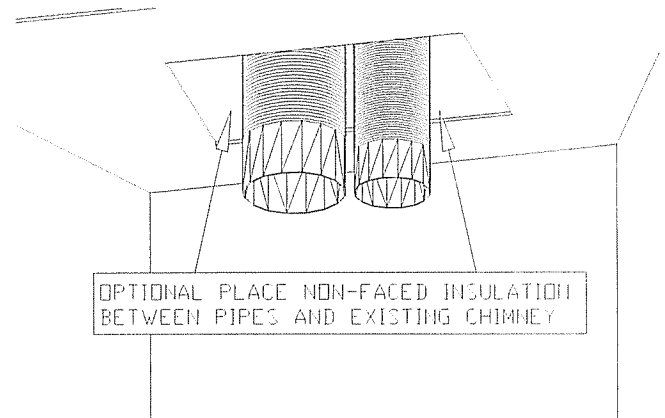


FIGURE D-3

✳ **OPTIONAL:** We recommend placing non-faced fiberglass batting insulation between the pipes and existing chimney to prevent heat loss up the chimney. (SEE FIGURE D-3)

4. CONNECT THE VENT SYSTEM TO THE AIR DUCT

A. Place the air duct into the existing fireplace opening.

B. Place a bead of sealant (provided) around the 4" exhaust pipe and slide it inside the 4" collar on the duct. Secure with screws and apply additional sealant around the joint to ensure an air tight seal.

C. Apply a liberal bead of sealant (provided) around the 3" collar on the air duct. Slide the 3" combustion intake pipe over the collar and secure with screws. To ensure an air-tight seal, apply additional sealant around the joint.

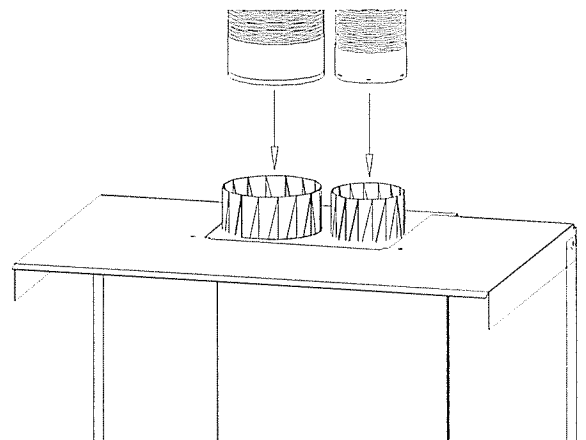


FIGURE D-4

#815 CO-AXIAL VENT SYSTEM

1. VENT SYSTEM

NOTE: The 4" exhaust flex pipe and 6" combustion air flex pipe are coiled and packaged separately.

- A. Carefully extend the 4" and 6" flex pipes and extension kit (if used) to equal the total chimney length required.
- B. If an extension kit is being used, it must be connected to the 4" exhaust and 6" combustion air intake pipe included in the #815-CA Vent Kit.

EXHAUST CONNECTION: Apply a liberal bead of sealant (provided) around the 4" exhaust adaptor, the one with the external notches, on the extension kit and slide it into the female connector on the end of the 4" exhaust pipe. Secure with 3 self-tapping screws, (provided). To ensure an air-tight seal, additional sealant should be applied at the point of connection.

COMBUSTION INTAKE CONNECTION: Slide the extended 6" combustion intake pipe included with the 815-CA kit over the extended 4" exhaust pipe included with the 815-CA kit. Apply a liberal bead of sealant (provided) around the 6" combustion intake adaptor, the one with the external notches, on the extension kit and slide it over the extended 4" exhaust pipe extension and into the female end of the 6" combustion intake pipe. Secure with 3 self-tapping screws (provided). To ensure an air-tight seal, additional sealant should be applied at the point of connection. NOTE: the 4" exhaust pipe is now inside the 6" intake pipe.

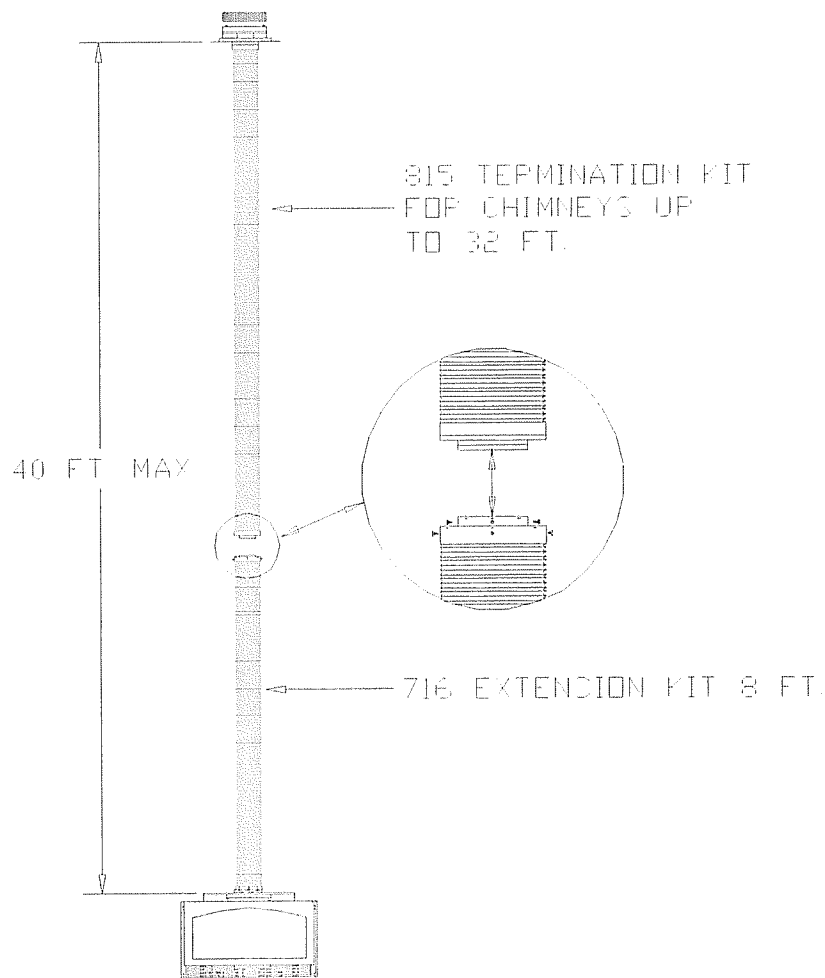


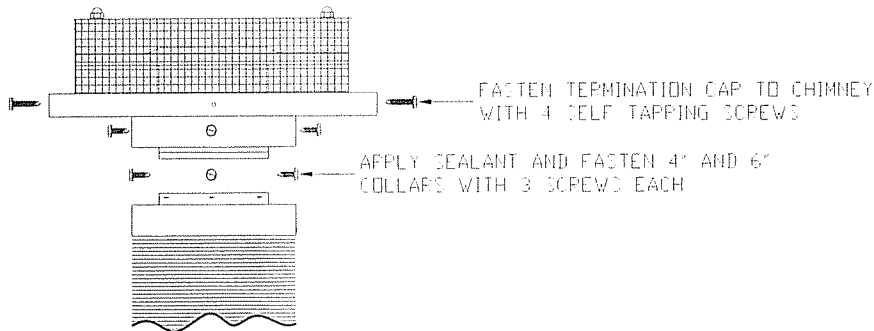
Figure D-5

2. CONNECT THE TERMINATION VENT CAP TO THE FLEXIBLE CHIMNEY PIPES

A. Apply a liberal bead of sealant (provided) around the inside edge of the 4" exhaust pipe, (end without a collar) and slide it onto the 4" collar on the vent cap. Secure by equally spacing 3 self-tapping screws through both sections. Apply additional sealant around the joint to ensure an air-tight seal.

B. Apply a liberal bead of sealant (provided) around the inside edge of the 6" combustion intake pipe, (end without a collar) and slide it onto the 6" collar on the vent cap. Secure by equally spacing 3 self-tapping screws through both sections. Apply additional sealant around the joint to ensure an air-tight seal. NOTE: The 4" exhaust pipe will be inside the 6" combustion intake pipe.

Figure D-6



3. RUN THE VENT SYSTEM THROUGH EXISTING CHIMNEY

✳**OPTIONAL:** We recommend wrapping the first 3 ft. of the vent system below the termination cap with non-faced fiberglass insulation (secure with wire) before running it through the existing chimney. This will prevent cold air from coming down the existing chimney.

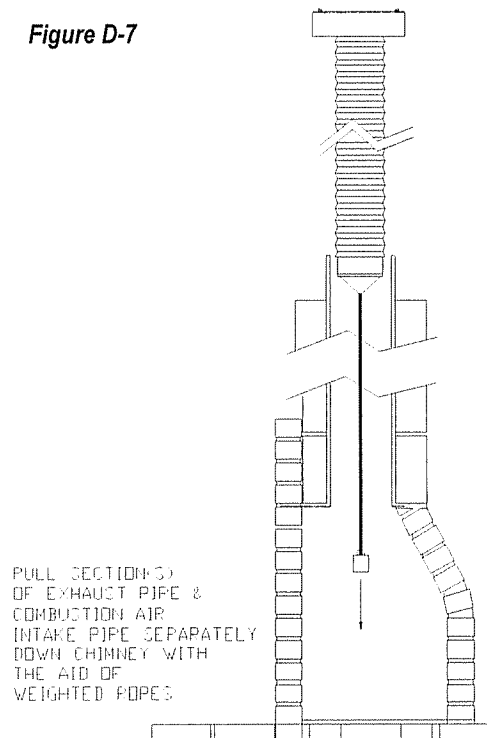
NOTE: If there are offsets in the existing chimney, it may be easier to place a weighted rope around the end of the 4" flexible pipe and another weighted rope around the 6" flexible pipe to guide them through it.

A. Guide the ropes, if used, and the flexible pipes down the existing chimney. **Figure D-7**

NOTE: Do not attempt to tie one rope around both pipes.

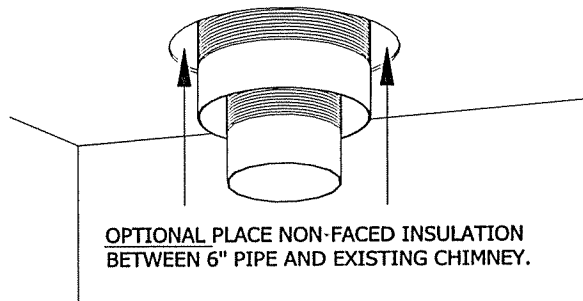
B. To secure the chimney termination cap to the existing chimney, apply a liberal bead of sealant around the top of the existing chimney. Set the termination cap into position and secure with the (4) 1 1/2" self-drilling screws (provided) **Figure D-6**.

Figure D-7



4. CONNECT THE #815-CA CO-AXIAL VENT SYSTEM TO THE AIR DUCT.

✳️OPTIONAL: We recommend placing non-faced fiberglass batting insulation between the 6" pipe and existing chimney to prevent heat loss up the chimney. (See Figure D-8)



OPTIONAL PLACE NON-FACED INSULATION BETWEEN 6" PIPE AND EXISTING CHIMNEY.

Figure D-8

A. Place the air duct into the existing fireplace opening.

B. Place a bead of sealant (provided) around the 4" flex pipe and slide it into the 4" collar on the duct. Pull the flex pipe back up until it 'locks' in place and secure with (2) self-tapping screws (provided).

C. Apply additional sealant around the joint to ensure an air-tight seal.

D. Apply a bead of sealant around the 6" collar on the flex pipe and slide it into the 6" collar on the air duct. Secure the (1) self-tapping screw (provided) through the center front of this connection.

E. Apply additional sealant around the joint to ensure an air-tight seal.

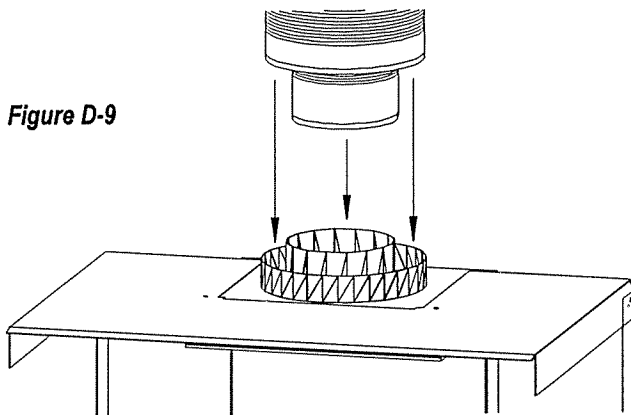


Figure D-9

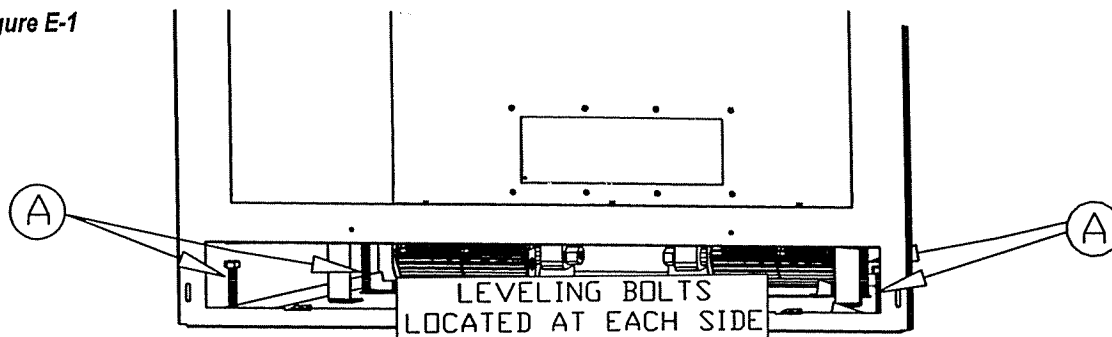
E) POSITION THE FIREPLACE INSERT:

1. Slide the insert in the fireplace opening. The masonry panels, if used, secured to the air duct must be 'outside' the flange at the bottom of the insert .

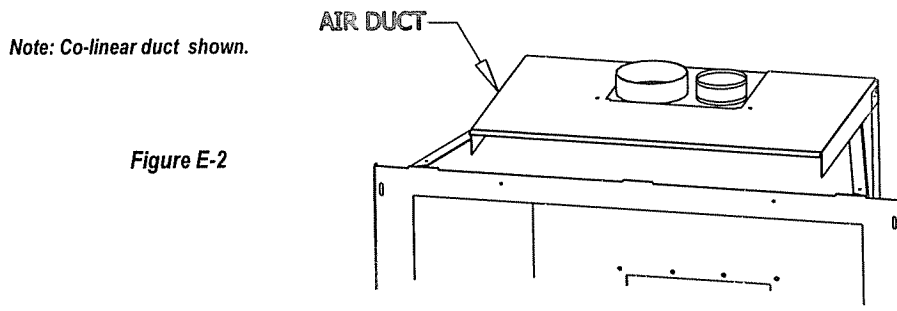
NOTE: If the masonry panels are not 'outside' the flange, it may cause a rattling noise when the fan is operating.

2. If necessary level the unit by screwing the(4) leveling bolts(A) into the nuts mounted in the bottom of the unit behind the lower grill. The leveling bolts are included in the components packet See figure E-1 below.

Figure E-1

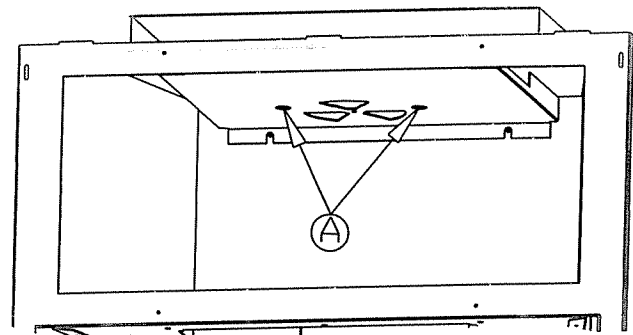


- Position the air duct to the fireplace by aligning the two holes in the fireplace top to the studs on each side of the 4" exhaust duct.



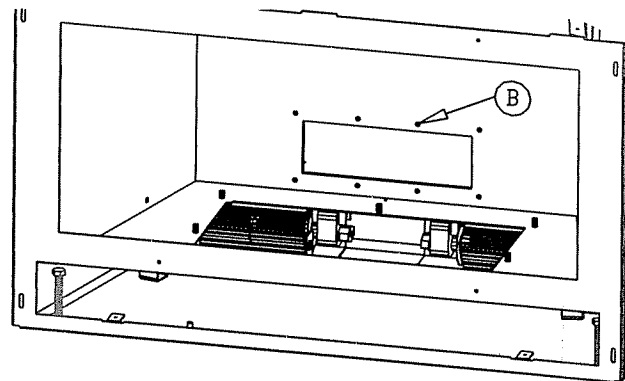
- Locate the baffle with the seasonal heat dump inside the firebox and note the (2) access holes (A) on each side of the heat dump. Refer to Figure E-3

Secure the air duct to the fireplace with (2) 1/4" nuts through the access holes (A). **IMPORTANT: MAKE SURE THE GASKET IS PROPERLY SEATED AROUND THE EXHAUST DUCT.**



- Align the (8) holes around the rectangular hole in the air duct to the (8) holes around the rectangular combustion intake inside the fireplace (B) and secure with the (8) self-tapping screws (provided). **IMPORTANT: Make sure the gasket is properly seated around the opening.** Refer to figure E-4

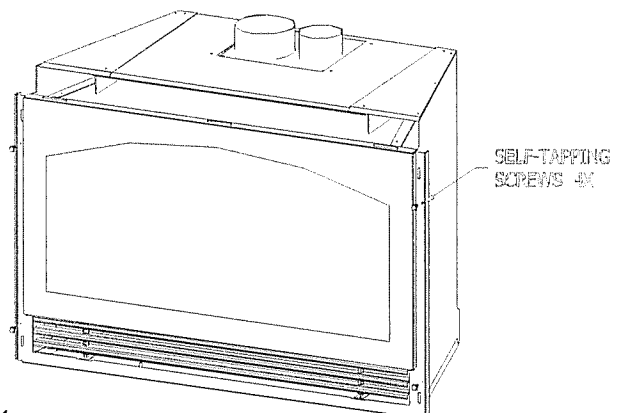
Figure E-4



F) SECURE THE MASONRY SIDE PANELS, IF INSTALLED.

- With the panels 'outside' the flange at the bottom of the insert, align the holes in the masonry side panels to the holes in the face of the insert and secure with 4 - self-tapping screws (2 ea. side.), see Figure F-1.

Note: If the panels are not placed 'outside' the flange at the bottom, it may cause a rattling noise when the fan is operating.



G) REINSTALL MILLIVOLT BOARD INSTALLATION. See Figure G-1 & G-2.

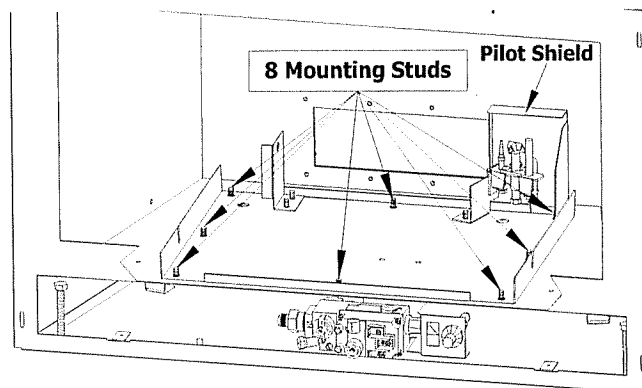
NOTE: The millivolt board must be fitted with a gasket, (included) to seal the board. Make certain this gasket is properly placed around the opening before installing the millivolt board.

1. Grasp the millivolt board with both hands and place into the unit, lining up the (8) mounting holes to in the board to the (8) mounting studs in the fireplace bottom.

CAUTION: BEFORE SECURING THE BOARD INTO PLACE, MAKE CERTAIN THAT ALL OF THE WIRES (ATTACHED UNDER THE BOARD) ARE CLEAR AND UNOBSTRUCTED.

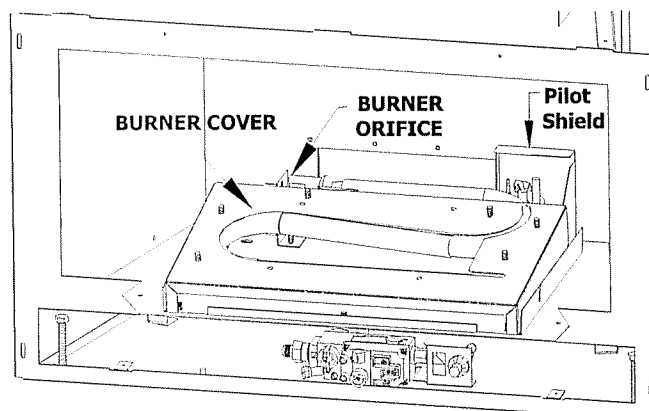
2. Attach the 1/4" nuts (included with the fireplace).

Figure G-1



3. Place the burner/cover assembly onto the board, properly seating the burner tube over the orifice. The burner cover should be 'inside' the flanges on the board. (Figure G-2)
4. Install the pilot shield over the pilot assembly. (Figure G-2)
5. Connect the flexible gas line to the manual shut off valve.
6. Connect any remote control, wall switch or thermostat wires, if used.

Figure G-2



IMPORTANT: CHECK ALL CONNECTIONS, WHETHER FIELD OR FACTORY MADE, FOR LEAKS.

H) ATTACH THE SHROUD - ZC SHROUD ONLY. For instructions on attaching the masonry shroud, follow instructions included with the shroud.

Shroud assembly includes:

(1) Shroud top	(8) Phillips head screws
(1) Shroud left side	(2) Shroud extensions
(1) Shroud right side with on/off rocker switch mounting hole	

IMPORTANT: You will need the following items from the components packet included with the unit:

(1) Rocker switch wires (1) On/Off Rocker switch
A small phillips head screwdriver to assemble the shroud and shroud extensions.

NOTE: You will need the upper grill from the grill set (ordered separately) to install in the shroud top piece.

ASSEMBLE THE SHROUD - Figures H-1 & H-2

- Loosen and remove the nuts on the upper grill. Place the upper grill rods through the holes in the shroud top piece and secure with the nuts. If necessary, recess upper grill by re-positioning in one of the three mounting holes.
- Secure the right and left shroud pieces to the top piece by aligning the (2) holes in the side pieces to the holes in the top piece. Secure with the phillips head screws (2 ea. side).
- OPTIONAL:** Attach shroud extensions by aligning the slots in the shroud with desired hole in shroud extension. Secure with phillips-head screws.

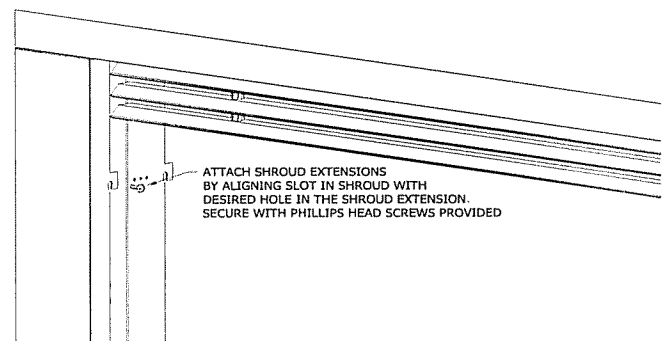
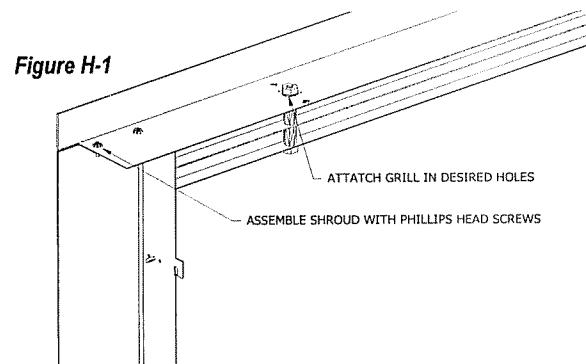


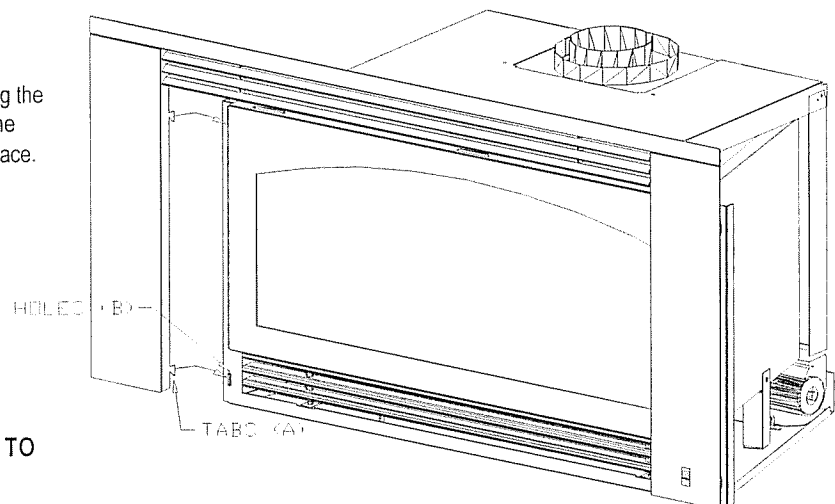
Figure H-2

- Snap the rocker switch in place on the shroud.
- Slide one connector on one end of each rocker switch wire to the rocker switch.

ATTACH THE SHROUD

- Attach the shroud to the insert by placing the tabs on the left and right shroud pieces into the holes in the insert. The shroud will set into place.

Figure H-3



CONNECT THE ROCKER SWITCH WIRES TO THE VALVE. Refer to figure O-1 page 25.

- Slide the remaining connectors on the rocker switch wires to the top and bottom terminals on the valve.

IMPORTANT: CHECK ALL CONNECTIONS, WHETHER FIELD OR FACTORY MADE, FOR LEAKS.

I) COMPLETE THE FAN INSTALLATION:

This unit comes complete with a fan, speed control and temperature limit switch assembly already installed. A three-prong (grounding) plug is attached to the end of the 8 ft. fan electrical cord for protection against shock hazard. Do not remove the grounding prong from the plug. Do not allow any excess fan cord to touch the firebox.

NOTE: Speed control box is installed on the left side the fireplace behind the lower grill. A mounting stud has been provided on the right side of the fireplace (behind the lower grill) to re-position this speed control box to the right side if desired.

1. Attach the limit switch on the left side of the millivolt board under the firebox.
2. Plug fan cord into the nearest, properly grounded receptacle.

Note: The fan will not operate unless the speed control has been turned on. The fan will not turn on until sufficient heat is applied to the thermostatic control switch. The fan will then turn on and off automatically when the fireplace heat and cools. Adjust fan to desired speed while it is running.

NOTE: THIS FAN SYSTEM, WHEN INSTALLED, MUST BE ELECTRICALLY GROUNDED IN ACCORDANCE WITH LOCAL BUILDING CODES, OR IN THE ABSENCE OF LOCAL BUILDING CODES, WITH THE NATIONAL ELECTRICAL CODE, ANSI/NFPA 70.

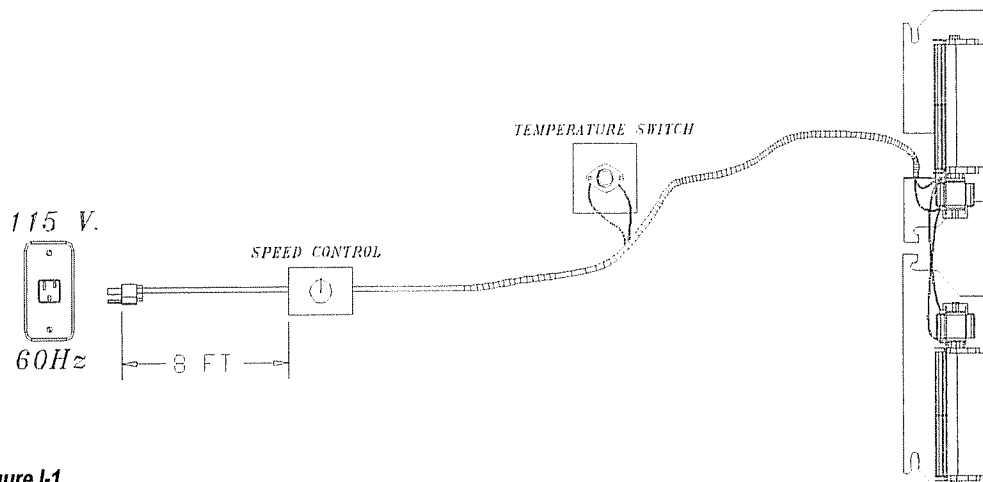


Figure I-1

J) LOG INSTALLATION. See Figures J-1 - J-3.

This log set includes:

- | | | |
|--------------|-----------------|--------------|
| (1) 'AD' log | (1) 'BI' log | (1) 'AJ' log |
| (1) 'AG' log | (2) 'M' logs | (1) 'C' log |
| (1) 'HB' log | (1) Embers Pkg. | |

NOTE: THE 'BI' LOG IS NOTCHED AND SHOULD BE POSITIONED ONTO THE BURNER COVER PLACING THE NOTCHED OUT SECTIONS IN THE LOG TO THE BRACKETS IN THE CENTER OF THE BURNER COVER.

1. Place the 'BI' log onto the center of the burner cover aligning the notches in the bottom of the log to the brackets in the burner cover. Figure J1.
2. Place the 'AD', 'AG', 'HB' & 'AJ' logs into position on the burner cover as shown in figure J2. To secure in place once positioned, press the logs down slightly onto the pins in the burner cover.

IMPORTANT: DO NOT ALLOW ANY PORTION OF THE LOGS TO COVER THE BURNER PORTS.

3. Carefully place the burning embers, included with the log set, between the 'BI' log and 'AJ' log from point 'A' to point 'B' leaving at least 1/4" space between each ember.

NOTE: You will not use all the embers included in the packet at this time. Save for future use.

4. Align the hole in the bottom of the right 'M' log to the alignment knob protruding from the 'HB' log. Refer to figure J3.
5. Place remaining 'M' log and 'C' log into position as shown in figure J-3.

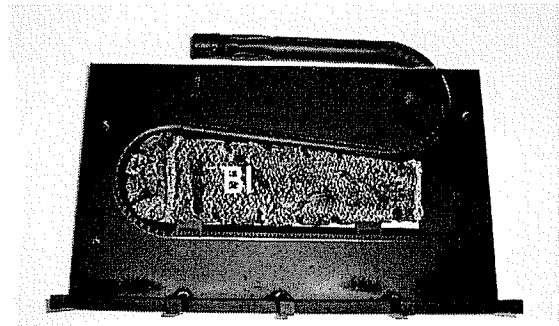


FIGURE J-1

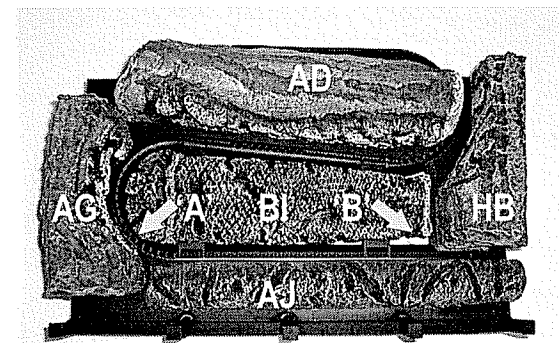


FIGURE J-2

INITIAL BURN PERIOD

DUE TO THE MAKEUP OF THE REFRACTORY, THE CURING PROCESS MAY TAKE UP TO 4 HOURS OF BURN TIME. DURING THIS PERIOD, THEY WILL SLIGHTLY DISCOLOR. ONCE THE CURING PROCESS IS COMPLETE, THE TRUE COLOR WILL RETURN. DO NOT BURN THIS FIREPLACE WITHOUT THE GLASS PROPERLY IN PLACE.

****MAKE SURE THE HOMEOWNER IS AWARE OF THIS****

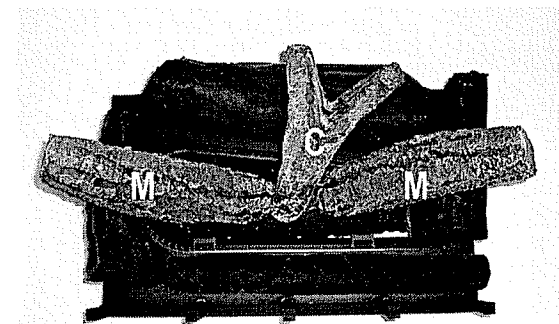


FIGURE J-3

K) COMPLETE THE INSTALLATION

1. THIS STEP SHOULD ONLY BE DONE BY A QUALIFIED INSTALLER OR SERVICE TECHNICIAN:

- A) Perform lighting and shutdown procedures as described on pages #20-21. This should be done prior to replacing the glass so that any necessary adjustments can be made and proper operation and log position verified.

2. SEASONAL HEAT DUMP ADJUSTMENT:

This fireplace insert has been manufactured with a heat vent damper located at the top inside the firebox. This allows infinite control over the amount of heat emitted into the living area without affecting the flame height.

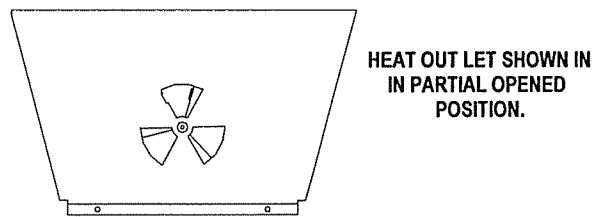
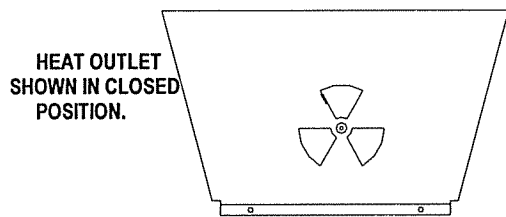
INSTALLER: Please install the fireplace insert with the heat vent damper in the closed position.

HOMEOWNER: The fireplace has been installed with the heat dump in the closed position and will operate at its peak efficiency. The heat dump may be opened as much as necessary to maintain desired heat level.

TO ADJUST:

CAUTION: DO NOT ATTEMPT TO ADJUST THE HEAT DUMP OPENING IF THE FIREPLACE HAS BEEN IN OPERATION. ALLOW AMPLE TIME TO COOL OR USE THE APPROPRIATE PROTECTION TO AVOID SERIOUS BURNS AND/OR PROPERTY DAMAGE.

- A. Remove the glass assembly & open or close the damper as desired.



3. Replace the glass / black frame assembly. Refer also to Figure K-1.

WARNING: DO NOT OPERATE THIS FIREPLACE WITH THE GLASS ASSEMBLY REMOVED, CRACKED, OR BROKEN. Replacement of the glass assembly should be done by a licensed or qualified service person.

- A. Align the 3 slots in the top of the glass assembly over the 3 tabs on the fireplace (at the top).
- B. Place the glass assembly so it is flush with the front of the fireplace front.
- C. While holding the glass assembly, pull the latches out and secure over the glass latch clips on the bottom of the glass frame locking it in place.

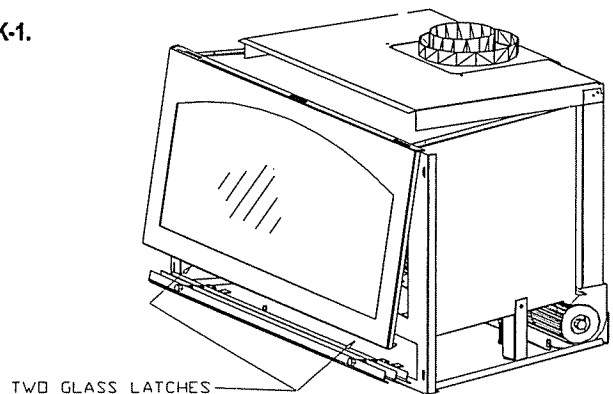


Fig. K-1

4. Install the lower grill. Refer to Figure K-2.

- A. Place the bolts through the hinges in the lower grill opening.
- B. Attach the 1/4" nuts.
- C. Tighten both 1/4" nuts.

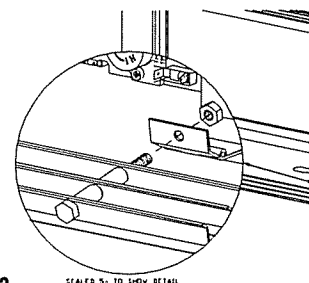


Fig. K-2

L) THERMOSTAT - WALL SWITCH - REMOTE INSTALLATION (optional).

CAUTION: DO NOT connect high voltage (115 V) wire to the switch.

If desired, a thermostat, wall switch *or* remote control unit may be used to turn the unit off and on. Only one of these may be installed. Follow instructions included with each kit.

IMPORTANT: An insulated cover is included with the remote control and must be placed over the receiver to protect it from overheating.

OPTIONAL: Disconnect the on/off rocker switch wires from the top & bottom terminals on the gas valve.

NOTE: INSTALLATION OF A THERMOSTAT OR WALL SWITCH SHOULD ONLY BE DONE BY A QUALIFIED INSTALLER

WALL SWITCH / THERMOSTAT USERS:

Run low-voltage (thermostat) wire from the gas valve terminals behind the lower grill to the desired location of the thermostat or wall switch.

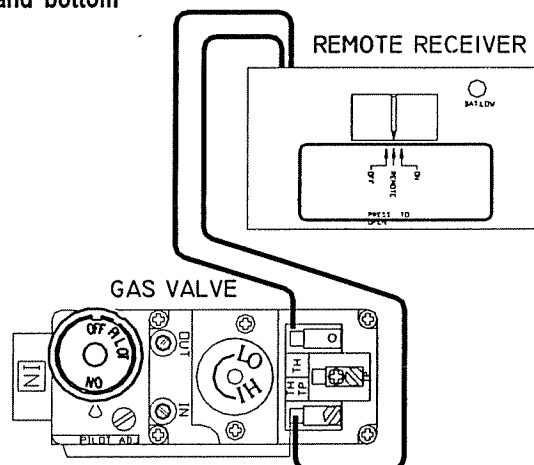
Do not run wire more than 30'. **NOTE:** If too heavy of wire is used or run more than 30', the electricity generated by the unit's generator will not be sufficient to make the regulator work properly.

IMPORTANT: No high voltage (115v) is required to operate any of these systems.

Attach the appropriate connector to each wall switch / thermostat wire and connect to the top and bottom terminals on the gas valve.

Remote Control Wiring Diagram

Figure L-2



Thermostat Wiring Diagram

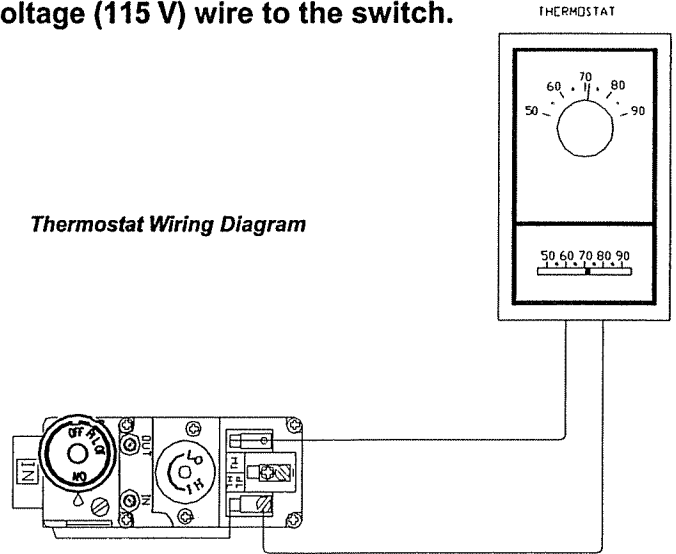


Figure L-1

IMPORTANT: The on/off rocker switch on the shroud must be in the 'off' position for proper operation of these components.

If the rocker switch is 'on', the fireplace burner will operate until it is turned 'off' by the rocker switch. A wall switch, thermostat, or remote control will not turn the fireplace 'off' when it has been turned 'on' by the rocker switch.

Note: The fireplace must be turned 'on' and 'off' by the same method. For example: If the fireplace is turned 'on' by the remote, it must be turned 'off' by the remote.

M) LIGHTING & SHUTDOWN

NOTE: Prior to lighting, check all fittings for leakage. This is accomplished by lightly spraying soapy water on all connections made. If there is any leakage, bubbles will appear at the point of connection. If bubbles occur, tighten the fittings until the bubbles no longer appear.

IMPORTANT: TEST ALL CONNECTIONS WHETHER FIELD OR FACTORY MADE.

NOTE: The appliance and its individual shut off valve must be disconnected from the gas supply piping system during any pressure testing of that system at test pressures in excess of ½ psi.

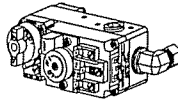
NOTE: The appliance must be isolated from the gas supply piping system by closing its individual manual shut off valve during any pressure testing of the gas line at test pressures equal to or less than 1/2 psig (3.5 kPa).

Pressure check taps for the manifold (outgoing) and inlet (incoming) pressures are located in front of the gas valve. The top pressure tap is the manifold pressure and the bottom pressure tap is the incoming pressure. Follow instructions on page 22 for checking these pressures.

NOTE: Read 1-8 before lighting the unit for the first time. Refer also to Figure M-1, page #21.

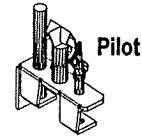
1. Open the lower grill by grasping the center of the top louver, and pull out and down.
2. Set the thermostat, if used, to the lowest setting
3. Turn off all electric power to the appliance.
4. Push in black control knob (A), slightly and turn clockwise ↻ to "OFF"

Gas control knob shown in "on" position



NOTE: Knob cannot be turned from "PILOT" to "Off" unless knob is pushed in slightly. Do not force.

5. Wait five (5) minutes to clear out any gas. If you then smell gas, STOP! Follow the safety information on page 1 of this installation manual. If you don't smell gas, go to the next step.



6. Find the pilot - follow metal tube from gas control. The pilot is behind the burner tube.
7. Turn the black knob on gas control counterclockwise ↶ to "PILOT".
8. Push in the black control knob all the way and hold in. Press the RED igniter button (B). The pilot will generally light with two or three pushes on the igniter. Hold the knob in for about one (1) minute after the pilot is lit. Release knob and it will pop back out. Pilot should remain lit. If it goes out, repeat steps 4 through 8.

- * If knob does not pop out when released, stop and immediately call your service technician or gas supplier.
- * If the pilot will not stay lit after several tries, turn the gas control knob to "OFF" and call your service technician or gas supplier.

9. Turn gas control knob counterclockwise ↶ to "ON".
10. Flip the on/off switch (C) to the "on" position.
11. Set thermostat, if used, to desired setting.

NOTE: When the unit is initially lit, condensation will appear on the glass, this is normal in all gas fireplaces, and will disappear in one to three minutes.

12. If you wish to turn the burner off, flip the on/off switch (C). If a wall switch has been installed, simply turn it off. If a thermostat has been installed, simply adjust temperature setting. **NOTE:** The pilot will stay lit.
13. To turn off the pilot, push in control knob (A) and turn to clockwise ↻ to "OFF".

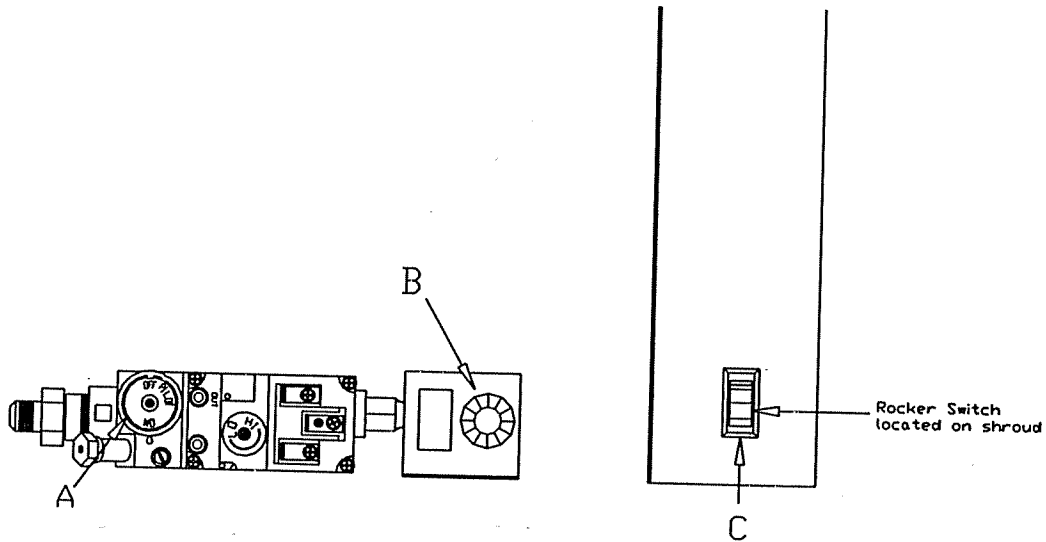


FIGURE M-1

INITIAL BURN PERIOD

DURING THE INITIAL BURN PERIOD, THE REFRACTORY WILL DISCOLOR AND A PAINT SMELL WILL OCCUR. THIS IS NORMAL AND PART OF THE CURING PROCESS. THE TRUE COLOR OF THE REFRACTORY WILL RETURN ONCE THE CURING PROCESS IS COMPLETE AND THE PAINT SMELL WILL NOT REOCCUR. IT IS RECOMMENDED TO LEAVE THE FAN OFF DURING THIS PERIOD AS THIS WILL SPEED UP THE PAINT CURING PROCESS. DO NOT BURN THIS FIREPLACE WITHOUT THE GLASS PROPERLY IN PLACE.

****MAKE SURE THE HOMEOWNER IS AWARE OF THIS****

THIS FIREPLACE INSERT MAY PRODUCE NOISES OF VARYING DEGREE AS IT HEATS AND COOLS TO DUE METAL EXPANSION AND CONTRACTION. THIS IS NORMAL AND DOES NOT AFFECT THE PERFORMANCE OR LONGEVITY OF THE FIREPLACE.

NOTE: Children and adults should be alerted to the hazards of high surface temperature and should stay away to avoid burns or clothing ignition. Young children should be carefully supervised when they are in the same room as the appliance.

Clothing or other flammable material should not be placed on or near the appliance.

PRESSURE TESTING MANIFOLD & INLET PRESSURE

IMPORTANT NOTICE: A pressure check tap for both the manifold (outgoing) and inlet (incoming) pressure has been incorporated into the valve by Robertshaw. The top pressure tap is the manifold pressure and the bottom pressure tap measures the incoming pressure. Follow the instructions below for proper pressure testing procedures.

TO CHECK THE MANIFOLD PRESSURE:

1. Light pilot .
2. Loosen the manifold pressure tap [C] by turning the screw counter-clockwise.
3. Attach manometer to pressure tap using a 5/16" I.D. hose [E].
4. Turn black control knob [A] to the 'on' position.
5. Turn the burner on by depressing the rocker switch and note manometer reading.
6. Turn the rocker switch [B] to the 'off' position.
7. Disconnect manometer hose and tighten screw (clockwise).
Screw should be snug, do not over tighten.
8. Attach manometer to manifold pressure tap to verify that it is completely sealed.
Manometer should read no pressure when the rocker switch is turned on.

NOTE: If manifold pressure reading is within the normal range, an incoming pressure check is not necessary. A too high or too low pressure reading warrants an inlet (incoming) gas pressure check.

TO CHECK THE INLET PRESSURE:

1. Loosen Inlet pressure tap screw [D] by turning screw counter-clockwise.
2. Attach manometer using a 5/16" I.D. hose [E].
3. Light the pilot.
4. Turn the black control knob [A] to the 'on' position. (Burner should not come on) and note manometer reading.
5. Turn the rocker switch [B] to the 'on' position and check the pressure to ensure that it stays near the maximum inlet pressure.
6. Turn the rocker switch [B] to the 'off' position.
7. Turn the pilot to the 'off' position.
8. Disconnect hose and tighten screw (clockwise).
Screw should be snug, do not over tighten.
9. Relight pilot and turn the control knob [A] to the 'on' position. Attach manometer to the inlet pressure tap to verify that it is completely sealed. Manometer should read no pressure.

NOTE: If Inlet pressure reading is too high or too low, contact the gas company. Only a qualified gas service technician should adjust the incoming gas pressure.

CAUTION: A LOW PRESSURE READING CAN CAUSE DELAYED IGNITION.

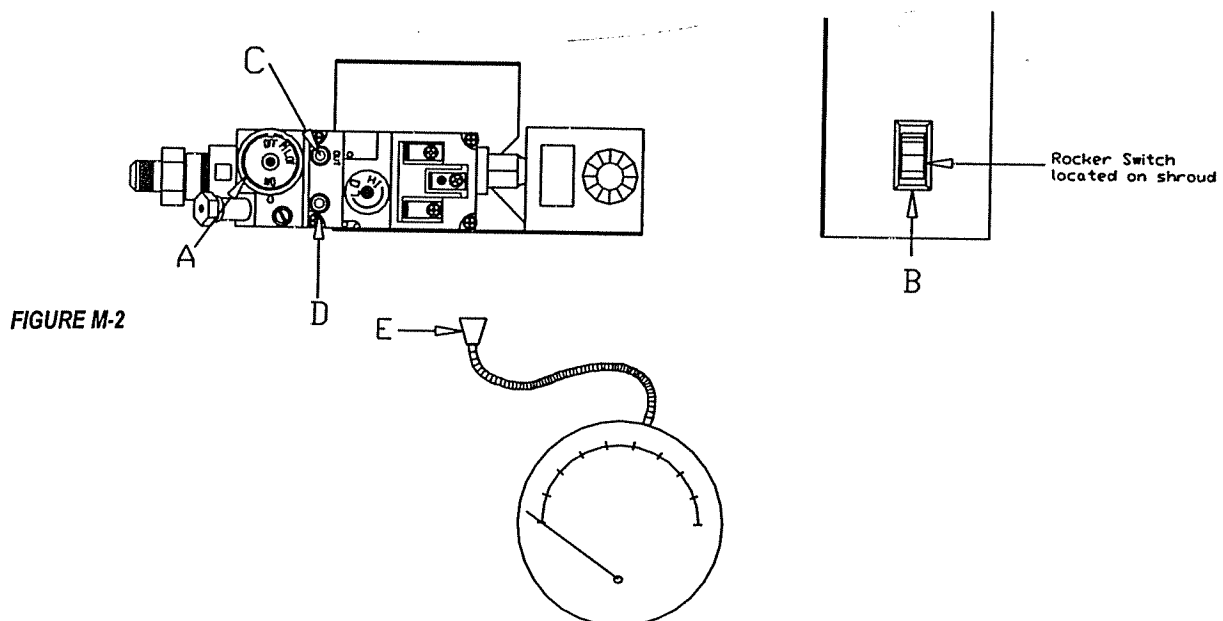


FIGURE M-2

N) MAINTENANCE REQUIREMENTS

1. The appliance should be inspected at least once a year by a professional service person.

NOTE: INSTALLATION AND REPAIR SHOULD BE DONE ONLY BY A QUALIFIED SERVICE PERSON. THE APPLIANCE SHOULD BE INSPECTED BEFORE USE AND AT LEAST ANNUALLY BY A QUALIFIED SERVICE PERSON. MORE FREQUENT CLEANING MAY BE REQUIRED DUE TO EXCESSIVE LINT FROM CARPETING, BEDDING MATERIAL, ETC. IT IS IMPERATIVE THAT CONTROL COMPARTMENTS, BURNERS AND CIRCULATION AIR PASSAGEWAYS OF THE APPLIANCE BE KEPT CLEAN.

2. The compartment below the firebox (behind the lower grill) must be cleaned at least once a year, more frequent cleaning may be required due to excessive lint from carpeting, bedding materials or other fibrous materials. It is imperative that the burner be cleaned once a year.

FAN

The fan should be disconnected from electrical current, and cleaned (vacuumed) every six months. The bearings are sealed and require no oiling.

VENT SYSTEM

Annual examination of the venting system by a qualified agency is required.

1. Remove the glass on the front of the unit.
2. For easier access, remove the logs.
3. Cover the millivolt board system.
4. Loosen the nuts securing the baffle at the back of the firebox and remove the baffle.
5. Examine proper sealing of vent system.
6. Replace baffle and secure the nuts. Tighten nuts only enough to secure baffle. Baffle must be allowed to 'float' as the fireplace heats and cools.
7. Replace the logs and glass.

ANY SAFETY SCREEN OR GUARD REMOVED FOR SERVICING MUST BE REPLACED PRIOR TO OPERATING THE APPLIANCE.

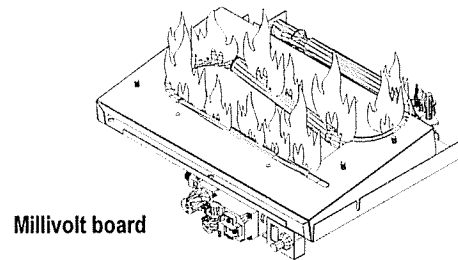
CAUTION: LABEL ALL WIRES PRIOR TO DISCONNECTION WHEN SERVICING CONTROLS. WIRING ERRORS CAN CAUSE IMPROPER AND DANGEROUS OPERATION. VERIFY PROPER OPERATION AFTER SERVICING.

MILLIVOLT BOARD SYSTEM

1. Annual cleaning of the burner is required. The burner tube may be removed for easier access by removing the two nuts securing it on each side of the burner cover. See Figure below.

Visually check for blocked port holes, especially near the pilot. Blocked port holes may cause delayed ignition.

Figure N-1



2. Visually check the pilot light and burner when they are burning. See Figures above and below. The flames should be steady, not lifting or floating.

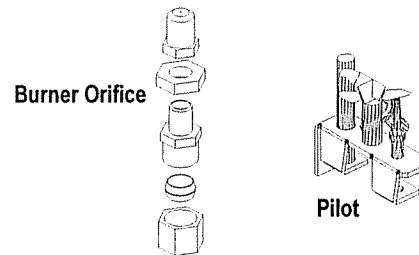


Figure N-2

GLASS CLEANING & REPLACEMENT

- Clean glass only when cool and only with non-abrasive cleansers.
- Do not operate this fireplace with the glass / frame assembly removed, cracked or broken.
- The glass / frame assembly Part #911002 shall only be replaced as a complete unit, as supplied by Hussong Mfg. Co., Inc..
- Replacement of the glass / frame assembly, Part #70008L, must only be performed by a licensed or qualified service person. DO NOT SUBSTITUTE MATERIALS.
- Do not strike or slam glass door assembly.

CAUTION: KEEP THE APPLIANCE AREA CLEAR OF COMBUSTIBLE MATERIALS, SUCH AS GASOLINE AND OTHER FLAMMABLE VAPORS AND LIQUIDS.

O) TROUBLE SHOOTING GUIDE

NOTE: The millivolt board includes the following items: Regulator, generator, pilot, piezo, electrode, rocker switch, burner, orifice and orifice holder. If any of these items are defective, contact your dealer for the appropriate repair / replacement procedures to follow.

WARNING: DO NOT ATTEMPT TO SERVICE THIS UNIT IF YOU ARE NOT A QUALIFIED INSTALLER OR REPAIRMAN.

1. If the unit fails to ignite a qualified service person should check the unit installation.
2. It is imperative that the control compartment, burner and circulation air passageways of the unit be kept clean. This is necessary to provide adequate combustion and ventilation air.
3. All of the working parts of this unit can be removed at one time. Before removing regulator board, check for loose wires.

<u>PROBLEM</u>	<u>CAUSE</u>	<u>SOLUTION</u>
No spark when piezo button is depressed	The nut which holds the piezo in place is loose	Tighten nut.
	Wire on back of piezo button is loose or off	Put wire back into place.
	Wire from piezo to electrode is loose at electrode	Replace electrode assembly.
	Electrode moved out of position	Realign electrode with 1/8" space between it and pilot.
Pilot won't light	Gas shut off	Turn Gas On
	Gas line not bled out	Hold valve knob in long enough to bleed out line.
	Not holding regulator valve in long enough	Hold in longer
Pilot won't stay lit	Not holding pilot button in long enough	Hold button in longer to heat generator
	Thermocouple wire loose at valve connection.	Check connection on valve.
	Pilot hood misdirecting pilot flame from thermocouple.	Check pilot flame location.. Flame must be burning on generator and thermocouple.
	Pilot shield not installed or not in correct position.	Install pilot shield or re-position.

PROBLEM

CAUSE

SOLUTION

Burner won't light

Pilot not lit

Relight pilot

Regulator valve not turned on

Turn valve to "on"

Rocker switch not turned on.

Press bottom of switch exposing the "Red" or "on" indicator.

Rocker switch wire not connected

Check wiring diagram Figure O-1 and ensure that all wires are secure.

Generator wires loose at regulator terminals

Reposition wire and tighten screws. See figure O-1 for wiring instructions.

Generator wire grounded out due to pinching of wires

Nuts on millivolt board may need loosening to remove pinched wire.

Wall switch, remote control or thermostat not connected properly or turned to wrong setting. See figure L-1 & L-2.

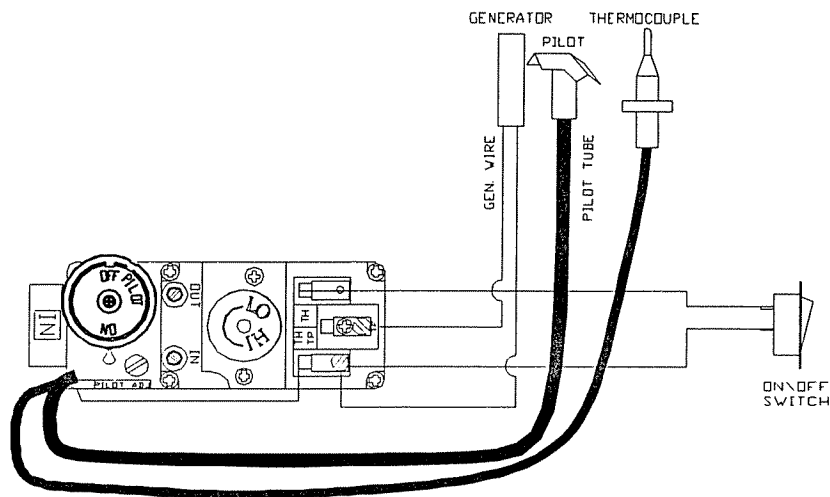
Connect properly or disconnect and use on/off switch only.

Burner won't stay lit

Wall switch wire too thick or run more than 30 ft.

Disconnect wall switch wire. If burner stays lit, change location of wall switch or use on/off switch only.

Figure O-1



REPLACEMENT PARTS

Replacement parts are available through your local dealer. Information on optional components and accessories is also available through your dealer.

MILLIVOLT BOARD AND PARTS

911-400A	Millivolt Board - Natural Gas	700212	12" Flexible Gas line (gas line connection)
911-401A	Millivolt Board - LP Gas	700224	3/8 Flexible Gas line (valve to burner orifice)
700203	Manual Shut off Valve	700229	Natural Gas Orifice - #29
700032	Piezo Ignitor	700232	Natural Gas Orifice - #32
700036	Millivolt Generator	700250	LP Gas Orifice - #50
700039	Hi/Lo Adjustable regulator (Natural Gas)	700267	Pilot Orifice - Natural Gas
700040	Hi/Lo Adjustable regulator (LP Gas)	700266	Pilot Orifice - LP Gas
700043	On/Off Rocker Switch	91135A	Burner Cover
700055	Pilot / Generator / Thermocouple assembly	932135	Burner Tube
700056	Pilot / Generator / Thermocouple assembly	932135BI	Burner tube / cover assembly with 'BI' log
700059	Thermocouple (30-second pilot safety)	OCK-332	Natural Gas Conversion Kit
700060	Pilot Tube with fitting (valve to pilot)	OCK-350	LP Gas Conversion Kit

FAN - REPLACEMENT ONLY

911028	Fan Kit with temperature limit switch & speed control
600085	Speed Control
404-4	Limit Switch

GLASS / GLASS GASKET / ARCHED VALANCE

911002	Replacement glass assembly - includes 12" x 27" glass, gasket and arched frame
70008T	12" x 27" Plain glass with tadpole gasketing
900005	Arched Valance - Replacement
900006	1 1/8" Glass gasket

GASKETS

700077	Millivolt Board Gasket
761076	Combustion Intake Duct Gasket
811075	Exhaust Duct Gasket

LOG SET

932500A	8 PC. Log Set
'AD' Log	
'AG' Log	
'HB' Log	
'BI' Log	
'M' Log	
'C' Log	
'AJ' Log	

REFRACTORY

911900	Back / Side Refractory Panels
911900B	Back Refractory Panel
911900S	Side Refractory Panel (1 pc.)

PAINT

300624	12 oz. aerosol touch-up paint - Satin Black
--------	---

Model #911 DV - US INSTALLATIONS ONLY
Revised April 2004

www.kozyheat.com

MANUFACTURED BY:

Hussong Manufacturing Company, Inc.
204 Industrial Park Drive
Lakefield, MN 56150

**KOZY HEAT GAS BURNING FIREPLACE
LIMITED 10 YEAR WARRANTY**

Effective July 01, 2003

This Limited 10 Year Warranty will not become effective until the warranty registration form has been completed and mailed to Hussong Manufacturing Co., Inc., P.O. Box 577, Lakefield, MN 56150. This registration form must be received within 30 days of installation. Failure to do so may result in delayed warranty coverage and submission of proof of purchase will be required.

Hussong Manufacturing Co., Inc. warrants to the original purchaser of this Kozy Heat Fireplace, that it is free of defects in materials and workmanship at the time of manufacture.

Subject to the following conditions & requirements, Hussong Manufacturing Co., Inc. extends the following limited warranty under normal use and service, with respect to the Kozy Heat line of gas burning fireplaces.

YEAR 1: Subject to the conditions & requirements listed below, within the first year from date of purchase, Hussong Manufacturing Co., Inc. shall, at its discretion, replace or repair any such defect in material or workmanship, at Hussong Manufacturing Co., Inc.'s expense, including reasonable labor costs to repair or replace the defective component, if a factory pre-authorization is given for the repair.

YEARS 2 - 10: Subject to the conditions & requirements listed below, beginning with the first day of the second year and continuing through the tenth year, Hussong Manufacturing Co., Inc., will at its discretion, provide repair or replacement parts at current list prices for any defect in material or workmanship of components, including optional components and accessories (if available). Hussong Manufacturing Co., Inc. shall not be responsible for any installation, labor, transportation or other indirect costs.

LIMITATION OF LIABILITY

To make a claim under this warranty, the purchaser must first contact the dealer/installer from whom the fireplace was purchased.

This limited warranty will be void if the fireplace is not installed by a qualified installer and according to the installation instructions. Use of unauthorized components will make this warranty null and void.

This limited warranty also is void if the fireplace is not operated, at all times, according to the operating instructions furnished.

This warranty is limited to defects in material and workmanship. It does not apply to any product that has been subject to negligence, misapplication, improper installation. Remote control warranties are covered by Ambient Technologies, Inc., and are excluded from this Limited Warranty.

No person is authorized to extend the time of this warranty or to accept on Hussong Manufacturing Co., Inc.'s behalf any additional obligation of liability connected with the unit.

It is expressly agreed and understood that this warranty is Hussong Manufacturing Co., Inc.'s sole obligation and purchaser's exclusive remedy for defective fireplace equipment. Hussong Manufacturing Co., Inc. shall not be liable for any consequential, incidental or contingent damages whatsoever. The foregoing warranty is exclusive and in lieu of all other expressed warranties. Hussong Manufacturing Co., Inc. shall not be held to implied warranties, including but not limited to the implied warranties or merchantability and fitness for a particular purpose. This warranty replaces all previous warranty policies.

Some states do not allow the exclusion or limitation of incidental or consequential damages or limitations on how long an implied warranty lasts, so the above limitations or exclusions may not apply to you. This warranty gives you specific legal rights and you may also have other rights which vary from state to state.

Hussong Manufacturing Co., Inc. reserves the right to make changes at any time, without notice, in design, material, specifications and prices. Hussong Manufacturing Co., Inc. reserves the right to discontinue models and products.

WARRANTY CONDITIONS & REQUIREMENTS:

1. You are the original purchaser. This warranty is not transferable.
2. Installation of the fireplace is performed by a qualified installer.
3. Installation and operation must comply with installation and operation instructions.
4. Paint and glass gaskets are covered for 30 days from date of purchase.
5. Components (including glass panels) broken, during shipping, careless handling of components, or defects resulting from improper installation, misuse of the fireplace and components are not covered under this warranty.
6. This warranty does not cover any part of the fireplace or any components which have been exposed to or submerged under water.
7. Hussong Manufacturing Co., Inc. must be notified by the dealer the fireplace was purchased from or a qualified installer or service technician of the defect.
8. Annual service of the fireplace as required in the installation manual, is performed by a qualified installer/service technician. (Copies of such service records may be required to claim a warranty.)
9. All previous warranty/service has been performed by a qualified installer or service technician. (Copies of such service records may be required to claim a warranty.)

K O Z Y  H E A T
 Quality Fireplaces For Life

LIFETIME WARRANTY

THIS LIFETIME WARRANTY COVERAGE WILL BE EXTENDED AS DESCRIBED BELOW PROVIDED ALL WARRANTY CONDITIONS AND REQUIREMENTS ARE MET AS OUTLINED IN THE 10 YEAR LIMITED WARRANTY POLICY.

LIFETIME WARRANTY COVERAGE

LIFETIME WARRANTY IS EXTENDED AS FOLLOWS: Hussong Manufacturing warranties to the original purchaser that the firebox, heat exchanger, fiber logs, burner tube and glass of this Kozy Heat fireplace will not be defective in material or workmanship under normal use and service for as long as you own this product. If any of these components fail due to defects in material or workmanship under normal use and service, Hussong Manufacturing Co., Inc. will, at its sole discretion, repair or replace the defective component. This LIFETIME WARRANTY does not cover any installation, labor, transportation or other indirect costs arising from defective components.

LIMITATION OF LIABILITY

This Lifetime warranty will be void if the fireplace is not installed by a qualified installer and according to the installation instructions. Use of unauthorized components will make this warranty null and void. This lifetime warranty also is void if the fireplace is not operated, at all times, according to the operating instructions furnished. This warranty is limited to defects in material and workmanship of components specified. It does not apply to any product that has been subject to negligence, misapplication, improper installation.

No person is authorized to extend the time of this Lifetime warranty or to accept on Hussong Manufacturing Co., Inc.'s behalf any additional obligation of liability connected with the unit.

Hussong Manufacturing Co., Inc. may fully discharge all obligations with respect to this Lifetime warranty by refunding the wholesale price of the defective component(s).

It is expressly agreed and understood that this Lifetime warranty is Hussong Manufacturing Co., Inc.'s sole obligation and original purchaser's exclusive remedy for defective fireplace equipment. Hussong Manufacturing Co., Inc. shall not be liable for any consequential, incidental or contingent damages whatsoever other than those incurred by Hussong Manufacturing Co., Inc. to repair or replace the defective component. The foregoing warranty is exclusive and in lieu of all other expressed warranties. Hussong Manufacturing Co., Inc. shall not be held to implied warranties, including but not limited to the implied warranties or merchantability and fitness for a particular purpose. This lifetime warranty replaces all previous lifetime warranty policies.

Hussong Manufacturing Co., Inc. reserves the right to make changes at any time, without notice, in design, material, specifications and prices. Hussong Manufacturing Co., Inc. reserves the right to discontinue models and products.

JUNE 1998

.....
(CUT ALONG DOTTED LINE)

TO ACTIVATE THIS LIFETIME WARRANTY COVERAGE, THIS REGISTRATION CARD MUST BE COMPLETED AND MAILED WITH YOUR COMPLETED 10 YEAR LIMITED WARRANTY FORM WITHIN 30 DAYS OF INSTALLATION.

PURCHASER'S NAME: _____

INSTALLATION DATE: _____

ADDRESS: _____

MODEL#: _____ **SERIAL #:** _____

TELEPHONE # _____

INSTALLER NAME: _____

ADDRESS: _____

TELEPHONE # _____