

The first name in fireplaces

**1. OUTSIDE AIR KIT INSTALLATION**

An outside air kit is supplied with this appliance. The outside air kit helps to decrease the amount of room air taken, by utilizing outside air for combustion. We strongly recommend that it be installed.

To install the outside air kit, refer to the installation instructions provided with the kit.

**WARNING!**

Exhaust products of gasoline engines are hazardous. The outside air must not be taken from a garage space, attic spaces, basements, or above the roofing where other heating appliances, fans, or chimneys exhaust or utilize air.

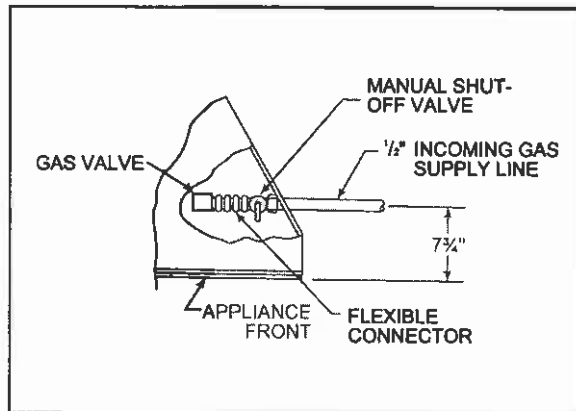
**Note:** The outside air kit can terminate at any level with the exception that it must terminate at least one foot below the vent termination cap. The outside air kit inlet thimble should be positioned at least four feet above ground level in a manner that will not allow snow, leaves, etc. to block the inlet.

**F. UTILITIES**

**1. HIGH ALTITUDE INSTALLATION**

For U.S. Installation, appliances are tested and approved for elevations from 0-2000 feet. When installing this appliance at an elevation above 2000 feet, National Fuel Gas Codes require a decrease of the input rating by changing the existing burner orifice to a smaller size. Input should be reduced 4% for each 1000 feet above sea level. Check with the local gas utility for proper orifice size identification. The correct orifice is available from your Heatilator distributor.

For Canada, appliances are certified for elevations from 0-4500 feet. When installing this appliance at an elevation between 0-4500 feet in Canada, the input rating does not need to be reduced. When installing this appliance at an elevation above 4500 feet in Canada, check with local authorities.



**Figure 10 - Gas Line**

**2. GAS LINE CONNECTION**

Open the control access panel as shown in Figure 11.

The appliance is provided with a stainless steel flexible connector and manual shutoff valve. The incoming gas line should be piped into the valve compartment and connected to the 1/2" FIP connection provided on the manual shutoff valve. All connections must be tightened and checked for leaks with a soap/water solution or leak detector. Bleed the gas line for about 5 seconds to extract any air that may have been trapped inside the pipe. See Figure 10 to connect the gas line. A gas access hole is provided on the right hand side of the appliance. We recommend that the piping be brought in from the right side. However, if it becomes necessary to plumb from the left, a gas knockout is provided.



**Figure 11  
Control Access Panel Installation/Removal**

**Note:** This appliance and its manual shutoff valve must be disconnected from the gas supply piping system during any pressure testing of that system at test pressures in excess of 1/2 psi (3.5 kPa). The appliance must be isolated from the gas supply piping system by closing its manual shutoff valve during any pressure testing of the gas supply piping system at test pressures equal to or less than 1/2 psi (3.5 kPa).

**WARNING!**

This valve has been preset at the factory. Altering settings may result in fire hazard or bodily injury.

**3. GAS PRESSURE**

On the intermittent pilot gas control valve, a pressure tap is included on the front face of the valve. Pressure taps are immediately upstream of the gas supply connection and accessible for test gauge connection. See Tables 2 and 3 for gas information.

**4. GAS CONVERSIONS**

Natural or propane gas conversions necessary to meet the application need to be made by a qualified technician using Hearth & Home Technologies specified and approved parts.

In the vent your appliance must be converted to use propane, you must use a **DCKVP** Conversion Kit. To be converted to use natural gas, you must use a **DCKVN** Conversion Kit.

<b>IB75</b>	
Inlet Gas Supply Pressure (NG)	4.5 (min.) - 7.0 (max.) in. w.c.
Optimal Manifold Press (NG)	3.5 in. w.c.
Inlet Gas Supply Pressure (LP)	11.0 (min.) - 14.0 (max.) in. w.c.
Optimum Manifold Pressure (LP)	10 in. w.c.

**Table 2**

<b>IB75</b>	
Input Rate (NG)	50,000 BTU/hr.
Input Rate (LP)	50,000 BTU/hr.
Orifice Size (LP)	
Front	.046 in./1.17 mm
Rear	.070 in./1.78 mm
Orifice Size (NG)	
Front	.056 in./1.42 mm
Rear	.129 in./3.28 mm

**Table 3**

**5. WIRING**

**a. Wall Switch Wiring**

The installer shall supply a UL-listed or in Canada, a CSA-listed wall switch. This appliance was tested with eighteen feet of UL listed 18 ga. Type CL2 105°C, two conductor "thermostat wire." If other wiring materials are used they shall comply with local codes. In the absence of local codes, they shall comply with the **National Electrical Code ANSI/NFPA 70-latest edition** or **Canadian Electrical Code CSA C22.1**.

The first name in fireplaces

**b. Ignition System**

This appliance is equipped with an intermittent pilot control valve which operates on a 3 volt system. See wiring diagram, Figure 12.

The appliance is supplied with a battery pack and a 3 volt AC transformer, which requires the installation of the supplied JK9 Junction Box Kit. It is highly recommended that the JK9 be installed at this time to avoid reconstruction. The battery pack requires two D cell batteries (not included). Batteries cannot be placed in the battery pack while using the 3 volt AC transformer. Conversely, the transformer must be unplugged if the battery pack is used.

**Note:** This appliance must be electrically wired and grounded in accordance with local codes or, in the absence of local codes, with **National Electric Code ANSI/NFPA 70-latest edition** or the **Canadian Electric Code, CSA C22I.1**.

**CAUTION:**  
Battery polarity must be correct or control module damage will occur.

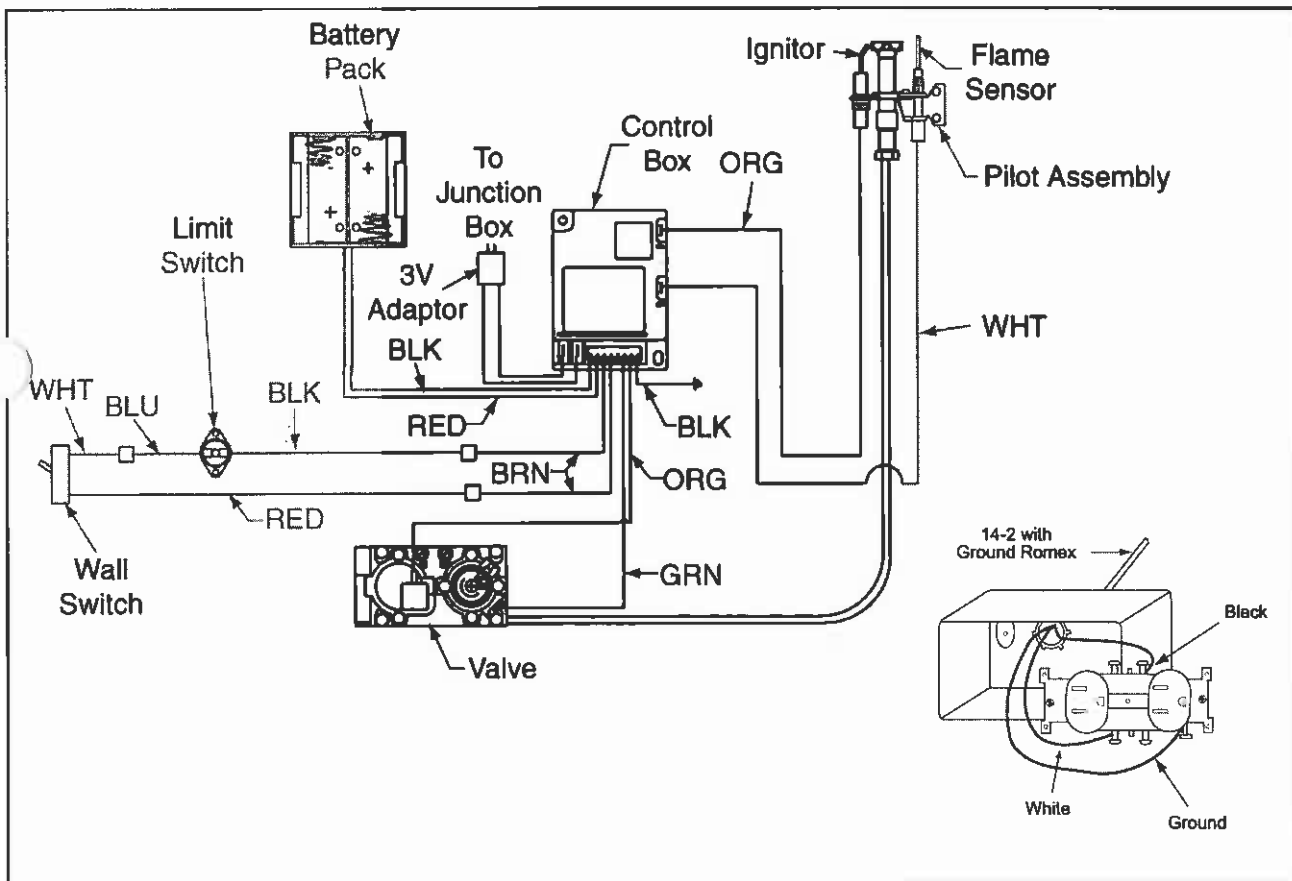


Figure 12 - Intermittent Pilot Ignition Wiring Diagram

**6. JK9 JUNCTION BOX INSTALLATION**

Your appliance is supplied with a JK9 Junction Box. To operate the appliance with the supplied 3V AC transformer and/or remote control option, it is recommended that the junction box be installed and wired at this time to avoid reconstruction.

- a. Refer to installation instructions included with the JK9 Junction Box.
- b. Wire the junction box per the diagram in Figure 12.

The first name in fireplaces

## G. FINISHING

**Combustible Finishing Material.** Material made of or surfaced with wood, compressed paper, plant fibers, plastics, or any material capable of igniting and burning, whether flame proofed or not, plastered or unplastered (this includes drywall).

**Noncombustible Finishing Material.** Material which will not ignite and burn. Such materials are those consisting entirely of steel, iron, brick, tile, concrete, slate, glass or plasters, or any combination thereof, or have a UL fire rating of zero (0).

**High Temperature Sealant Material.** Sealants that will withstand high temperatures: General Electric RTV103 (Black) or equivalent. Rutland, Inc. Appliance Mortar #63, or equivalent.

A high temperature sealant, 1/8" wide minimum bead, must be used to close off gaps between the appliance and facing to prevent cold air leaks. See Figure 13.

A combustible mantel may be installed. Please refer to Figure 3.

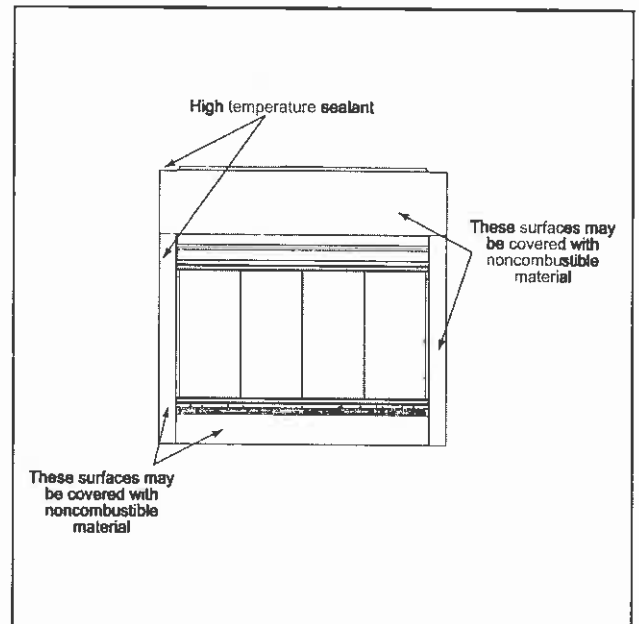


Figure 13 - Combustible Finishing Material

**WARNING!**  
Air slots on this appliance cannot, in any way, be covered as it may create a fire hazard.

## H. APPLIANCE PREPARATION

### 1. ATTACHING THE HOOD

The hood is to be located under the top front face. It must be attached or a fire hazard may result. Locate the three screws just inside the upper section of the appliance. Position the hood and slide it into position. Tighten the three screws. See Figure 14.



Figure 14 - Attaching the Hood

**2. LOG SET**

Unwrap the top left log (shipped inside the valve compartment) and position it over the pins in the proper location. The log set should look similar to that on page 21.

**3. PLACING THE LAVA ROCK AND VERMICULITE**

Place lava rock on top of the control access panel, in front of, under and around burner. When placing vermiculite, sprinkle it evenly over the area covered by the lava rock. See Figures 15-16. It is not necessary to use the entire bag of lava rock or vermiculite. Save the remaining amount for future use.

**4. PLACING THE ROCK WOOL**

Place approximately 1/2" diameter pieces of rock wool under the front log, on the lower portion of the burner tube. Place the rock wool the full length of the burner. Do not pack the wool tightly against the front burner. See Figure 17. This appliance is supplied with two bags of rock wool. It is not necessary to use all the wool. Save the remaining amount for future use.



**Figure 15**  
Placing the Lava Rock



**Figure 16**  
Placing the Vermiculite



**Figure 17**  
Placing the Rock Wool

*The first name in fireplaces*

## I. LIGHTING INSTRUCTIONS

### INTERMITTENT PILOT IGNITION

#### FOR YOUR SAFETY READ BEFORE OPERATING

##### WARNING!

If you do not follow these instructions exactly, a fire or explosion may result causing property damage, personal injury or loss of life.

- A. This appliance is equipped with an ignition device which automatically lights the pilot. **Do not** try to light the pilot by hand.
- B. **BEFORE LIGHTING** smell all around the appliance area for gas. Be sure to smell next to the floor because some gas is heavier than air and will settle on the floor.

##### WHAT TO DO IF YOU SMELL GAS:

- Do not try to light any appliance.
  - Do not touch any electric switch; do not use any phone in your building.
  - Immediately call your gas supplier from a neighbor's phone. Follow the supplier's instructions.
  - If you cannot reach your gas supplier, call the fire department.
- C. Use only your hand to close the gas line. Never use tools. If the knob will not push in or turn by hand, don't try to repair it; call a qualified service technician. Force or attempted repair may result in a fire or explosion.
  - D. Do not use this appliance if any part has been under water. Immediately call a qualified service technician to inspect the appliance and to replace any part of the control system and any gas control which as been under water.

#### INTERMITTENT PILOT IGNITION LIGHTING INSTRUCTIONS

1. Turn wall switch to the OFF position.
2. This appliance is equipped with an ignition device which automatically lights the pilot. **Do not** try to light the pilot by hand.
3. Wait five minutes to clear out any gas. If you then smell gas, **STOP!** Follow "B" in the safety information above on this label. If you do not smell gas, go on to the next step.
4. Turn the wall switch to the ON position.
5. If the appliance will not operate, follow the instructions "TO TURN OFF THE GAS TO THE APPLIANCE" and call your service technician or gas supplier.
6. If using the battery pack and the appliance will not operate, check the batteries for sufficient charge and replace if necessary.

#### TO TURN OFF THE GAS TO THE APPLIANCE

1. Turn off the wall switch.
2. Open control access panel. Turn manual shutoff valve to the CLOSED position. Do NOT force.
3. Close control access panel.

