

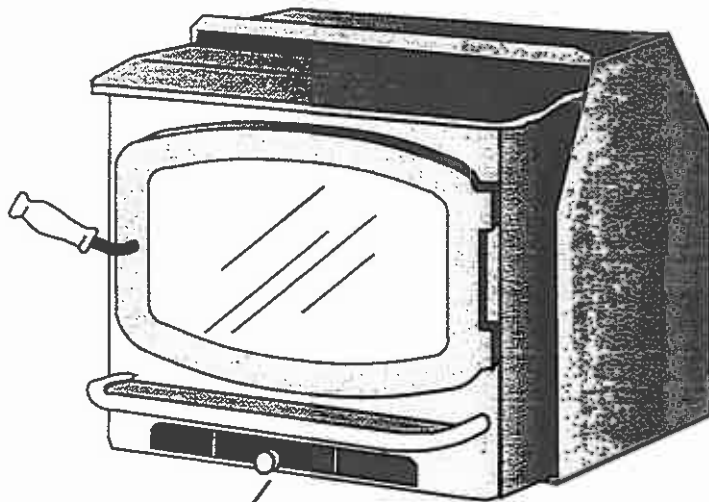
945 (45" Flue) Wood Stove & Insert



945 Body

Standard Features

- Converts to 4 Units- Freestanding on Legs or Pedestal, Insert as Masonry or Zero Clearance
- Non - Catalytic Design - 71.7% efficient
- Black Door ONLY
- Five-Sided Convection Chamber
- Single Air Control
- 3/16" & 1/4" Steel Construction
- Removable Brick Baffle
- Firebrick-lined Fire Box
- 1.8 Cu.ft. Fire Box
- Large Viewing Glass (Installed)
- 6" Flue
- Brass Trimmed Ashlip
- Brass Convection Trim
- 20" Log Capacity
- Mobile Home, Alcove & Hearth Heater Approved
- Includes Firestarter, Touch-up Paint & Brass Polish
- Emissions 2 Gr/Hr
- Cord Wood BTU/Hr - 74,300
- Limited Lifetime Warranty



Avalon 945
98700205 Black Door Unit

Insert for Masonry or Zero Clearance

Required

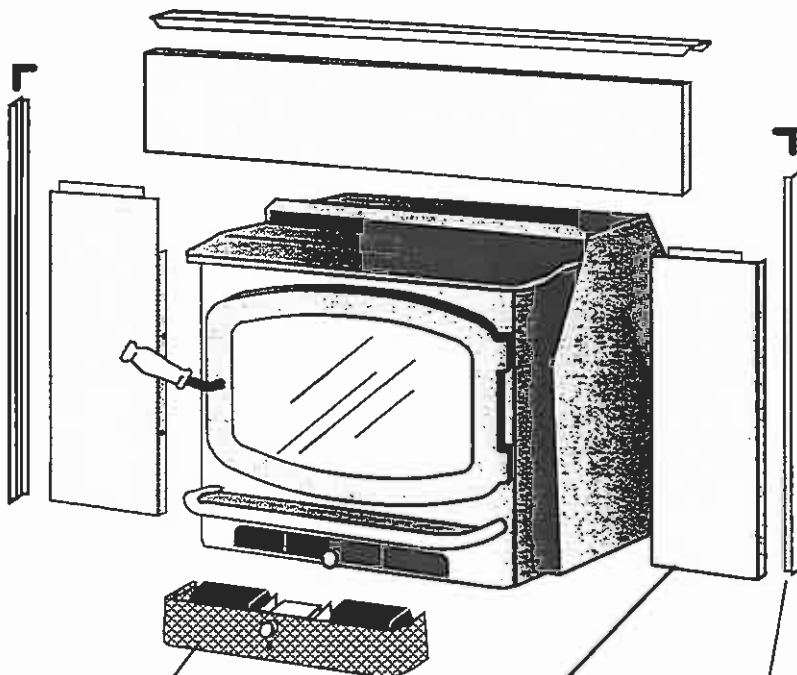
- 945 Body
- Panels, 945/990
(Choice of 3 Sizes)

Optional

- Blower, Front 745/790, 945/990
- Mantle Shield
- Etched Glass
- Telescoping Legs For Raised Fireplaces (3 1/2" to 7 1/2")

Zero Clearance Requirements

- Direct Connection, 2 ft Starter Section (See Owner's Manual).
- Panels Are Optional.



Blower, Front
745/790, 945/990
99000137

Panels, 945/990
8" 99300256
10" 99300257
12" 99300258

NOTE: Panel trim included with panels

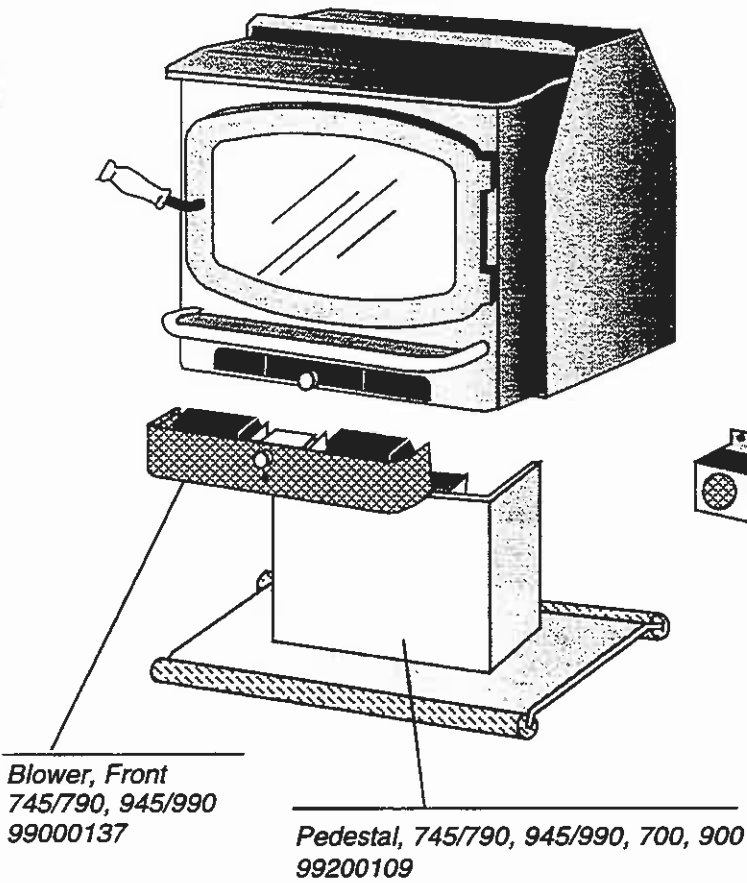
Freestanding on Pedestal

Required

- 945 Body
- Pedestal, 745/790, 945/990, 700, 900

Optional

- Blower, Rear 745/790, 945/990, 1190
- Blower, Front 745/790, 945/990
- Etched Glass



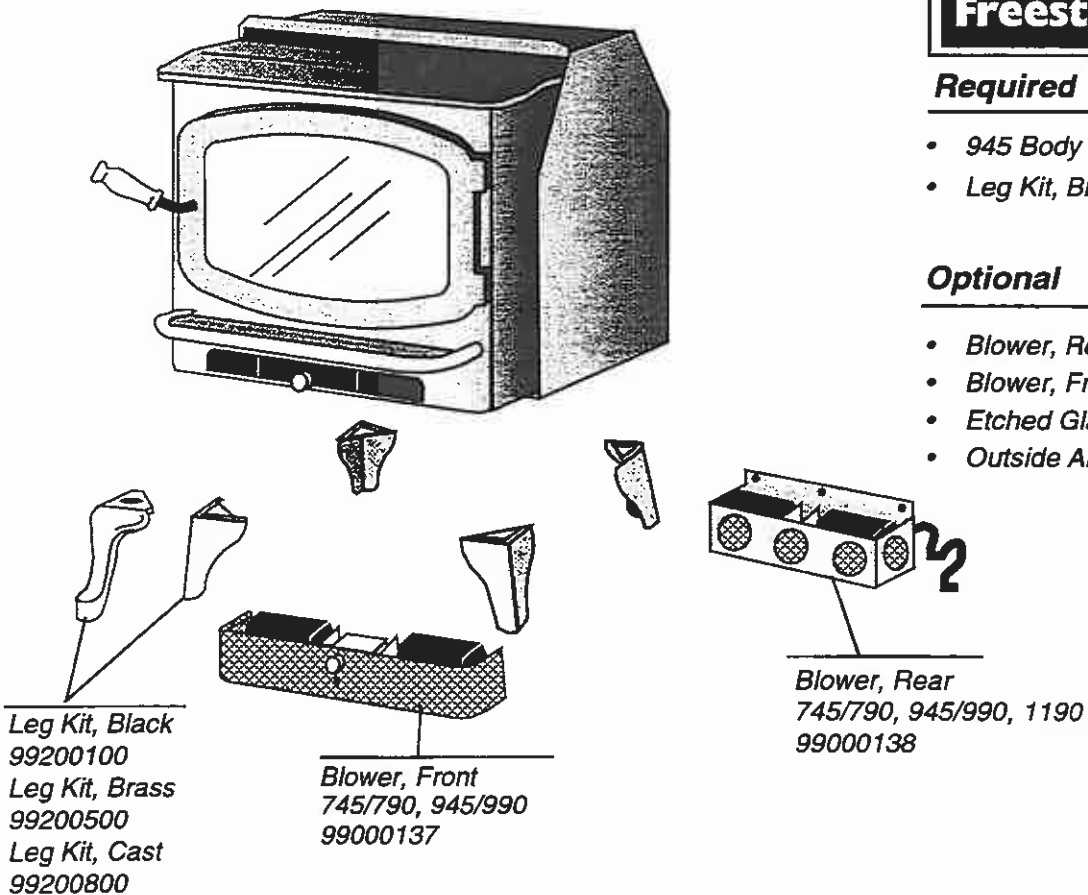
Freestanding on Legs

Required

- 945 Body
- Leg Kit, Black, Brass, Cast

Optional

- Blower, Rear 745/790, 945/990, 1190
- Blower, Front 745/790, 945/990
- Etched Glass
- Outside Air Boot



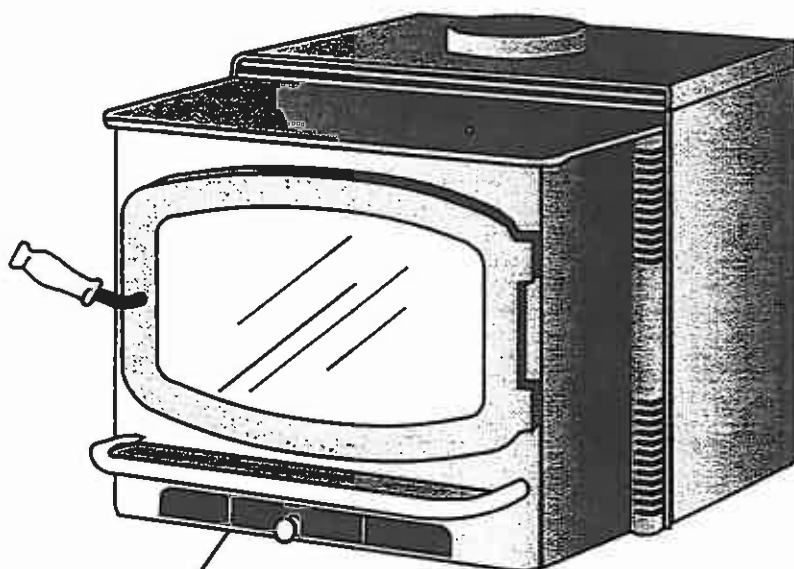
990 (Top Vent) Wood Stove & Insert



990 Body

Standard Features

- Converts to 4 Units - Freestanding on Legs or Pedestal, Insert as masonry or Zero Clearance
- Non - Catalytic Design - 71.7% efficient
- Solid Brass Door or Black Door Models
- Five-Sided Convection Chamber
- Single Air Control
- 3/16" & 1/4" Steel Construction
- Removable Brick Baffle
- Firebrick-lined Fire Box
- 1.8 Cu.ft. Fire Box
- Large Viewing Glass (Installed)
- 6" Flue
- Brass Trimmed Ashlip
- Brass Convection Trim
- 20" Log Capacity
- Mobile Home, Alcove & Hearth Heater Approved
- Includes Firestarter, Touch-up Paint & Brass Polish
- Emissions 2 Gr/Hr
- Cord Wood BTU/Hr - 74,300
- Limited Lifetime Warranty



Avalon 990 Top Vent
98700206 Brass Door Unit
98700207 Black Door unit

Insert for Masonry or Zero Clearance

Required

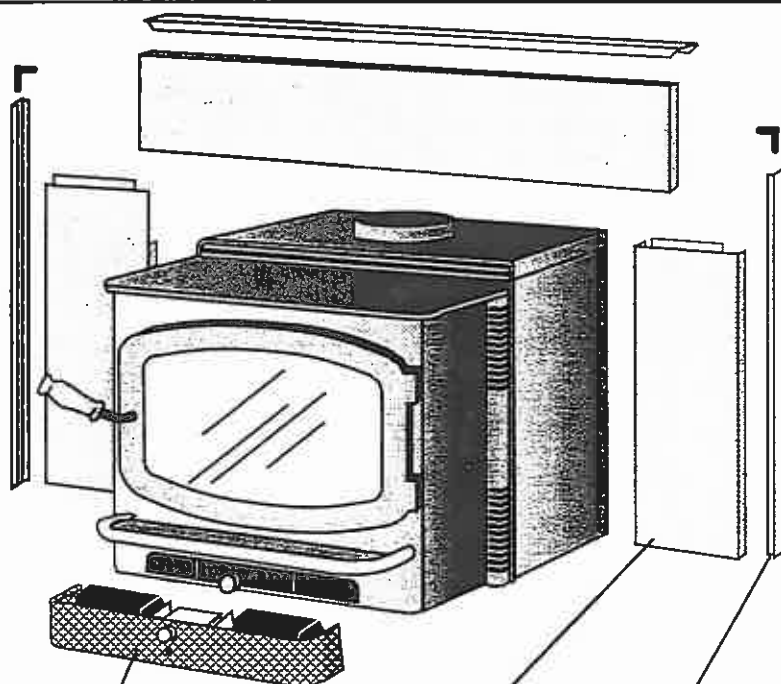
- 990 Body
- Panels & Brass Trim 945/990 (Choice of 3 Sizes)

Optional

- Blower, Front 745/790/, 945/990
- Mantle Shield
- Etched Glass
- Telescoping Legs For Raised Fireplaces (3 1/2" to 7 1/2")

Zero Clearance Requirements

- Direct Connection, 2 ft Starter Section (See Owner's Manual).
- Panels Are Optional.



Blower, Front
745/790, 945/990
99000137

Panels, 945/990
8" 99300256
10" 99300257
12" 99300258

NOTE: Panel trim included with panels

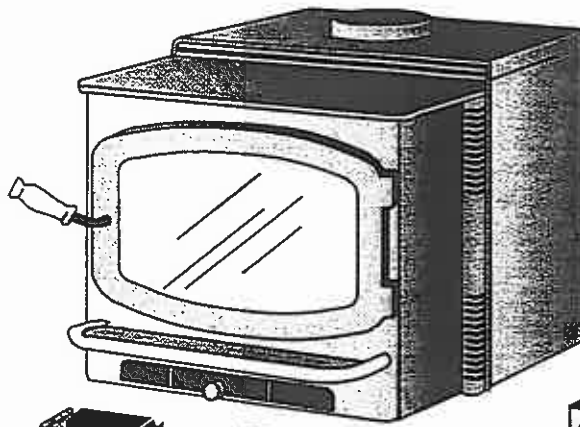
Freestanding on Pedestal

Required

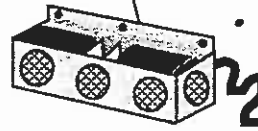
- 990 Body
- Pedestal, 745/790, 945/990

Optional

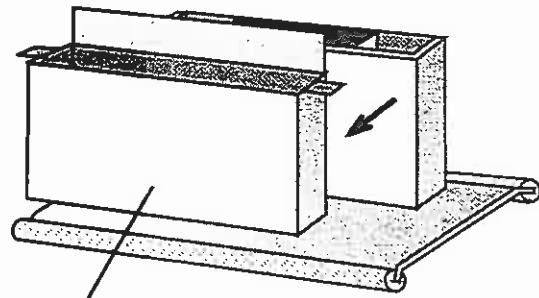
- Blower, Rear 745/790, 945/990, 1190
- Blower, Front 745/790, 945/990
- Etched Glass
- Ash Pan Pedestal, 990/1190



Blower, Rear
745/790,
945/990,
1190
99000138



Ash Pan Pedestal, 990/1190
99200125



Blower, Front
745/790, 945/990
99000137

Pedestal, 745/790, 945/990,
700, 900 - 99200109

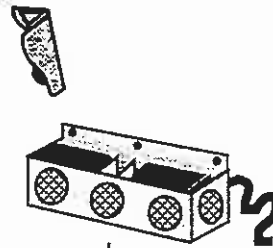
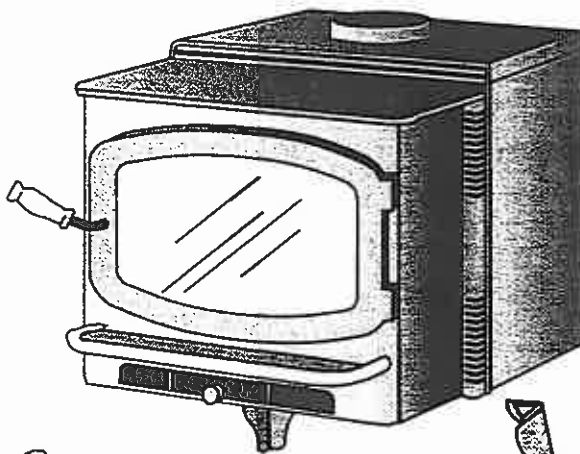
Freestanding on Legs

Required

- 990 Body
- Leg Kit, Black, Brass, Cast

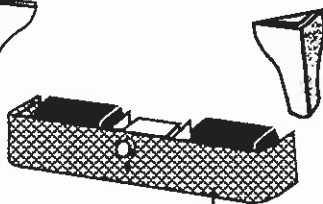
Optional

- Blower, Front 745/790, 945/990
- Blower, Rear 745/790, 945/990, 1190
- Etched Glass
- Outside Air Boot



Blower, Rear
745/790, 945/990,
1190 - 99000138

Leg Kit, Black
99200100
Leg Kit, Brass
99200500
Leg Kit, Cast
99200800



Blower, Front
745/790, 945/990
99000137