

Cedar™ DVS Gas Stove sku # 98700825

This compact gas stove completes a collection of contemporary stoves, fireplaces and fireplace inserts that began with the popular Salish DVL gas stove. The petite size and modest heat output will make this a wonderful addition to smaller living spaces

PERFORMANCE (NG & LP) (preliminary)

- Heating Capacity: 500 to 1,750 sq. ft.
- Min. BTU Output: 20,100(NG) 16,000(LP)
- Maximum BTU Input 31,000 Btu's/Hr.
- Efficiency - Up to 86.1% with maximum vent configuration
- AFUE - 67.2%
- Electrical: 115 Volts, 0.8 Amps, 60 Hz (92 Watts on high)



APPROVALS

- Tested and Listed By Omni-Test Laboratories (O-TL)
- ICBO # TL-130
- Direct Vent Stove
- Natural Gas Or Propane
- Standard Residential - Straight or corner installation
- Freestanding top vent stove - vertical or horizontal termination
- Mobile Home Approved
- Bedroom Approved
- Hearthstove Approved
- Alcove Approved

OPTIONS

- 130 CFM Fan (sku # 99000153)
- 24 Karat Gold Plated Door (sku # 99300524)
- 24 Karat Gold Plated Trivet (sku # 93005041)
- 24 Karat Gold Plate Grill (sku # 93005039)
- Cedar DVS FS Cast Fireback (sku # 98500747)
- Modulating Remote Control (sku # 99300661)
- Remote Thermostat (sku # 99300653)
- Wall Thermostat (sku # 99300650)
- Wall Switch (sku # 99300640)

Cedar™ Gas Stove

Standard Features & Benefits

FEATURES:

Seven-Year Warranty

Black Door, Black Grill and Trivet Standard

Ember-Fyre™ Burner System (patent pending)



Controls located in beautifully sculpted pedestal

Compact sized stove with elegantly curved lines

Cast details on top & pedestal with steel firebox

Dual Heat Exchange System

Large Viewing Area

Peizo Pilot Ignition

BENEFITS:

Offers homeowners protection beyond other manufacturers' so called "Lifetime Warranty".

Optional 24 karat gold plated door, trivet and grill available to customize stove to fit decor.

Your customers can enjoy the most realistic glowing ember bed, glowing hand-carved logs and soothing yellow flames which combine to create the most beautiful fire offered in any gas appliance. In fact the Ember-Fyre™ Burner System was selected by Popular Science® as one of the years **TOP ACHIEVEMENTS IN SCIENCE & TECHNOLOGY!**

Easy access to controls hidden from view

Provides beauty and modest heat output without large space requirement.

Combines aesthetic qualities of castings and durability of steel for long life.

Customer achieves much greater and efficient heat transfer from unit

Provides large bay-view of the realistic logs and dancing flames.

Allows trouble-free start up and operation even during power outages.

Cedar™ Gas Stove

Standard Features & Benefits

FEATURES:

SIT Gas Control Valve

Standing Pilot/Millivolt System

Twin Pressure Relief Doors and

Propane Conversion Kit

Stove Shipped Completely Assembled

Radiant & Natural Convection Heat

Restrictor Link (patent pending)

"Self-Balancing" Direct Vent System
(patent pending)

BENEFITS:

Gives your customer the option to adjust flame height/heat output and blower speed with remote control.

Easy access to test ports and adjustment screws.

Automatically stops flow of gas through the valve in the event of pilot outage within 30 seconds and creates sufficient electricity to run the stove and a thermostat in the event of a power outage.

State of the art design insures product will always operate safely in the event of gas build up in the firebox.

You can convert from natural gas to propane without purchasing LP kit.

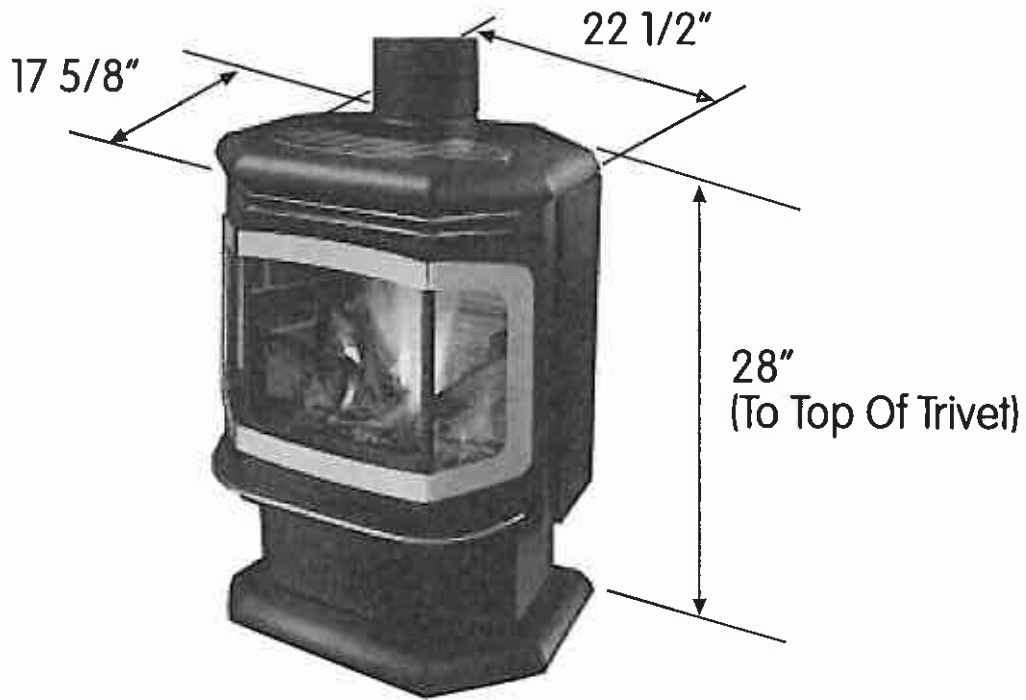
Customer receives product with assurance of proper fit-up and quality finish, reduces installation and assembly

Proven heat exchanger provides convection heat to surrounding rooms, as well as the room the appliance is installed in.

One mechanism links both exhaust and intake restrictors further enabling installers to adjust the draft and create that "As Seen In Your Showroom" enchanting fire in your customers home.

This feature allows outside air to be drawn into the exhaust vent and mixed with exhaust gases to help regulate excessive over draft conditions and help prevent pilot outages and lifting flames. This feature also helps compensate for varying environmental conditions, i.e. barometric pressure changes and variances in wind conditions.

CEDAR SPECIFICATIONS



INSTALLATION/CLEARANCES

(See Owner's Manual for details, these are preliminary clearances)

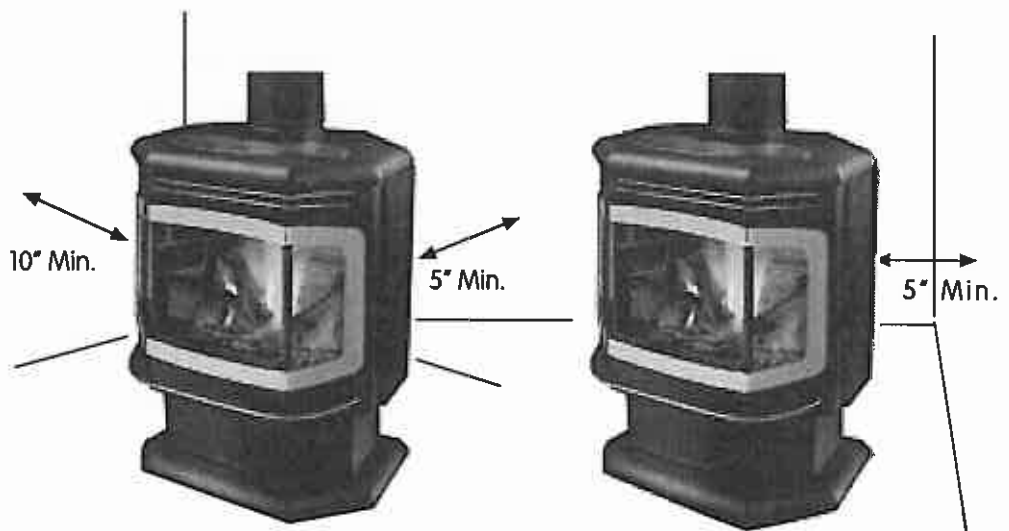
- **Hearth Pad Requirements:**

When the stove is installed directly on carpeting, vinyl or other combustible material (other than wood flooring or a high pressure laminate wood floor), the stove must be installed on a hearth pad or metal or wood protection panel extending the full width and depth of the heater (Minimum 22 1/2" wide by 17 1/2" deep).

- **Combustible Clearances**

NOTE: Measure side wall, corner, and back wall clearances from the stove top.

REDUCING CLEARANCES: Clearances may be reduced by methods specified in NFPA-211, listed wall shields, pipe shields, or other means approved by local building or fire officials.



Straight Installations

Corner Installations

SIT MILLIVOLT GAS CONTROL VALVE

FEATURES

BENEFITS

Front Thermocouple
Mount

Provides EASY access for testing or
replacing thermocouples

Gas Inlet
Test Port

Used to purge air from the supply line

Provides for easy, convenient
incoming gas pressure testing

Pilot
Adjustment
Screw

Convenient, as it uses no cover cap
screw

No potential chance of gas leak from
adjustment port due to a double "O-Ring" seal

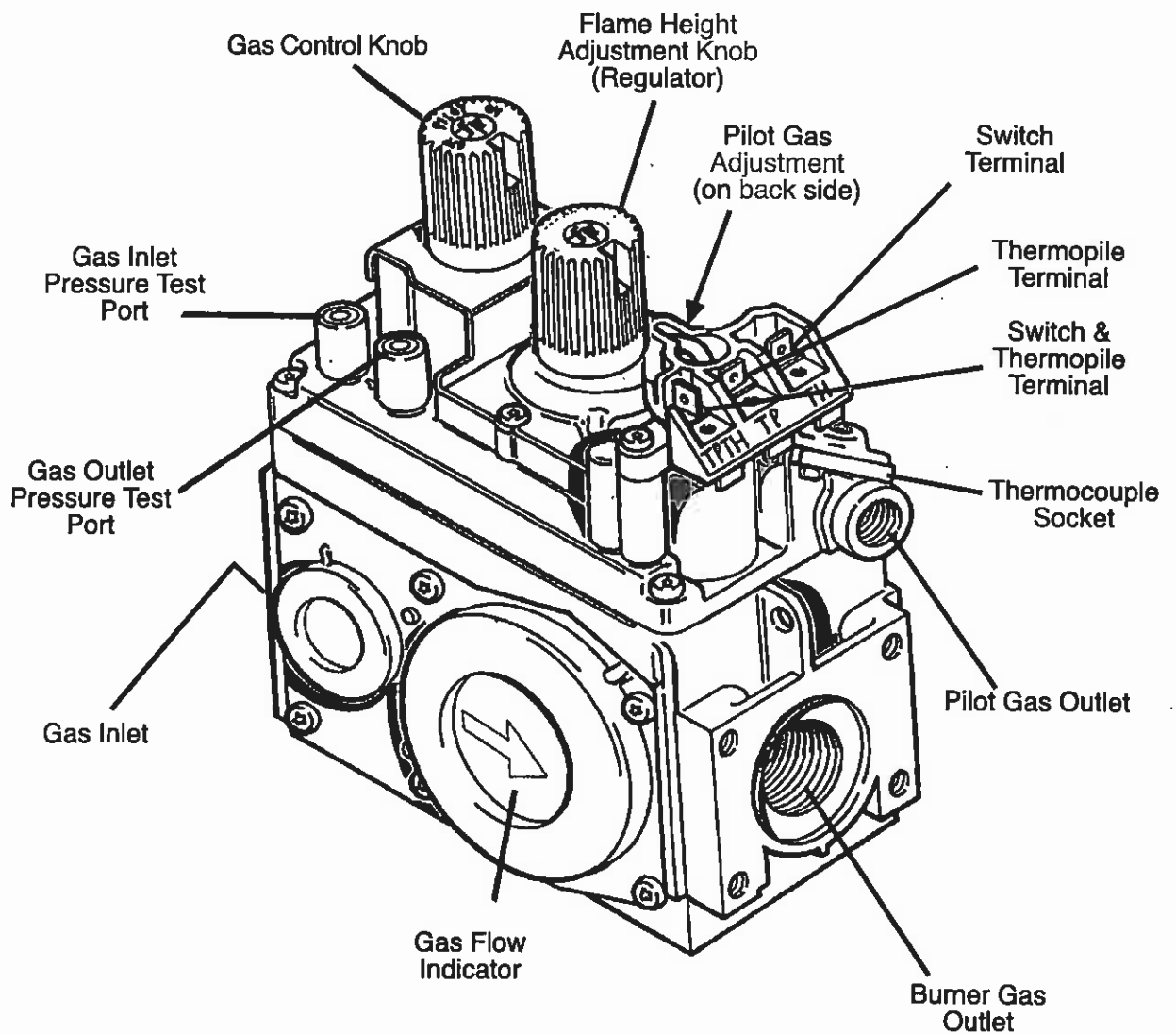
ON/OFF Pilot Control
Safety Lockout

Provides extra safety should the pilot
go out.

Upon a pilot outage, the control knob can not
be operated until the safety magnet drops out.
Within 30 seconds you will hear a distinctive
"CLICK", the control knob can now be
operated.

SIT MILLIVOLT GAS CONTROL VALVE DIAGRAM

Illustrated is a detailed drawing of the NEW SIT Valve. Take the time to make sure that your installers, service personnel and sales staff become familiar with the features and benefits of the SIT valve.

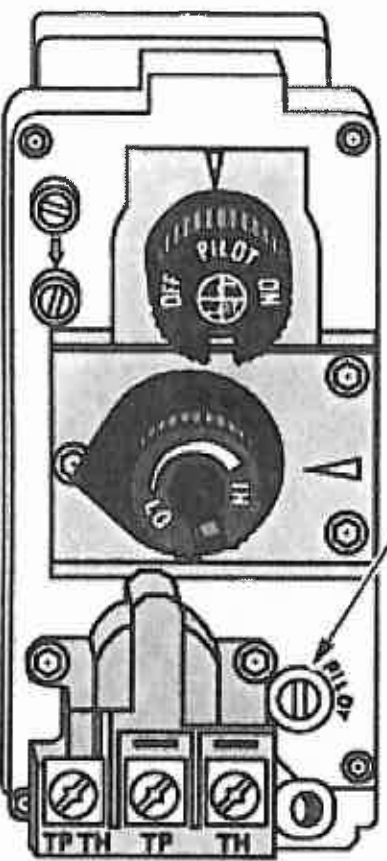


SIT
Millivolt Valve

SIT MILLIVOLT GAS CONTROL VALVE - Pilot Adjustment

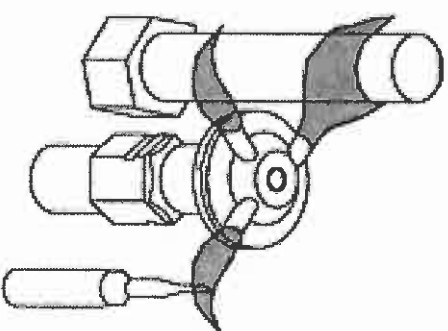
The SIT valve allows easy access to pilot adjustments without removal of parts.

To adjust the pilot flame, turn this screw (NOTE: if totally unscrewed gas will come out of this port). Clockwise lowers the flame while counter-clockwise raises it.



Standard
Screwdriver

The pilot flame must contact the thermocouple and thermopile (see the illustration below). Adjust the pilot up or down as necessary.



SIT MILLIVOLT GAS CONTROL VALVE - Regulator Conversion for LP

These illustrations from the Owners Manual show how the Regulator is replaced for LP conversion on the new SIT valve.

