

heatilator®

The first name in fireplaces

Heatilator
 1915 W. Saunders Street
 Mt. Pleasant, IA 52641 - 1563
 A Division of Hearth Technologies Inc.

QUICK TILE SURROUNDS

QKE 1B - 30" Surround for NOVUS Fireplaces

QKE 2B - 33" AND 36" Surround for NOVUS Fireplaces

QKE3B - 36" Surround for CALIBER Fireplaces

QKE4B - 42" Surround for CALIBER Fireplaces

INSTALLATION INSTRUCTIONS

These Quick Tile Surrounds are intended for use with specific HEATILATOR® Gas Appliances. Refer to the installation instructions supplied with the gas appliance for the correct Accessories to be used. If any problems are encountered regarding Code approvals, or if you need clarification of the instructions contained here, contact your local distributor/dealer, or the Technical Services Department, Heatilator, 1915 W. Saunders Street, Mt. Pleasant, Iowa 52641 - 1563.

HEATILATOR® is a registered trademark of Heatilator, a Division of Hearth Technologies Inc.

This Surround Pkg Contains:

Tools Required:
Screwdriver

ITEM	DESCRIPTION	Qty.
1	Surround Extrusions	3
2	Corner Brackets	4
3	Spring Clips	28
4	Sheet Rock Screws	6
5	Toggle Bolts	6
6	Corner Spacers	4

STEP BY STEP SURROUND ASSEMBLY AND MOUNTING

Read these Instructions entirely, especially the Finishing section, BEFORE STARTING ASSEMBLY.

1. Align the 45° Corners of the Surround Side pieces with the Surround Top. Insert the Corner Brackets and Spacers into the Channels on the back of these parts. There are [2] Brackets and Spacers for each Corner. See Figure 1.
2. Tighten the screws in each Corner Bracket.

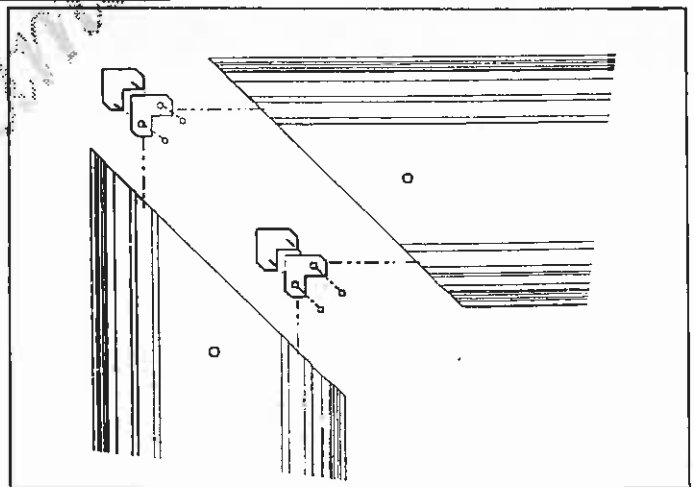


Figure 1

**STEP BY STEP SURROUND
ASSEMBLY AND MOUNTING CONTINUED:**

- Place the assembled Surround against the fireplace Face and mark the Wall through the pre-drilled Mounting Holes in the Surround pieces. There are [2] Holes in each Side piece and also in the Top piece. See Figure 2.
- Attach the Surround to the Wall with the appropriate Fasteners: Use the Sheet Rock screws provided (only if the Mounting Holes line up with Framing Studs) or use the Toggle Bolts provided (if the Sheet Rock screws cannot be run into Framing Studs). See Figure 2.

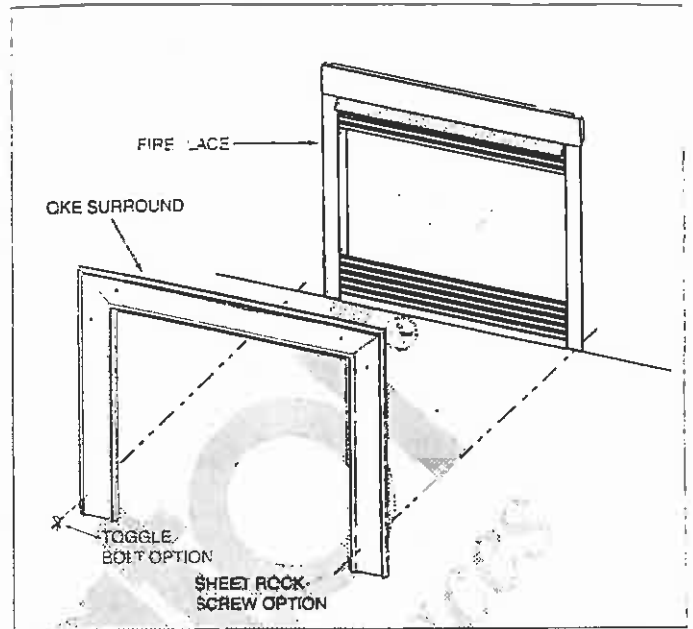


Figure 2

Note: The Tile might have to be cut to fit the length of the Surround pieces.

WARNING!
DO NOT USE THESE SCREWS UNLESS THEY CAN BE RUN INTO WALL FRAMING MEMBERS.

FINISHING.

Spring Clips are provided to hold 4 1/4" x 4 1/4" x 1/4" Tiles or other 4 1/4" x 1/4" decorative materials in the Surround.

WARNING!
THE SURROUND EXTRUSION WILL NOT ACCEPT TILE OR OTHER DECORATIVE MATERIALS THICKER THAN .30" OR HIGHER THAN 4 1/4" TO USE THE SPRING CLIPS.

- Place a Spring Clip into the deeper of the [2] Channels in the Surround Front. See Figure 3.
- Place [1] Edge of a Tile against the Spring Clip and depress the Clip.
- Push the opposite Edge of the Tile into the Surround Channel, opposite the Spring Clip. The Spring Tension will hold the Tile in place.
- Continue inserting Spring Clips and Tiles. Spring Clips are not needed for every Tile space but should be evenly spaced across the Top and on each Side of the Surround.
- DO NOT USE A CAUSTIC TILE GROUT - IT WILL DAMAGE THE ALUMINUM SURROUND!

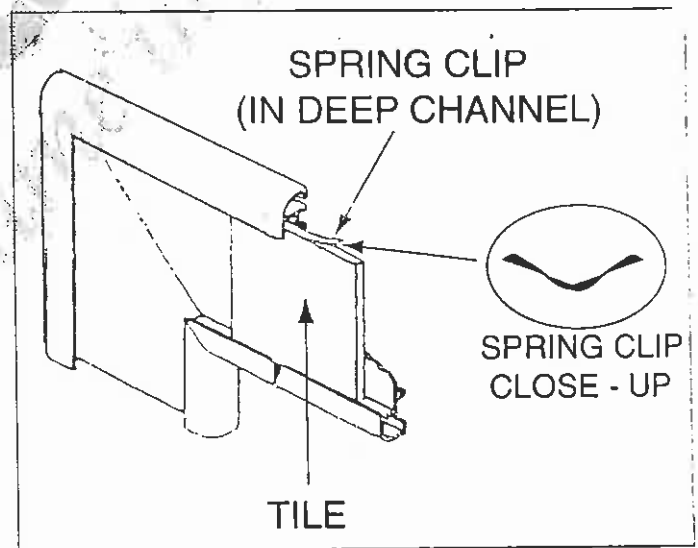


Figure 3

CLEANING.

Clean the QKE Surround with a mild soap and water solution. DO NOT use harsh or abrasive cleaners or the surface finish on the Surround will scratch or blemish.