

INSTALLATION INSTRUCTIONS

Installation And Operation Instructions

*For Unvented
Decorative
Gas Fireplaces*

*Models
VFST-CMN
VFST-CMP
VFPP-CMN
VFPP-CMP*

WARNING: If the information in this manual is not followed exactly, a fire or explosion may result causing property damage, personal injury or loss of life.

– Do not store or use gasoline or other flammable vapors and liquids in the vicinity of this or any other appliance.

– WHAT TO DO IF YOU SMELL GAS

- Do not try to light any appliance.
- Do not touch any electrical switch; do not use any phone in your building.
- Immediately call your gas supplier from a neighbor's phone. Follow the gas supplier's instructions.
- If you cannot reach your gas supplier, call the fire department.

– Installation and service must be performed by a qualified installer, service agency or the gas supplier.

This is an unvented gas-fired heater. It uses air (oxygen) from the room in which it is installed. Provisions for adequate combustion and ventilation air must be provided. Refer to Combustion and Ventilation Air Section, Page 3.

Due to high temperatures, the appliance should be located out of traffic and away from furniture or draperies.

Do not place clothing or other materials on or near this appliance.

PLEASE RETAIN THIS MANUAL FOR FUTURE REFERENCE.

WARNING: DO NOT USE A BLOWER INSERT, HEAT EXCHANGER INSERT OR OTHER ACCESSORY NOT APPROVED FOR USE WITH THIS HEATER.



TABLE OF CONTENTS

General Information	page 2
Inventory	page 2
Tools and Building Supplies	page 2
Installation Applications	page 2
Important Safety Information	page 2
Codes	page 3
Combustion and Ventilation Air	page 3
Location of Fireplace	page 4
Clearances	page 4
Preinstallation	page 5
Installation – Built-In	page 5
Finished Wall Details	page 6
Electrical Wiring – Optional Blower	page 7
Connecting Gas Line	page 7
Gas Pressure Check	page 7
Installation – Surround	page 8
Log Assembly	page 9
Flame Appearance	page 9
Optional Equipment	page 10
Blower Kit	page 10
Cleaning and Servicing	page 11
Replacement Parts	page 11
Accessories/Components	page 12
Appliance Specifications	page 13
Troubleshooting Guide	page 15
Operating Instructions	page 16
Replacement Parts List	page 19
Warranty	page 20

GENERAL INFORMATION

The VFST and VFPF Series Unvented Room Heaters covered in this manual feature a unitized set of eight (8) ceramic fiber split logs.

These heaters have a standing pilot and may be manually controlled through the use of an on/off wall switch or wall thermostat or any combination of both of them.

A sparkignition system (piezo) allows the heater pilot gas to be lit without the use of matches or batteries and permits operation of the heater during a power outage.

These heaters are fitted with a specially designed pilot (ODS) which responds to the amount of oxygen available in the room and shuts the heater off before the oxygen level drops below 18%. The pilot can be relit only when fresh air is available. Refer to the Combustion and Ventilation Air section.

The VFST and VFPF Series Unvented Room Heaters must be built into a framed wall.

This heater has been tested to the standards of ANSI Z21.11.2 unvented heaters.

Do not install these unvented room heaters in a bedroom or bathroom as all units exceed maximum allowable BTU/Hr input of 10,000.

Inventory

Unvented Gas Fireplace
Installation and Operating Instructions

Tools and Building Supplies Normally Required

Tools Should Include:

- Phillips screwdriver
- Hammer
- Saw and/or Sabersaw
- Measuring tape
- Electric drill and bits
- Pliers
- Square
- Piping complying with local codes
- Pipe wrench
- Tee joint
- Pipe compound

Building Supplies Should Include:

- Framing materials
- Wall finishing materials
- Caulking materials (noncombustible)
- Fireplace surround materials

Check the inventory list to be sure that you have all the necessary parts in usable condition. Also check for concealed damage.

IMPORTANT SAFETY INFORMATION

INSTALLER: PLEASE LEAVE THESE INSTRUCTIONS WITH THE OWNER.

OWNER: PLEASE RETAIN THESE INSTRUCTIONS FOR FUTURE REFERENCE.

IMPORTANT: BEFORE STARTING YOUR HEATER INSTALLATION, READ THESE INSTALLATION INSTRUCTIONS CAREFULLY TO BE SURE YOU UNDERSTAND THEM COMPLETELY AND IN ENTIRETY. FAILURE TO FOLLOW THESE INSTRUCTIONS COULD CAUSE A HEATER MALFUNCTION RESULTING IN SERIOUS INJURY AND/OR PROPERTY DAMAGE.

UNVENTED GAS ROOM HEATER SPECIFICATIONS AND TECHNICAL DETAILS

Model No.	Gas Type	Maximum BTU/HR	Valve Operation	Ignition	Regulator Pressure Setting	Gas Inlet Pressure
VFST-CMN VFPF-CMN	Natural	27,000 Low 34,000 High	Millivolt with Flame Control	Piezo	5" w.c.	Max 10 1/2" w.c. Min. 6" w.c.
VFST-CMP VFPF-CMP	Propane/ LPG	27,000 Low 34,000 High	Millivolt with Flame Control	Piezo	10" w.c.	Max 13" w.c. Min. 11" w.c.

Note: Test gage connections are provided on the front of the gas control valve (identified A for the manifold side and E for inlet pressure).

WARNING: FAILURE TO COMPLY WITH THE INSTALLATION AND OPERATING INSTRUCTIONS PROVIDED IN THIS DOCUMENT WILL RESULT IN AN IMPROPERLY INSTALLED AND OPERATING UNVENTED ROOM HEATER, VOIDING ITS WARRANTY. ANY CHANGE TO THIS HEATER AND/OR ITS OPERATING CONTROLS IS DANGEROUS. IMPROPER INSTALLATION OR USE OF THIS HEATER CAN CAUSE SERIOUS INJURY OR DEATH FROM FIRE, BURNS, EXPLOSION OR CARBON MONOXIDE POISONING.

WARNING: THESE APPLIANCES ARE DESIGNED TO OPERATE ON NATURAL OR PROPANE GAS ONLY. THE USE OF OTHER FUELS OR COMBINATION OF FUELS WILL DEGRADE THE PERFORMANCE OF THIS SYSTEM AND MAY BE DANGEROUS.

Carbon Monoxide Poisoning: Early signs of carbon monoxide poisoning are similar to the flu with headaches, dizziness and/or nausea. If you have these signs, obtain fresh air immediately. Turn off the gas supply to the heater and have the Unvented Gas Heater serviced as it may not be operating correctly.

- Due to high temperatures, the heater should be located out of traffic and away from furniture and draperies.
- Children and adults should be alerted to the hazard of high surface temperatures and should stay away to avoid burns or clothing ignition.
- Young children should be carefully supervised when they are in the same room with the heater.
- Do not place clothing or other flammable material on or near the heater for the purpose of drying.
- Installation and repair should be done by a qualified service person. The heater should be inspected before use and at least annually by a professional service person. More frequent cleaning may be required due to excessive lint from carpeting, bedding material, etc. It is important that control compartments, burners and circulating air passageways of the heater be kept clean.
- Allow the heater to cool before servicing. Always shut off any electricity or gas to the heater while performing service work.
- Do not install the VFST and VFPF series heaters in a bedroom or bathroom.

- The installation must conform with local codes or, in the absence of local codes with the National Fuel Gas Code, ANSI Z223.1.
- The heater and its individual shut-off valve must be disconnected from the gas supply piping system while performing any tests of the gas supply piping system at pressures in excess of ½ psig.
- The heater must be isolated from the gas supply piping system by closing its individual manual shut-off valve during any pressure testing of the gas supply piping system at test pressures equal to or less than ½ psig.

- Any safety screen or guard removed for servicing the heater must be replaced prior to operating the heater.
- Keep heater area clear and free from combustible materials, gasoline and other flammable vapors and liquids.
- Do not use these appliances if any part has been under water. Immediately call a qualified professional service technician to inspect the appliance and to replace any parts of the control system and any gas control which have been under water.
- Test gage connections are provided on the front of the gas control valve (identified A for the manifold side and E for inlet pressure).
- Input ratings are shown in BTU per hour and are for elevations up to 7,000 feet. Operating heater above elevations of 7,000 feet may cause ODS pilot outage.
- Ensure that the heater is clean when operating. Excessive dust accumulation on the burner and logs will increase the amount of carbon monoxide formation and could lead to carbon monoxide poisoning and death.

CODES

Adhere to all local codes or in their absence the latest edition of The National Fuel Gas Code ANSI Z223.1 or NFPA54 which can be obtained from The American National Standards Institute, Inc. (1430 Broadway, New York, NY, 10018) or National Fire Protection Association, Inc. (Batterymarch Park, Quincy, MA, 02269).

COMBUSTION AND VENTILATION AIR

This heater shall not be installed in a confined space or unusually tight construction unless provisions are provided for adequate combustion and ventilation air.

Unusually tight construction is defined as construction where:

- a. wall and ceilings exposed to the outside atmosphere have a continuous water vapor retarder with a rating of one perm or less with openings gasketed or sealed, and
- b. weather stripping has been added on operable windows and doors, and
- c. caulking or sealants are applied to areas such as joints around window and door frames, between sole plates and floors, between wall-ceiling joints, between wall panels, at penetrations for plumbing, electrical, and gas lines, and at other openings.

Use the following equations to determine if you have a confined or unconfined space.

1. Determine the volume of space — ft³.

Length x Width x Height = _____ ft³
 (Include adjoining rooms with doorless passageways or ventilation grills between rooms.)

Example: 16' (L) x 16' (W) x 8' (H) = 2048 ft³

2. Divide the volume of space by 50 ft³ to determine the maximum BTU/Hr the space can support.

_____ (volume of space – ft³) / 50 ft³ =
 (Maximum BTU/Hr the space can support)

Example: 3072 ft³ / 50 ft³ = 40.96
 or 40,960 BTU/Hr the space can support.

3. Add the BTU/Hr of all the fuel burning appliances in the space.

Vent-Free heater	_____	BTU/Hr
Gas appliance #1*	_____	BTU/Hr
Gas appliance #2	+ _____	BTU/Hr
	Total = _____	BTU/Hr

Example:

VFST Vent-free heater	32,000	BTU/Hr
Gas appliance #1 (water heater)	34,000	BTU/Hr
	Total = 66,000	BTU/Hr

* Do not include direct-vent gas appliances. Direct-vent is sealed combustion and draws combustion air from the outdoors.

4. Compare the maximum BTU/Hr the space can support with the actual amount of BTU/Hr used.

_____ BTU/Hr
(max. the space can support)
_____ BTU/Hr
(actual amount of BTU/Hr used)

Example:

40,960 BTU/Hr
(max. the space can support)
66,000 BTU/Hr
(actual amount of BTU/Hr used)

The space in the above example is a confined space because the actual BTU/Hr used is more than the maximum BTU/Hr the space can support. You must provide additional fresh air.

WARNING: IF THE AREA IN WHICH THE HEATER MAY BE OPERATED IS SMALLER THAN THAT DEFINED AS AN UNCONFINED SPACE OR IF THE BUILDING IS OF UNUSUALLY TIGHT CONSTRUCTION, PROVIDE ADEQUATE COMBUSTION AND VENTILATION AIR BY ONE OF THE METHODS DESCRIBED IN THE NATIONAL FUEL GAS CODE, ANSI Z223.1 1992, SECTION 5.3 OR APPLICABLE LOCAL CODES.

Your options are:

a. Rework equations adding the space of adjoining room(s). If the extra volume provides an unconfined space, then remove door or add ventilation grills between rooms. Refer to National Fuel Gas Code, ANSI Z223.1 1992, Section 5.3.

b. Vent room directly to the outdoors. Refer to National Fuel Gas Code, ANSI Z223.1 1992, Section 5.3.

If the actual BTU/Hr used is less than the maximum BTU/Hr the space can support, then the space is an unconfined space. You will need no additional fresh air ventilation for an unconfined space.

LOCATION OF FIREPLACE

Carefully select the best location for installation of your VFST or VFPF series Unvented Room Heater. The following factors should be taken into consideration:

- Clearance to side wall, ceiling, woodwork and windows.

- Location must not be affected by drafts caused by kitchen exhaust fans, return air registers for forced air furnaces/air conditioners, windows or doors.

- Installation must provide adequate ventilation and combustion air.

- Do not install the VFST or VFPF series heaters in a sleeping room or bathroom.

- Never obstruct the front opening of the heater or restrict the flow of combustion and ventilation air.

- This appliance may be installed in an after-market* manufactured (Mobile) Home, where not prohibited by state or local codes.
*Aftermarket: Completion of sale, not for purpose of resale, from the manufacturer.

- Minimize modifications to existing construction.

To ensure even heat distribution, it is best to position the heater centrally within the rooms. Make sure there is adequate ventilation where the heater is installed. The gas appliance will shut off if the oxygen level falls below 18%.

These appliances are uniquely suited for installations requiring a utility shelf positioned directly above the fireplace. Utility shelves like these are commonly used for locating television sets and decorative plants.

To provide for the lowest possible shelf surface, combustible materials used to support a utility shelf directly above these appliances should be positioned just above the appliance top spacers. The minimum height from the base of the appliance to the underside of combustible materials used to construct a utility shelf is 43 1/4" (1099 mm).

The appliance should be mounted on a fully supported base extending the full width and depth of the unit. The appliance may be located on or near conventional construction materials. However, if installed on combustible materials, such as carpeting, vinyl tile, etc., a metal or wood barrier covering the entire bottom surface must be used.

If the appliance is to be elevated above floor level, a solid continuous platform must be constructed.

WARNING: MAINTAIN MINIMUM CLEARANCES.

Do not install in the vicinity of gasoline or other flammable liquids. The heater must be kept clear and free from these combustible materials and may not be located near where they are stored.

Clearances

WARNING: DO NOT INSTALL VFST SERIES UNVENTED ROOM HEATERS IN SLEEPING QUARTERS, OR IN RECREATIONAL VEHICLES.

WARNING: DO NOT INSTALL THE VFST UNVENTED ROOM HEATER:

- WHERE CURTAINS, FURNITURE, CLOTHING OR OTHER FLAMMABLE OBJECTS ARE LESS THAN 42" FROM THE FRONT OF THE UNVENTED ROOM HEATER.
- IN HIGH TRAFFIC AREAS.
- IN WINDY OR DRAFTY AREAS.

Ensure the minimum clearances shown in *Figures 1 and 2* are maintained.

Combustible mantles may be installed above the appliance (as shown in *Figure 2*). The mantle projection may be extended beyond 8" if the height above the firebox opening is increased proportionately as detailed by the increments shown.

Minimum clearance to combustibles are:

Appliance: each side - ½"
 floor - 0"
 adjacent wall - 0"
 ceiling - 37 ½" (953 mm)

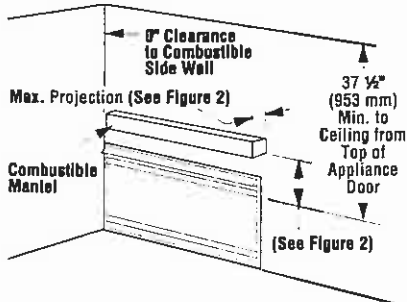


Figure 1

A hearth extension is not required with this appliance. If a hearth extension is used, do not block the lower control compartment door. Any hearth extensions used is for appearance only and does not have to conform to standard hearth extension installation requirements.

Note: Combustible wall finish materials and/or surround materials must not be allowed to encroach the area defined by the appliance front face (black sheet metal). Never allow combustible materials to be positioned in front of or overlapping the appliance front face.

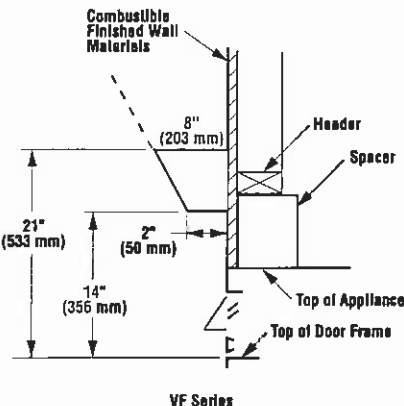


Figure 2

PREINSTALLATION

Check that all listed parts have been received.

Carefully inspect the heater case and contents for shipping damage and immediately inform the dealer from whom you purchased the gas fireplace if any damage is found.

The appliance is shipped with all gas controls and components installed and pre-wired. Remove the shipping carton, exposing the screen panel assemblies or optional (if installed) glass doors. Remove wood slats and remove and discard the wood slat mounting brackets. Loosen and remove the three (3) ¼"-20 x 1" Phillips pan head screws at the three (3) tabs located along the top of the screen or glass door frame top edge. Tilt the frame outward and disengage the three (3) tabs along the bottom from the three (3) brackets at the bottom of the firebox opening. Remove the door and set the panel aside protecting it from inadvertent damage. Retain the three (3) screws for use on reassembly. Repeat the procedure (if required) to gain access to the other side of the appliance. Remove the logs, packaged inside the firebox and also set aside.

Check Gas Type

This appliance can only be connected to the gas type specified on the appliance data plate. This appliance can not be modified in the field for a different gas type. If the gas type to be used is not the one specified contact the dealer to obtain the correct gas appliance.

Note: Illustrations shown in this manual reflect "typical" installations with nominal dimensions and are for design and framing reference only. Actual installations may vary due to individual design preferences. However, always maintain minimum clearances to combustibile materials and do not violate any specific installation requirements.

Note: The following steps represent the normal sequence of installation. Each installation is unique, however, and might require a different sequence.

CAUTION: HEATERS CREATE WARM AIR CURRENTS. THESE CURRENTS MOVE HEAT TO WALL SURFACES NEXT TO HEATER. INSTALLING HEATER NEXT TO VINYL OR CLOTH WALL COVERINGS OR OPERATING HEATER WHERE IMPURITIES IN THE AIR (SUCH AS TOBACCO SMOKE) EXISTS, MAY DISCOLOR WALLS.

ASSEMBLY STEPS

The typical sequence of installation follows, however, each installation is unique resulting in variations to those described.

1. Construct the appliance framing.
2. Route gas supply line to appliance location.
3. Install nailing flanges. Install the hoods.
4. Position the appliance within the framing and secure with nailing brackets.
5. Make connection to gas supply.
6. Assemble the Carbon Monoxide Safety Shutoff (COSS).
7. Install the operating control switch and bring in electrical service line for forced air circulating blower (optional equipment).
8. Mount forced air kit (optional equipment).
9. Install the logs and Rockwool.
10. Checkout appliance operation.
11. Install screen assembly or (optional) glass door.

INSTALLATION STEPS Built-In Systems

WARNING: DO NOT ALLOW FANS TO BLOW DIRECTLY INTO THE FIREPLACE. AVOID ANY DRAFTS THAT ALTER BURNER FLAME PATTERNS.

WARNING: DO NOT USE A BLOWER INSERT, OR OTHER ACCESSORY NOT APPROVED FOR USE WITH THIS HEATER.

Do not burn solid fuels in this listed unvented gas room heater.

Note: Appliance Dimensional Specifications are shown in Figure 3.

Step 1. Frame the VFST appliance as illustrated in Figures 4 and 5.

The header may be in direct contact with the top metal spacers, but must not rest on them or be notched to fit around them.

Step 2. Route a ½" (13 mm) gas line along the left or right side framing (Figure 6). The primary method for the SF is from the right end (when viewed from the control side) straight in to the valve. ST's may be routed as the PF's are, from the left using an assembly composed of a ¾" street elbow, a ¾" elbow and ¾" 6" long nipple.

VFST APPLIANCE SPECIFICATIONS

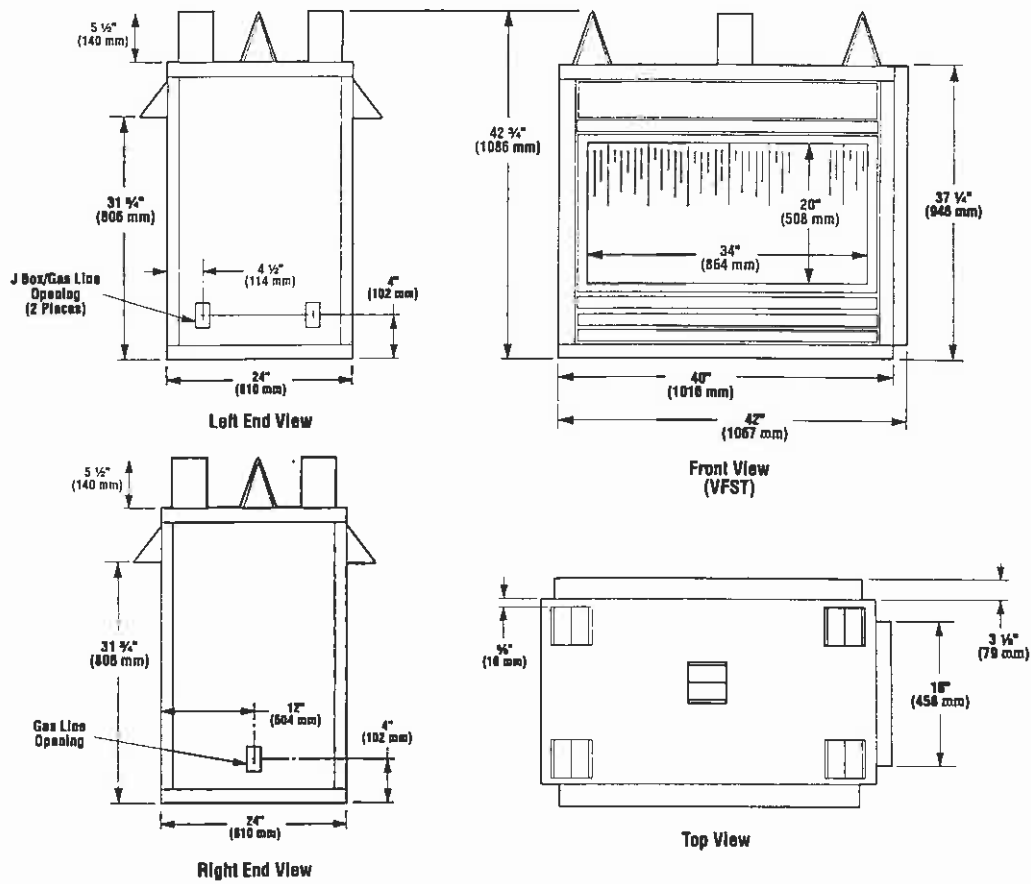


Figure 3

VFST FRAMING SPECIFICATIONS

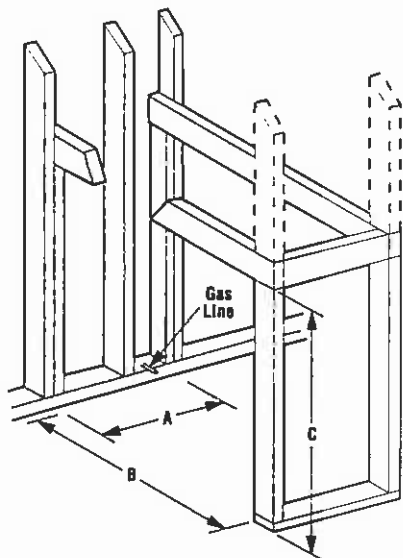
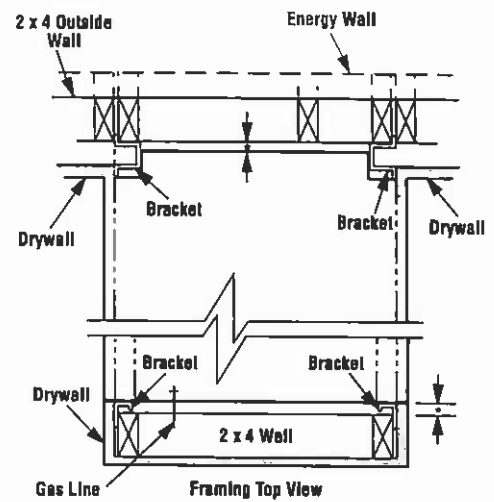


Figure 4

Framing Dimensions

A	22 3/4" (578 mm)*
B	43 1/4" (1099 mm) Min.
C	43" (1092 mm) Min.

*Note: Framing dimensions calculated for 3/8" drywall finish.



* 1/2" (13mm) Required Air Space Clearance

Figure 5

VFPF APPLIANCE SPECIFICATIONS

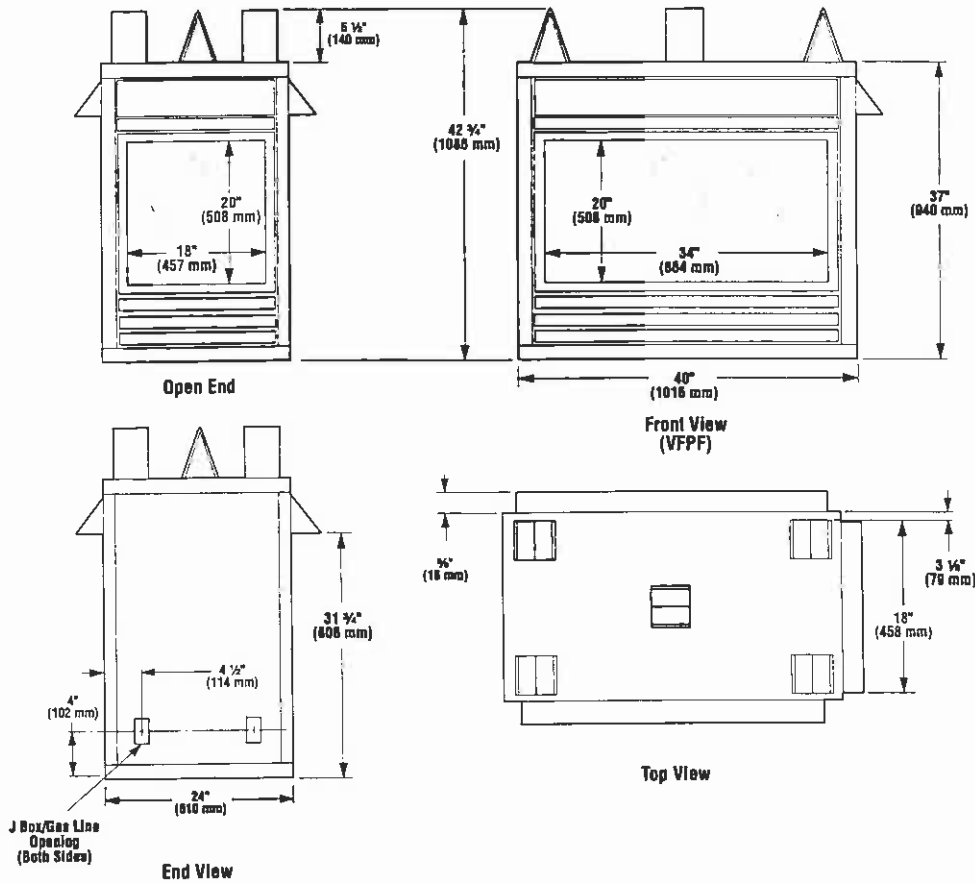


Figure 6

VFPF FRAMING SPECIFICATIONS

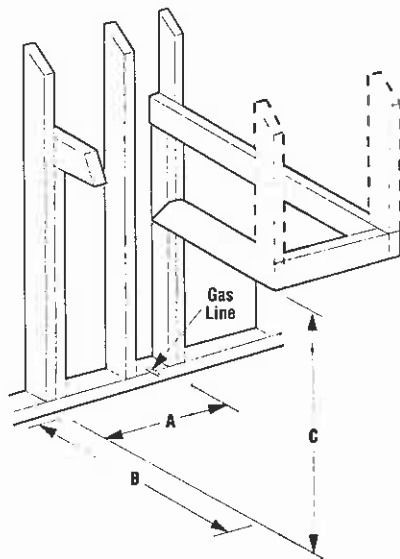


Figure 7

Framing Dimensions

A	22 3/4" (578 mm)*
B	40 1/8" (1016 mm) Min.
C	43" (1092 mm) Min.

*Note: Framing dimensions calculated for 5/8" drywall finish.

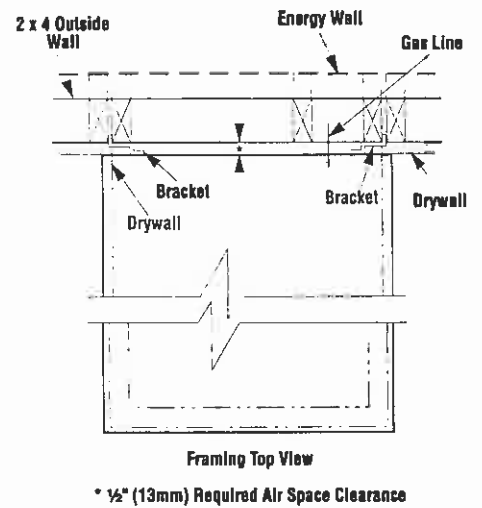


Figure 8

All appliances have a 3" long 3/8" NPT nipple installed at the valve. To quickly and easily complete the gas line routing, use the gas flex line kit, Model GFLV.

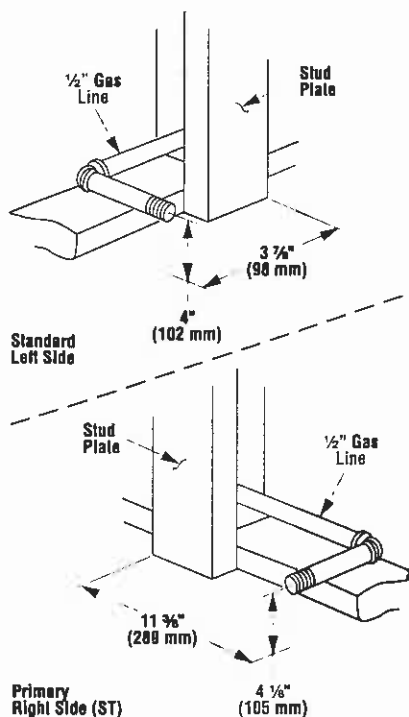


Figure 6

Step 3. Remove the nailing flanges from the lower control compartment and install in place with three (3) screws each. Align with the three holes on each side of the appliance (refer to Figure 5).

Install the hood on all units. Position the hood in the open area above the appliance door. Insert the tabs, on each end of the hood, into the bracket at each end. Bend the two tabs over to secure.

Step 4. Position appliance into prepared framing, secure with 6d nails at the nailing flange along each side.

Step 5. Connecting Gas Line – Make gas line connections. All codes require a shut-off valve mounted in the supply line. Figure 7 illustrates two methods for connecting the gas supply. Installation methods and materials must be in compliance with local codes.

The gas control valve is located in the lower control compartment. To access the valve open the lower control compartment door (Figure 8). The control valve has a 3/8" NPT thread inlet port and is fitted with a 3" (76 mm) long nipple, 3/8" NPT on both ends. Plan the connections accordingly.

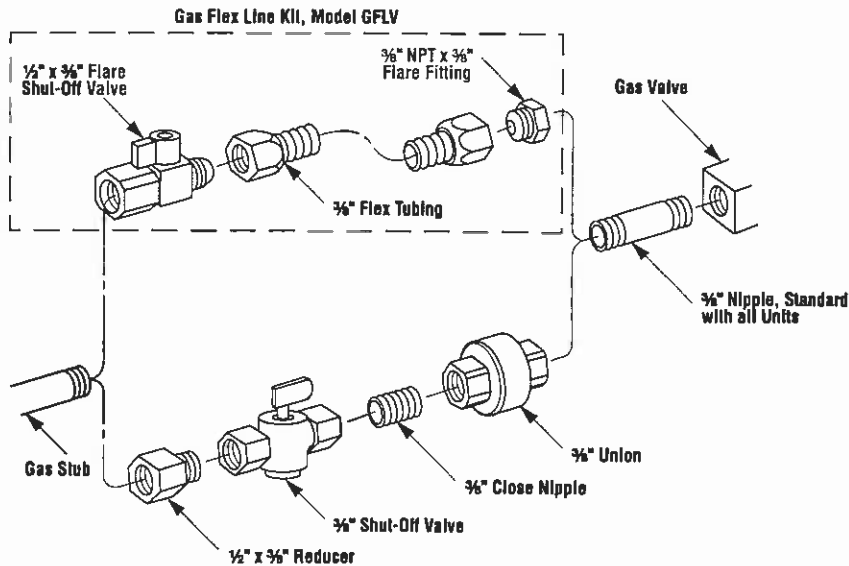


Figure 7

Route the gas line using techniques and materials prescribed by local and/or national codes. If the gas line must be routed from the left hand side (viewed from the gas controls), route the gas line around the valve and connect to the valve from the right hand side. The left hand gas line opening has been offset to allow for easy attachment of hard piping from the left hand side, when hard piping (black iron) is required by local codes. For ease in installation, the offset is designed to utilize (1) a 3/8" street elbow at the valve, replacing the nipple provided with the appliance and oriented to the rear, (2) a 6", 3/8" nipple and (3) a 3/8" standard elbow returning to the left and aligning with a gas line routed through the left hand opening.

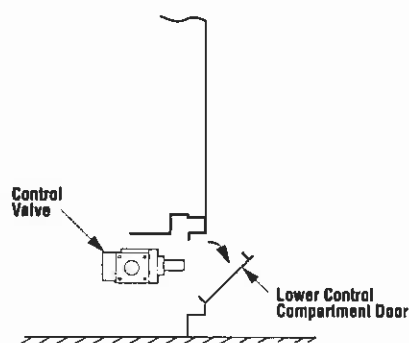


Figure 8

Secure all joints tightly using appropriate tools and sealing compounds (ensure propane resistant compounds are used in propane applications). Turn on gas supply and test for gas leaks using a soapy water solution. **Never use an open flame to check for leaks.**

A. Mix a 50% dish soap, 50% water solution.

B. Light the appliance (refer to safety and lighting instructions on page 15) (See *Note).

C. Brush all joints and connections with the soapy water solution to check for leaks. If bubbles are formed, or gas odor is detected, turn the gas control knob to the "OFF" position. Either tighten or refasten the leaking connection and retest as described above.

D. When the gas lines are tested and leak free, observe the individual tongues of flame on the burner. Make sure all ports are open and producing flame evenly across the burner. If any ports are blocked, or partially blocked, clean out the ports.

An external regulator must be used on all propane (L.P.G.) heaters, in addition to the regulator fitted to the heater, to reduce the supply tank pressure to 13" w.c. (maximum).

WARNING: CONNECTING DIRECTLY TO AN UNREGULATED PROPANE TANK CAN CAUSE AN EXPLOSION.

Step 6. Installing the Optional Remote Wall Switch – The standard millivolt system comes from the factory wired as shown in Figure 9. Select a convenient location for the remote wall switch and connect the wiring to the appliance (Figure 10).

CAUTION: DO NOT CONNECT THE OPTIONAL REMOTE SWITCH TO A 120V POWER SUPPLY.

Note: The optional rocker switch is mounted to the appliance and wired in the same way as the remote wall switch.

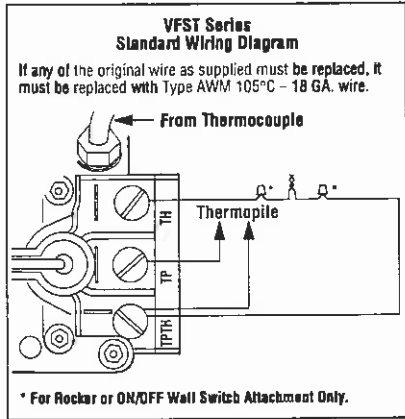


Figure 9

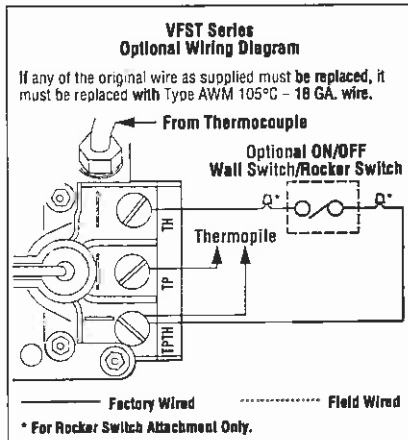


Figure 10

Step 7. Installing the Optional Forced Air Blower Kit Wiring – A receptacle plate is provided for the installation of the FAB-1100 forced air blower kit (optional). Electrical power must be provided to this plate to operate the blower.

Route a 3-wire, 120Vac power line with control switch to the lower left front corner of the appliance. Supply wires are to be connected to the outlet as shown in Figure 11, ensuring that the polarity (as determined by the colors of the wires) is exactly as shown. The black and red wire loop must be left intact, with the mating connectors connected.

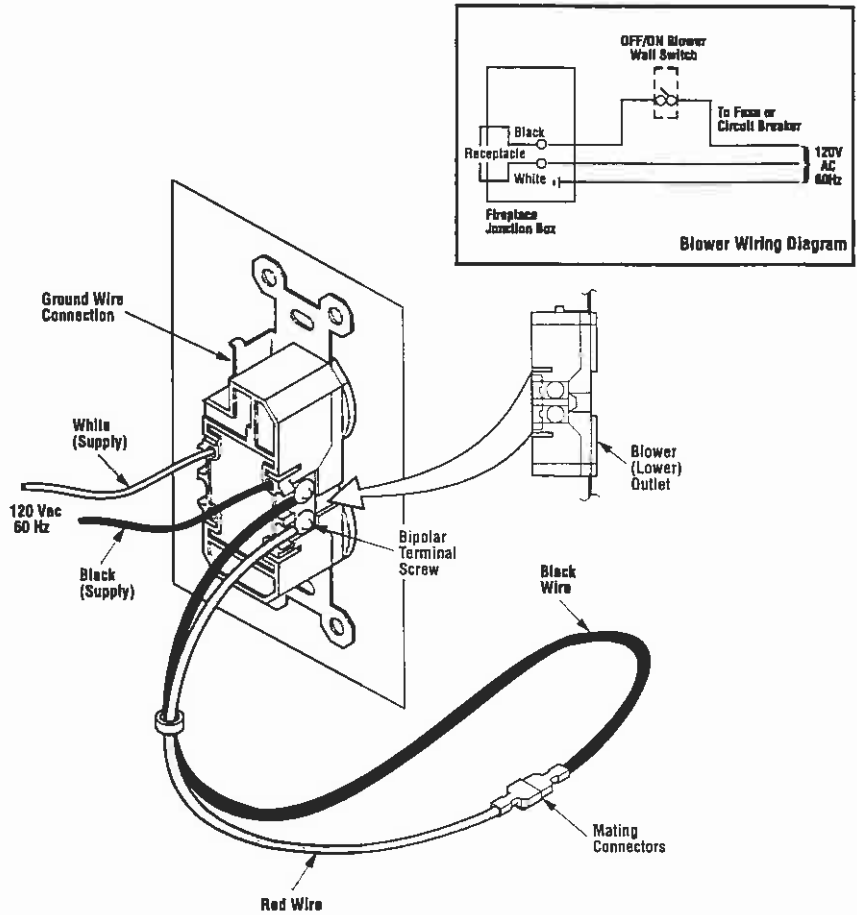


Figure 11

Note: Supply wires may be alternatively connected to the outlet using the screw terminals, however the black supply wire must be ganged wired to the same terminal that the pre-wired black wire is attached to and the white supply wire must be connected to the opposite side of the outlet.

IMPORTANT: Ground lead must be connected to the green screw located on the junction box cover plate. Failure to do so will prevent the appliance from operating. The appliance must be electrically grounded in accordance with local codes or, in the absence of local codes, the National Electrical Code, ANSI/NFPA 70-(latest edition). (In Canada, the current CSA C22-1 Canadian Electrical Code.)

The forced air blower kit may be mounted at initial appliance installation or at any time thereafter. Follow the instructions provided with the blower kit.

Finished Wall Details

It is sometimes best to frame the appliance after it has been positioned in place. Frame with 2 x 4s or heavier lumber. Always frame in accordance with local building codes.

Note: The header may rest on the top spacers but must not be notched to fit around them.

In order to install the appliance facing flush with the finished wall, position the framework to accommodate the thickness of the finished wall (Refer to Figures 2, 3 and 5).

If you live in a cold climate, seal all cracks around your appliance with noncombustible material and wherever cold air could enter the room. It is especially important to insulate outside chase cavity between studs and under floor on which appliance rests, if floor is above ground level.

Assembling the Logs

WARNING: DO NOT ADD EXTRA LOGS OR ORNAMENTS SUCH AS PINE CONES, VERMICULITE OR ROCK WOOL. USING THESE ADDED ITEMS CAN CAUSE SOOTING.

WARNING: DO NOT PLACE ANY LAVA ROCK ON LOGS OR BURNERS. THIS MAY CAUSE SOOTING.

Step 8. The heater includes a unitized set of ceramic fiber logs. The heater and logs are assembled as shown in *Figure 12*. Handle these logs with great care. The logs can be easily damaged, but when handled properly they can provide years of performance and enjoyment.

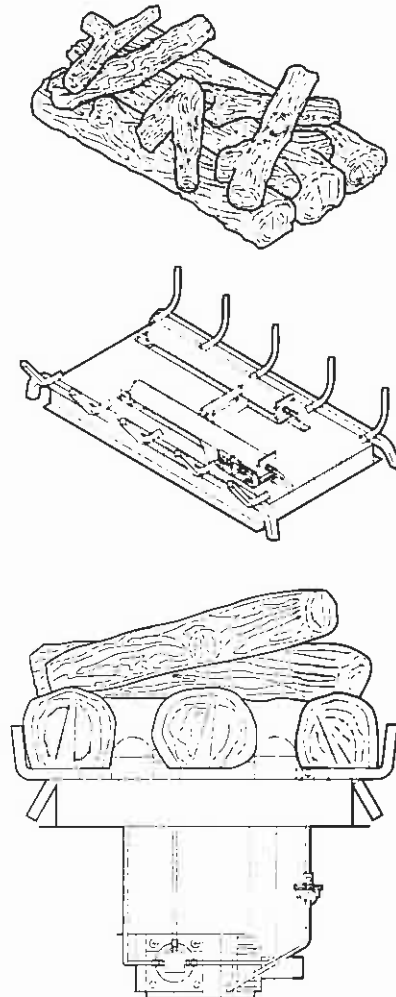


Figure 12

After setting the logs into position as described above, ensure they are properly and firmly situated. The heater will not function as intended if the logs are not correctly positioned.

Periodically check the positioning of the logs.

WARNING: FAILURE TO POSITION THE PARTS IN ACCORDANCE WITH THESE DIAGRAMS OR FAILURE TO USE ONLY PARTS SPECIFICALLY APPROVED WITH THIS HEATER MAY RESULT IN PROPERTY DAMAGE OR PERSONAL INJURY.

Flame Appearance

REFER TO THE OPERATING INSTRUCTIONS LOCATED AT THE BACK OF THIS MANUAL BEFORE LIGHTING THE HEATER TO OBSERVE THE FLAMES.

Flames from the pilot, front and rear burner should be visually checked as soon as the heater is installed. In addition a periodic visual check of the flames should be made. The pilot flame should always be present when the heater is in operation and should just envelope the tip of the thermocouple (*Figure 13*).

WARNING: NO ADJUSTMENTS ARE TO BE MADE TO THE ODS PILOT SYSTEM. TAMPERING WITH THIS SYSTEM CAN BE EXTREMELY HAZARDOUS.

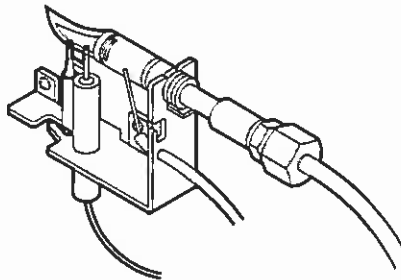


Figure 13

An incorrect pilot flame is shown in *Figure 14*. This pilot flame will cause the thermocouple to cool. When the thermocouple cools, the heater will shut off. If pilot flame pattern is incorrect, or if heater shuts off, contact your service representative.

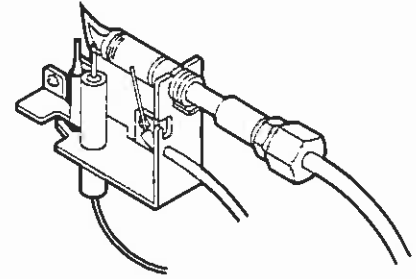


Figure 14

In normal operation, at full rate, after 15 minutes the following flame appearance should be observed:

Burner Flame Characteristics – The flames should be yellow. The flames should extend about 3 – 4" above the logs for natural gas and 2 – 3" above for propane (L.P.G.) gas (*Figure 15*).

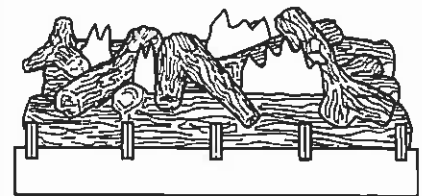


Figure 15

Appliance Operation

WARNING: THE LOWER CONTROL COMPARTMENT AREA AND LOWER CONTROL COMPARTMENT ACCESS DOOR ARE EXTREMELY HOT WHEN THE APPLIANCE IS IN OPERATION. EXERCISE EXTREME CARE WHEN ACCESSING THIS AREA. TOUCH ONLY THE FAR ENDS OF THE LOWER CONTROL COMPARTMENT DOOR WHEN OPENING WHILE THE APPLIANCE IS HOT.

Step 9. Checking the System – With gas line installed run initial system checkout before closing up the front of the unit. Follow the pilot lighting instructions on page 15.

Note: Instructions are also found on the pull out panel located on the bottom surface of the appliance.

When first lighting the appliance, it will take a few minutes for the line to purge itself of air. Once purging is complete, the pilot and burner will light and operate as indicated in the instruction manual. Subsequent lightings of the appliance will not require such purging. Inspect the pilot flame (remove logs, if necessary, handling carefully).

The pilot flame should be steady, not lifting or floating. Flame should be blue in color with traces of orange at the outer edge.

The top $\frac{3}{8}$ " (10 mm) at the pilot generator (thermocouple) should be engulfed in the pilot flame (NG only).

Replace logs if removed for pilot inspection.

To light the burner; turn "ON" the optional remote wall switch (if installed) and rotate the gas valve control knob counterclockwise to the "ON" position.

Step 10. Installing the Screen Panel Assembly – Retrieve the screen door frame. Position the door frame in front of the firebox opening in the brackets at the base of the fireplace front opening. Lean the door frame back towards the fireplace ensuring that the frame seats evenly as it draws shut.

Install the three (3) $\frac{1}{4}$ "-20 x 1" Phillips pan head screws removed previously and tighten to secure.

Installing the Optional Glass Door

Position the door frame in front of the firebox opening, with the joint in the gasket down. Locate the three (3) tabs at the bottom edge of the door frame into the three (3) brackets at the base of the fireplace front opening. Lean the door frame back towards the fireplace ensuring that the frame seats evenly as it draws shut.

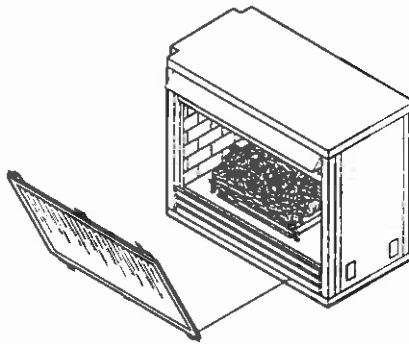


Figure 16

OPTIONAL EQUIPMENT

An incomparable package of options are available for use with these appliances. These options can both customize the operation of these unique appliances and enhance their beauty and charming appeal. All options are available in kit form, are easy to install and are packaged complete with all required parts and instructions. Some of the option kits need to be fitted prior to completing the installation of the appliance. The following paragraphs detail the kit options available for use with the appliances covered in this manual.

These outstanding optional items can be added individually or in sets of two or more to customize your vent-free appliance to fit your homes unique needs.

The appliances covered in this manual are heaters rated and produce a great deal of heat. Decorative brass trim pieces and hoods may tarnish because of their proximity to the heater opening and front face. Tarnishing of these pieces is normal, unavoidable and should be expected.

Forced Air Kit

The FAB-1100 assembly provides a forced air circulation feature for your appliance. This kit mounts directly into the lower intake chamber with an electrical connection made at the receptacle provided. The appliance must have an independent 120Vac power line incorporated at the time of installation. Refer to Step 6 of the installation instructions supplied with the forced air kit (Figures 17 and 18).

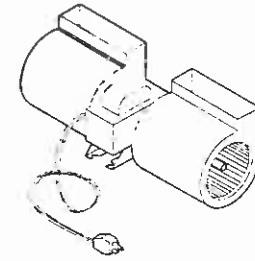


Figure 17

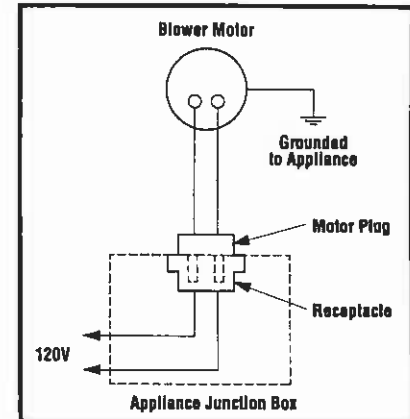


Figure 18

Remote Control Kit

The Model RCK adds the convenience of remote control for your appliance. The kit includes a wireless, hand held transmitter and a receiver that replaces the wall switch. This special receiver permits either manual or remote control modes. Both receiver and transmitter operate on standard 9 volt batteries (not included). Refer to the RCK installation instruction for specific details.

Wall Switch Kit

An optional wall switch kit can be installed along with all vent-free appliances. The kit consists of a standard UL wall switch with cover plate. This kit provides for remote (wall) operation of the appliance. Replace the wall switch and cover plate of this kit with the components of the RCK and you can have true remote control of your vent-free appliance, turning it on and off from your favorite easy chair. The wall switch kit should be installed along with the appliance. Refer to Figure 10 and Step 6 for detailed installation instructions.

Solid Brass Hood Kit

An attractive solid brass hood kit is available for use with these VF appliances. The brass hood kit is designed to be fitted to your appliance above the door. In addition to providing an aesthetically pleasing appearance to your appliance installation, the hood reduces heat effects to decorative mantles and finish materials located directly above the fireplace opening. The hood kit includes the necessary attaching hardware. This kit can be retrofitted to previously installed appliances.

Solid Brass Louver Kit

Solid brass louvers are available for use with these appliances. These louvers are designed to replace the standard black louvers that are provided with the appliance. The brass louver kit includes three (3) louvers that simply snap into place. They provide a touch of elegance to the VF appliance. This kit can be retrofitted to previously installed appliances.

Optional on Unit Rocker Switch

An optional rocker switch kit can be installed directly on all VFST series appliances to provide for On and Off operation in lieu of a wall switch. This kit is designed to install in the lower control compartment out of view and is perfect for use in high volume areas such as lobbies and model homes where limited access to the appliance On/Off switch is desirable. This kit can be retrofitted to previously installed appliances and may be temporarily installed in place of other switch circuitry.

Wall Thermostat Kit

A wall thermostat kit is available for use with these appliances. The wall thermostat is designed to be wired directly to the appliance millivolt gas control circuit and provide automatic On/Off control of the appliance to maintain a desired temperature within the room.

Solid Brass Hood Kit

An attractive solid brass hood kit is available for use with these VF appliances. The brass hood kit is designed to be fitted to your appliance above the door. In addition to providing an aesthetically pleasing appearance to your appliance installation, the hood reduces heat effects to decorative mantles and finish materials located directly above the fireplace opening. The hood kit includes the necessary attaching hardware. This kit can be retrofitted to previously installed appliances.

Square Trim Kit

A square trim kit is available for the VFST Series. This kit is easy to install and does not require hardware to attach it as designed, directly to the standard door frame. The four piece square trim kit can be installed without the bottom or bottom and side pieces to customize the look of our appliance. This kit can be retrofitted to previously installed appliances.

Decorative Volcanic Stone

The decorative volcanic stone, Model DVS, can be used to enhance the look of your appliance. Spread the decorative volcanic stone evenly around the bottom of the firebox.

Brass Square Surround Kit

A decorative brass square surround kit is available for use with these appliances. The BSK-6 is designed to attach directly to the front face of the appliance at its extreme edges. The BSK-6 provides a picture frame finish for the appliance 2 1/2" wide. The brass square surround kit can be retrofitted onto previously installed appliances.

Screen Panel Kit

An optional screen panel can be installed on the VFST door. This screen panel is easy to install using the provided hardware. The screen panel can be installed with both ceramic and tempered glass in the door. This kit can be retrofitted to previously installed VFST appliances. The screen panel kit can not be used in conjunction with either of the decorative arch kits.

Decorative Arch Kits

Two arch kits are available for the VFST Series. A one-piece complete door arch kit and a four-piece arch frame kit. Both kits are easy to install and do not require hardware to attach them to the standard door frame. The four-piece arch frame kit can be installed without the bottom or bottom and side pieces to customize the look of your appliance. These kits can be retrofitted to previously installed VFST Series appliances. The decorative arch kits can not be used in conjunction with the screen panel kit.

Glass Door Kit

The VF6BDK Glass Door can be installed in pairs on the appliance in place of the standard screen panels. The glass doors add beauty and protection for your appliance. Glass doors prevent cross drafts that may cause unwanted flame impingement on the logs.

Gas Flex Line with Valve

A gas flex line kit is available to aid in attaching the appliance to the gas supply. This kit can only be used where local codes permit. The kit includes a 1/2" NPT to 3/8" flare in line shut-off valve, a 12" flex line 3/8" female flare through and a 3/8" flare to 3/8" NPT fitting. The components of this kit are rated for both natural and propane gas. This kit is designed to be used as an aid in installing the appliance.

WARNING: CHILDREN AND ADULTS SHOULD BE ALERTED TO THE HAZARDS OF HIGH SURFACE TEMPERATURES. USE CAUTION AROUND THE APPLIANCE TO AVOID BURNS OR CLOTHING IGNITION. YOUNG CHILDREN SHOULD BE SUPERVISED WHEN THEY ARE IN THE SAME ROOM AS THE APPLIANCE.

OPERATION AND CARE OF YOUR APPLIANCE

1. Appliance operation may be controlled through the optional ON/OFF unit rocker switch, located in the lower control compartment, or through a remotely located optional wall switch or wall thermostat. Separate switches may provide independent control for the forced air blower and remote fireplace operation (optional equipment).

2. These heater rated units are equipped with a two stage (HI, LOW) gas control valve. To cycle the burner between the HI and LOW settings, rotate the control knob, located in the center of the valve front face, clockwise and counterclockwise respectively.

3. When lit for the first time, the appliance will emit a slight odor for an hour or two. This is due to the "burn-in" of the internal paints and lubricants used in the manufacturing process. Additionally, when lit for the first time, this appliance may produce smoke, this is normal and should be expected. For the first few hours, operate the appliance with doors and windows open to encourage the dissipation of smoke and fumes.

4. Upon each lighting of the appliance, condensation may occur and fog the inside of the glass panel. This condition will disappear shortly as the appliance heats.

5. Keep lower control compartment clean by vacuuming or brushing at least twice a year. More frequent cleanings may be required due to excessive lint from carpeting, bedding materials, etc. It is important that the control compartments, burners and circulating air passageways of the heater be kept clean.

6. Always turn off gas to pilot before cleaning. Before relighting, refer to the lighting instructions in this manual. Instructions are also found on a pull-out panel located on the floor of the appliance.

7. Always keep the appliance area clear and free from combustible materials, gasoline and other flammable liquids.

8. Remember, this appliance has a continuous burning pilot flame. Exercise caution when using products with combustible vapors.

CLEANING AND SERVICING

WARNING: TURN OFF THE UNVENTED GAS ROOM HEATER AND ALLOW TO COOL BEFORE CLEANING.

Only limited cleaning will be required under the normal use of the heater. Dust the front grate, the top of the piezo cover and the control knob occasionally. Do not use cleaning fluids to clean the logs or any other part of the room heater.

Remove the log assembly, gently handling by holding each log at each end. Use a vacuum cleaner to remove loose particles from the base and from around the burners. Gloves are recommended to prevent the fibers from pricking your skin. If the skin is pricked, wash gently with soap and water. Replace the logs as detailed in Step 8 Assembling the Logs.

If, after a period of use, the flames start to exhibit unusual shapes and behavior, or the burners fail to ignite smoothly, then the burner holes may require some cleaning. If this happens, it is preferable to contact your nearest dealer to get the appliance serviced.

REPLACEMENT PARTS

An exploded view of the room heater with numbered parts and a parts list can be found on page 19. All parts should be ordered through your Superior distributor or dealer. Parts will be shipped at prevailing prices at time of order.

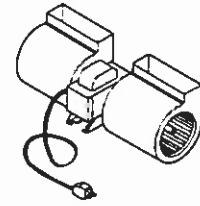
When ordering repair parts, always give the following information:

1. The model number of the heater.
2. The serial number of the heater.
3. The part number.
4. The description of the part.
5. The quantity required.
6. The installation date of the heater.

If you encounter any problems or have any questions concerning the installation of this heater, please contact your distributor. For the name of your nearest distributor contact:

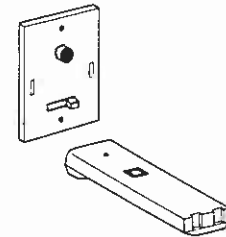
SFC
1110 West Taft Avenue
Orange, CA 92865

ACCESSORIES AND COMPONENTS



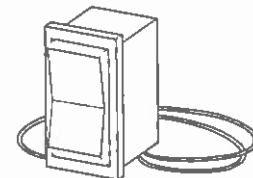
Forced Air Kit

FAB-1100



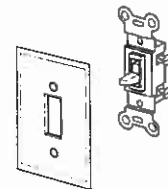
Remote Control Kit

RCK



Rocker Switch Kit

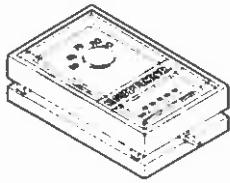
RS



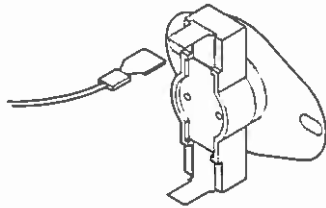
Wall Switch Kit

WSK

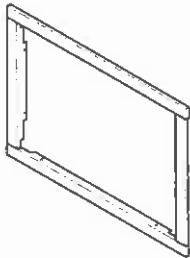
ACCESSORIES AND COMPONENTS



Thermostat **WTK**

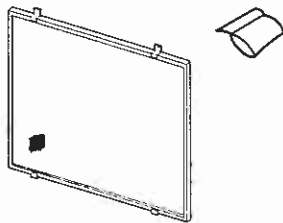


Blower Thermal Sensor **BTS-B-12**

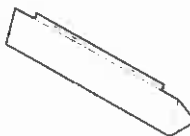


Brass Surround Kit
-Main Panel **BSK-6**
-End Panel **BSEK-6**

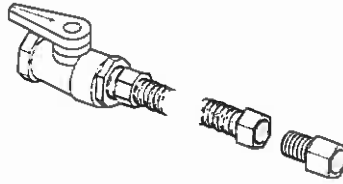
Note: May not be used in conjunction with the DAT-6-1 or DAT-6-4.



Screen Panel Kit **SPK-6**

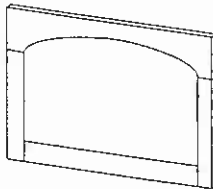


Black End hood **VF6-BH-End**



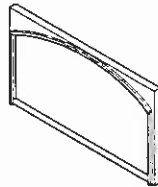
Gas Flex Line Kit **GFLV**

Note: Model DAT-6-4 may not be used in conjunction with Model SPK-6.

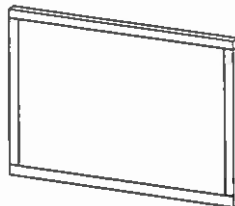


4-Piece Decorative Arch Frame Kit
-Main Panel **DAT-6-4**
-End Panel **DAET-6-4**

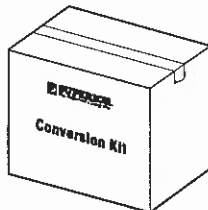
Note: Model DAT-6-1 may not be used in conjunction with Model SPK-6. May only be used in conjunction with VF6-GDK glass doors.



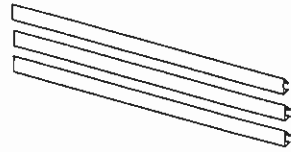
1-Piece Decorative Arch Frame Kit
-Main Panel **DAT-6-1**
-End Panel **DAET-6-1**



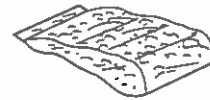
Square Trim Kit
-Main Panel **STK-6-4**
-End Panel **STEK-6-4**



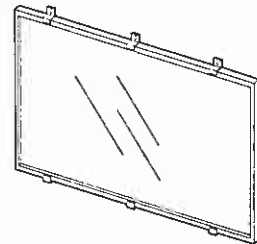
ST-PF Conversion Kit **ST-PF CK**



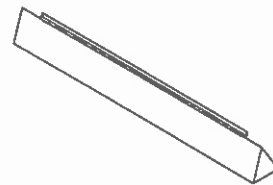
Brass Louvers
-Main Panel **VF6-BRLK**
-End Panel **VF6-BRLEK**



Decorative Volcanic Stone **DVS**



Glass Door Panel
-Main Panel **VF6-GDK**
-End Panel **VF6-GDK-End**



Brass Hood Kit
-Main Panel **VF6-PBH**
-End Panel **VF6-PBH-End**



PF-ST Conversion Kit **PF-ST CK**

NOTE: DIAGRAMS & ILLUSTRATION NOT TO SCALE.

TROUBLESHOOTING GUIDE FOR UNVENTED GAS PRODUCTS

OBSERVED PROBLEM	POSSIBLE CAUSE	REMEDY
1. When igniter button is pressed, there is no spark at ODS/pilot.	A. Igniter electrode positioned wrong	Replace igniter.
	B. Igniter electrode broken.	Replace igniter.
	C. Igniter electrode not connected to igniter cable.	Reconnect igniter cable.
	D. Igniter cable pinched or wet.	Free igniter cable if pinched by any metal or tubing. Keep igniter cable dry.
	E. Piezo igniter nut is loose.	Tighten nut.
	F. Broken igniter cable.	Replace igniter cable.
	G. Bad piezo igniter.	Replace piezo igniter.
2. Heater produces unwanted odors.	A. Heater burning vapors from paint, hair spray, glues, etc.	Ventilate room. Stop using odor-causing products while fireplace is running.
	B. Gas leak. See Warning statement on the front page.	Locate and correct all leaks.
3. Heater shuts off in use (ODS operates).	A. Not enough fresh air is available.	Open window and/or door for ventilation.
	B. Low line pressure.	Contact local gas company.
	C. ODS/pilot is partially clogged.	Clean ODS/pilot.
4. Gas odor even when control knob is in "OFF" position.	A. Gas leak. See Warning statement on the front page.	Locate and correct all leaks (see Checking Gas Connections, page 7).
	B. Control valve defective.	Replace control valve.
5. When igniter button is pressed, there is spark at ODS/pilot, but no ignition.	A. Gas supply turned off or manual shut-off valve closed.	Turn on gas supply or open manual shut-off valve.
	B. Control knob not in "PILOT" position.	Turn control knob to pilot position.
	C. Control knob not pressed in while in "PILOT" position.	Press in control knob while in pilot position.
	D. Air in gas lines when installed.	Continue holding down control knob. Repeat igniting operation until air is removed.
	E. ODS/pilot is clogged.	Replace ODS/pilot assembly or get it serviced.
	F. Gas regulator setting is not correct.	Replace gas regulator.
6. ODS/pilot lights, but flame goes out when control knob is released.	A. Control knob not fully pressed in.	Press in control knob fully.
	B. Control knob not pressed in long enough.	After ODS/pilot lights, keep control knob pressed in 30 seconds.
	C. Manual shut-off valve not fully open.	Fully open manual shut-off valve.
	D. Thermocouple connection loose at control valve.	Hand tighten until snug, then tighten ¼ turn more.
	E. Pilot flame not touching thermocouple, which allows thermocouple to cool, causing pilot flame to go out. This problem could be caused by one or both of the following: 1). Low gas pressure 2). Dirty or partially clogged ODS/pilot	1). Contact local gas company. 2). Replace ODS/pilot assembly or get pilot serviced.
	F. Thermocouple damaged.	Replace thermocouple.
	G. Control valve damaged.	Replace control valve.
7. Burner does not light after ODS/pilot is lit.	A. Burner orifice is clogged.	Clean burner or replace burner orifice.
	B. Burner orifice diameter is too small.	Replace burner orifice.
	C. Inlet gas pressure is too low.	Contact local gas company.
8. Delayed ignition of burner.	A. Manifold pressure is too low.	Contact local gas company.
	B. Burner orifice is clogged.	Clean burner or replace burner orifice.
9. Burner backfiring during combustion.	A. Burner orifice is clogged or damaged.	Clean burner or replace burner orifice.
	B. Burner damaged.	Replace burner.
	C. Gas regulator defective.	Replace gas regulator.
10. Slight smoke or odor during initial operation.	A. Vapors from paint or curing process of logs.	Problem will stop after a few hours of operation. SFC recommends running the heater with excess ventilation for the first few hours.
11. Heater produces a whistling noise when burner is lit.	A. Turning control knob to "HI" position when burner is cold.	Turn control knob to "LO" position and let warm up for a minute.
	B. Air in gas line.	Operate burner until air is removed from line. Have gas line checked by local gas company.
	C. Dirty or partially clogged burner orifice.	Clean burner or replace burner orifice.




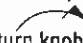
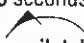
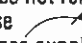
OPERATING INSTRUCTIONS

FOR YOUR SAFETY READ BEFORE LIGHTING


WARNING: IF YOU DO NOT FOLLOW THESE INSTRUCTIONS EXACTLY, A FIRE OR EXPLOSION MAY RESULT CAUSING PROPERTY DAMAGE, PERSONAL INJURY OR LOSS OF LIFE.

- A.** This heater has a pilot which must be lit by hand. When lighting the pilot, follow these instructions exactly.
- B. BEFORE OPERATING** smell all around the heater area for gas. Be sure to smell next to the floor because some gas is heavier than air and will settle on the floor.
- WHAT TO DO IF YOU SMELL GAS**
- Do not try to light any appliance.
 - Do not touch any electric switch; do not use any phone in your building.
 - Immediately call your gas supplier from a neighbor's phone. Follow the gas supplier's instructions.
 - If you cannot reach your gas supplier, call the fire department.
- C.** Use only your hand to push in or turn the gas control knob. Never use tools. If the knob will not push in or turn by hand, do not try to repair it, call a qualified service technician. Forced or attempted repair may result in a fire or explosion.
- D.** Do not use this heater if any part has been under water. Immediately call a qualified service technician to inspect the appliance and to replace any part of the control system and any gas control which has been under water.


LIGHTING INSTRUCTIONS

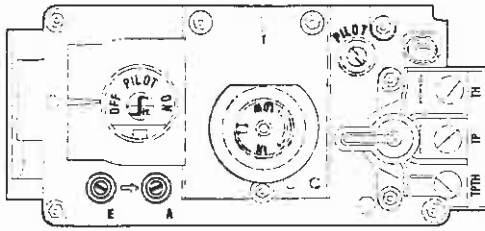
1. Stop! Read the safety information above.
 2. Make sure manual shut-off valve is fully open.
 3. Locate gas control knob and piezo.
 4. Depress control knob in and turn clockwise  to the "OFF" position (Figure 18).
 5. Wait 5 minutes to clear out any gas. Then smell for gas, including near the floor. If you smell gas, **STOP!** Follow "B" in the safety information above. If you do not smell gas, go to the next step.
 6. The pilot is located on the right side in front of the burner (Figure 19).
 7. Depress control knob in and turn counterclockwise  to the "PILOT" position (Figure 20). Press the control knob all the way in for 5 seconds.
- Note: If you are running the heater for the first time it will be necessary to press the control knob all the way in for 30 seconds to allow air to bleed out of the gas piping.*
8. With the control knob pressed in, push in and release the piezo igniter button to light the pilot.
 9. Hold the control knob in for a further 10 seconds to prevent the flame failure detector from shutting off the gas while the probe is warming up.
 10. Release the control knob while turning counterclockwise  to the "ON" Position (Figure 21). Then adjust "HI-LO" knob to preferred setting.
 - If the knob does not pop out when released, stop and immediately call your service technician or gas supplier.
 - If the pilot will not stay lit after several tries, depress and turn the gas control knob clockwise  to "OFF" and wait 30 seconds. Depress and turn knob counterclockwise  to "ON" and press igniter button again. If your pilot does not relight depress and turn control knob clockwise  to "OFF" and call your service technician or gas supplier.
 11. Wait 30 seconds before readjusting the heater when the control knob has been turned down to a lower setting.

TO TURN OFF GAS TO HEATER

1. Depress and turn control knob clockwise  to the "OFF" position (Figure 18).

MANUAL MATCH LIGHTING PROCEDURE — EMERGENCY ONLY

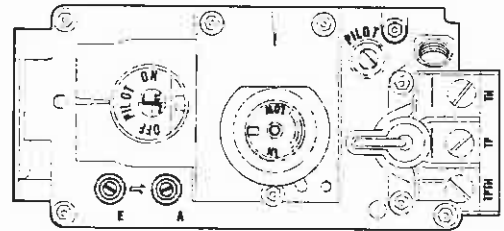
1. If the pilot cannot be lit with the piezo igniter, the heater can be manually lit with a match.
2. With the right hand, depress and turn the control knob counterclockwise  to the "ON" position. Hold in the knob.
3. Light the match and hold the flame to the end of the pilot and ignite the pilot.
4. Continue to hold control knob for an additional 10 seconds to insure pilot remains lit.
5. Release the control while turning control knob to desired setting.



Note: Knob cannot be turned from "PILOT" to "OFF" unless the knob is pushed in slightly. Do not force.

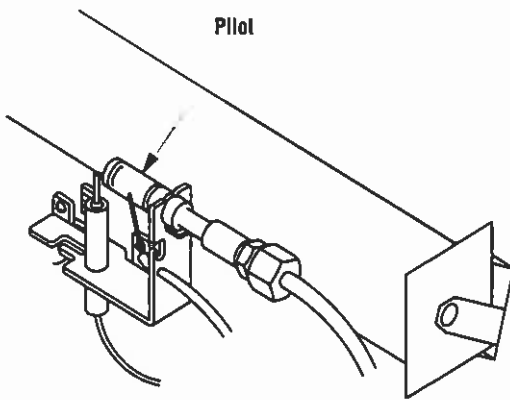
Turn Control Knob to "OFF" Position

Figure 18



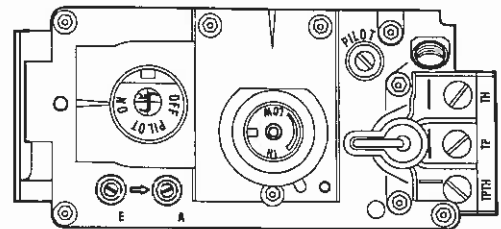
Turn Control Knob to "PILOT" Position

Figure 20



Pilot Location

Figure 19



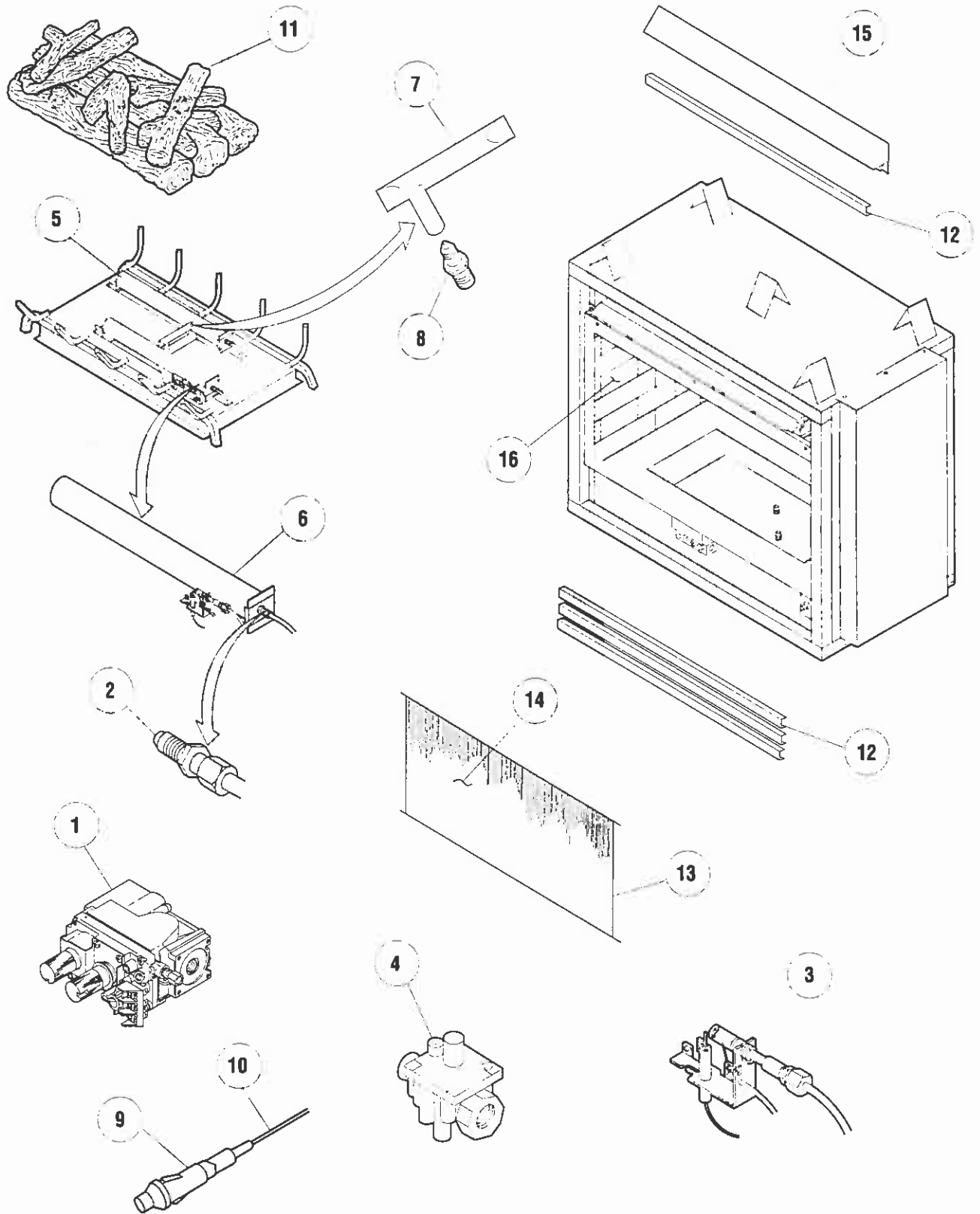
Turn Control Knob to "ON" Position

Figure 21

VFST REPLACEMENT PARTS LIST

No.	Description	VFST-CMN		VFST-CMP	
		Part No.	Qty.	Part No.	Qty.
1.	Valve - Millivolt	903489	1	901917	1
2.	Injector, Burner	110389	2	110384	2
3.	Pilot	110344	1	901915	1
4.	Regulator, Pilot	903218	1	112081	1
5.	Burner	112281	1	112281	1
6.	Burner, Pilot Side	112291	1	112291	1
7.	Crossover Burner	110321	1	110321	1
8.	Injector, Crossover Burner	110387	1	110388	1
9.	Piezo	111061	1	111061	1
10.	Piezo Wire	110361	1	110361	1
11.	Log Set	112451	1	112451	1
12.	Bar, Louver - (Black)	104951	8	104951	8
13.	Two Piece Screen Panel W/Rods	121643	2	121643	2
14.	Replacement Screen	903504	1	903504	1
15.	Hood - (Black)	108971	2	108971	2
16.	Refractory Liner	903216	2	903216	2

REPLACEMENT PARTS - VFST

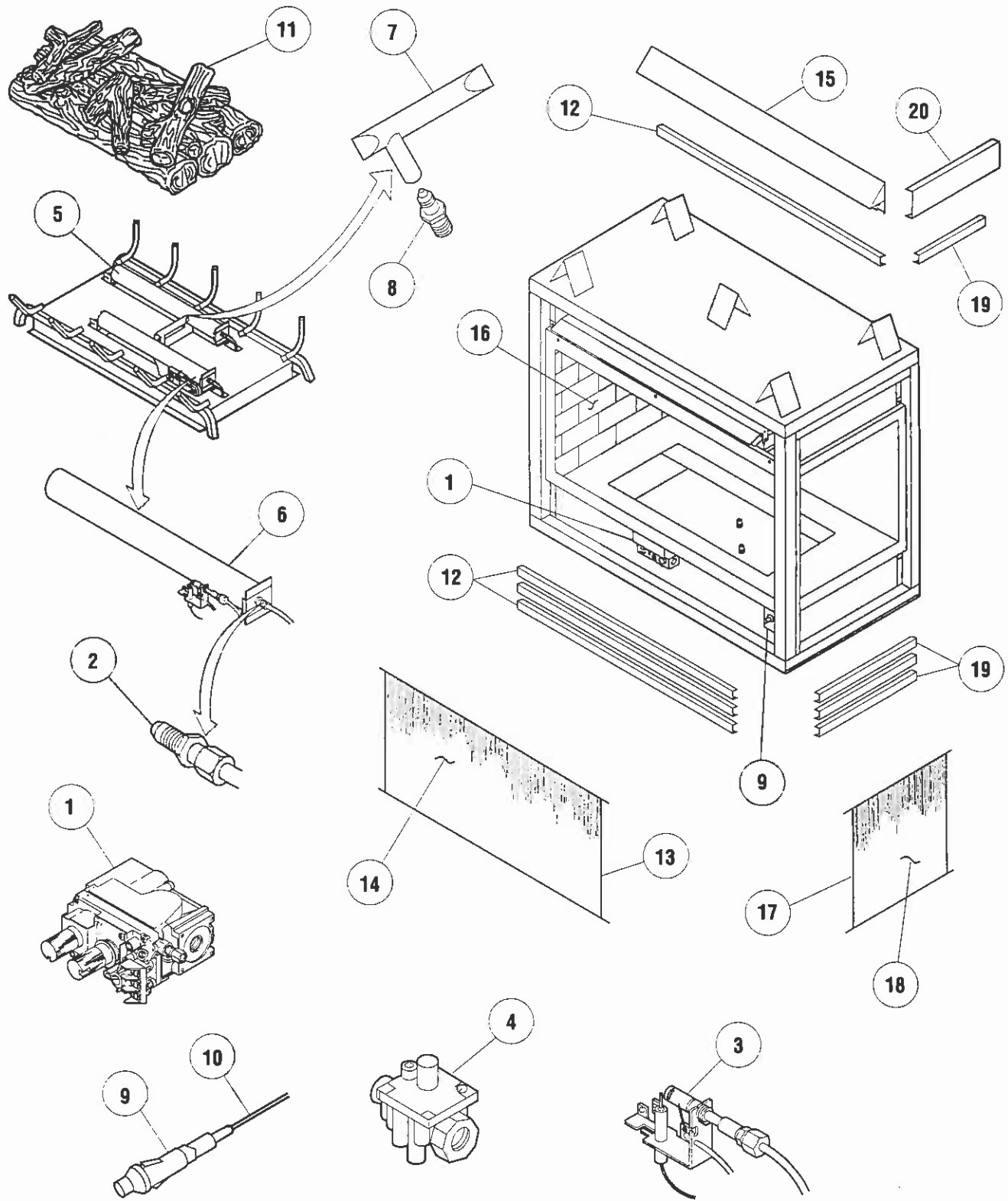


NOTE: DIAGRAMS & ILLUSTRATION NOT TO SCALE

VFPF REPLACEMENT PARTS LIST

No.	Description	VFPF-CMN		VFPF-CMP	
		Part No.	Qty.	Part No.	Qty.
1.	Valve - Millivolt	903489	1	901917	1
2.	Injector, Burner	110389	2	110384	2
3.	Pilot	110344	1	901915	1
4.	Regulator, Pilot	903218	1	112081	1
5.	Burner	112281	1	112281	1
6.	Burner, Pilot - Side	112291	1	112291	1
7.	Crossover Burner	110321	1	110321	1
8.	Injector, Crossover Burner	110387	1	110388	1
9.	Piezo	111061	1	111061	1
10.	Piezo Wire	110361	1	110361	1
11.	Log Sel	112451	1	112451	1
12.	Bar, Louver - (Black) - Main Panel	104951	8	104951	8
13.	Two Piece Screen Panel W/Rods - Main Panel	121643	2	121643	2
14.	Replacement Screen - Main Panel	903504	1	903504	1
15.	Hood (Black) - Main Panel	108971	2	108971	2
16.	Refractory Liner	903216	1	903216	1
17.	Two Piece Screen Panel W/Rods - End	121644	1	121644	1
18.	Replacement Screen - End	113511	1	113511	1
19.	Bar, Louver (Black) - End	104955	4	104955	4
20.	Flat Face Louver	104613	1	104613	1

REPLACEMENT PARTS - VFPP



NOTE: DIAGRAMS & ILLUSTRATION NOT TO SCALE.

Unvented Gas Room Heater Limited Warranty 1 Year

THE WARRANTY

SFC warrants this Unvented Gas Room Heater to be free from defects in materials and workmanship at the time of manufacture.

REMEDY AND EXCLUSIONS

The coverage of this Warranty is limited to all components of the Unvented Gas Room Heater supplied by SFC.

This Warranty only covers SFC Unvented Gas Room Heaters installed in the United States or Canada.

If the Unvented Gas Room Heater covered by this Warranty is found to be defective within one year from the date of installation (see SFC's right of investigation outlined below), SFC will, at its option, replace or repair defective components of the Unvented Gas Room Heater supplied by SFC at no charge and will also pay for reasonable labor costs incurred in replacing or repairing such components. If repair or replacement is not commercially practical, SFC will, at its option, refund the purchase price of the SFC Unvented Gas Room Heater.

This Warranty covers only parts and labor as provided above. In no case shall SFC be responsible for materials, components, or construction which are not manufactured or supplied by SFC, or for the labor necessary to install, repair, or remove such materials, components or construction. All replacement or repair components will be shipped F.O.B. the nearest Superior Fireplace Company factory.

QUALIFICATIONS TO THE WARRANTY

The Unvented Gas Room Heater Warranty outlined above is further subject to the following qualifications:

- (1) The Unvented Gas Room Heater must be installed in accordance with SFC installation instructions and local building codes. The Warranty on this SFC Unvented Gas Room Heater covers only the component parts supplied by SFC. The use of components manufactured by others with this SFC Unvented Gas Room Heater could create serious safety hazards, may result in the denial of certification by recognized national safety agencies, and could be in violation of local building codes. This Warranty does not cover any damages occurring from the use of any components not manufactured or supplied by SFC.
- (2) The SFC Unvented Gas Room Heater must be subjected to normal use. The Unvented Gas Room Heaters are designed to burn either natural or propane gas only. Burning conventional fireplace fuels such as wood, coal, or any other solid fuel will cause damage to the Unvented Gas Room Heater, will produce unsafe levels of carbon monoxide and will result in a fire hazard.

LIMITATION ON LIABILITY

It is expressly agreed and understood that SFC's sole obligation and purchaser's exclusive remedy under this warranty, under any other warranty, expressed or implied, or in contract, tort or otherwise, shall be limited to replacement, repair, or refund, as specified above.

In no event shall SFC be responsible for any incidental or consequential damages caused by defects in its products, whether such damage occurs or is discovered before or after replacement or repair, and whether or not such damage is caused by SFC's negligence. Some states do not allow the exclusion or limitation of incidental or consequential damages, so the above limitation or exclusion may not apply to you. The duration of any implied warranty with respect to this SFC Unvented Gas Room Heater is limited to the duration of the foregoing warranty. Some states do not allow limitations on how long an implied warranty lasts, so the above may not apply to you.

INVESTIGATION OF CLAIMS AGAINST WARRANTY

SFC reserves the right to investigate any and all claims against this Warranty and to decide upon method of settlement.

SFC NOT RESPONSIBLE FOR WORK DONE WITHOUT WRITTEN CONSENT

SFC shall in no event be responsible for any warranty work done without first obtaining SFC's written consent.

DEALERS HAVE NO AUTHORITY TO ALTER THIS WARRANTY

SFC's employees and dealers have no authority to make any warranties nor to authorize any remedies in addition to or inconsistent with those stated above.

HOW TO REGISTER A CLAIM AGAINST WARRANTY

In order for any claim under this Warranty to be valid, SFC must be notified of the claimed defect in writing to SFC, attention Customer Service Department, 1110 West Taft Avenue, Orange, California 92665, as soon as reasonably possible after the defect is discovered. Claims against the Warranty in writing should include the date of installation, product serial number and a description of the defect.

OTHER RIGHTS

This Warranty gives you specific legal rights, and you may also have other rights which vary from state to state.

SFC reserves the right to make changes at any time, without notice, in design, materials, specifications, prices and also to discontinue colors, styles and products. Consult your local distributor for fireplace code information.