

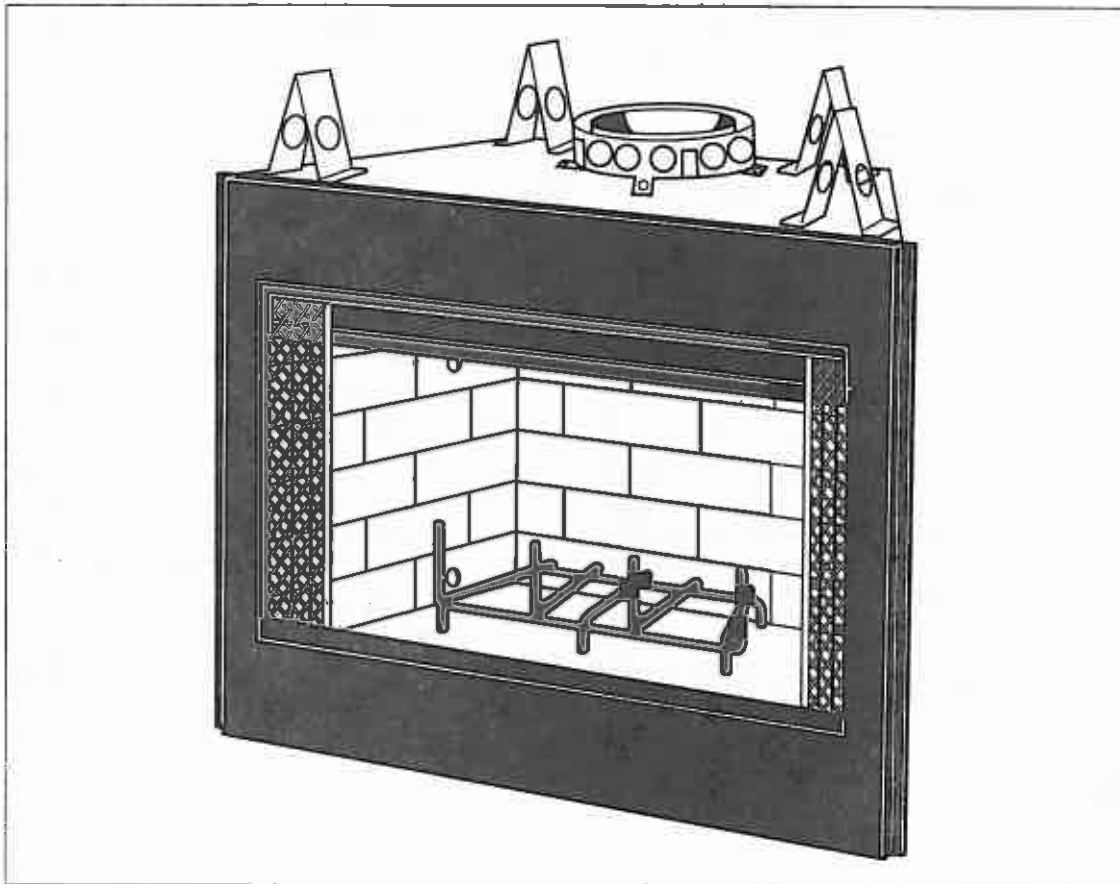
heatilator®

The first name in fireplaces

Heatilator Inc.
1915 W. Saunders Street
Mt. Pleasant, IA 52641
A Division of Hearth Technologies Inc.



E36 E39 E42 WOODBURNING FIREPLACE INSTALLATION & OPERATING INSTRUCTIONS FOR RESIDENTIAL USE



Model E36, E39, E42

PLEASE RETAIN THIS MANUAL FOR FUTURE REFERENCE.

Table of Contents

Listings and Code Approvals3
 Description of the Fireplace System3
 Fireplace System Components4
 Pre-Installation Preparation8
 Fireplace Locations and Space Requirements.....8
 Framing The Fireplace9
 Hearth Extensions10
 Sidewalls/Surrounds.....11
 Mantel.....11
 Chimney Requirements11
 Using Offsets and Returns12
 Chimney Height Requirements13
 Step-By-Step Installation of the Fireplace System.....14
 Constructing a Chase19
 Materials For The Chase.....19
 Installing a Terminal Cap on a Chase-Enclosed Chimney20
 Operating Instructions21

Safety Precautions

1. Please read these installation instructions completely before beginning installation procedures. Failure to follow them could cause a fireplace malfunction resulting in serious injury and/or property damage.
2. Always check your local building codes prior to installation. The installation must comply with all local, regional, state and national codes and regulations.
3. An adequate supply of replacement combustion air from outside the house must be available to the fire for the fireplace to operate properly. To achieve this, an optional outside air kit is highly recommended.

 In the event the home is unusually tight, the optional combustion air kit may not provide all the air required to support combustion. Heatilator is not responsible for any smoking or related problems that may result from the lack of adequate combustion air. It is the responsibility of the builder/contractor to ensure that adequate combustion air has been provided for the fireplace.
4. The E Series woodburning fireplace must be installed with the SL300 Series chimney system.

The chimney system must always terminate outside the building. Be sure to follow all chimney specifications given in these installation instructions.

5. NEVER leave children unattended when there is a fire burning in the fireplace.
6. This fireplace is built for solid fuel only. DO NOT use chimney cleaners or flame colorants in your fireplace.
7. NEVER use gasoline, gasoline type lantern fuel, kerosene, charcoal lighter fluid, or similar liquids in this fireplace. Keep any flammable liquids a safe distance from the fireplace.
8. The flue damper must be open at all times when the fireplace is in use.
9. While servicing this fireplace, always shut off any electricity or gas to the fireplace. This will prevent possible electrical shock or burns. Also, make sure the unit is completely cooled before servicing.
10. To ensure a safe fireplace system and to prevent the buildup of soot and creosote, inspect and clean the fireplace and chimney prior to use and periodically during the burning season.



LISTINGS AND CODE APPROVALS

The E Series fireplace system has been tested and listed in accordance with UL127 and ULC S610 Standards, and has been listed by Underwriters Laboratories Inc. for installation and operation in the United States and Canada as described in these Installation & Operating Instructions.

The model E Series fireplace has been tested and listed for use with the optional components given on page 4. These optional components may be purchased separately and installed at a later date. However, installation of an outside air kit will require significant reconstruction, and should be installed at

the time of the initial fireplace installation.

Check with your local building code agency prior to installing this fireplace to ensure compliance with local codes, including the need for permits and follow-up inspections. If any assistance is required during installation, please contact your local dealer or the Heatilator Customer Relations Department, 1915 W. Saunders Street, Mt. Pleasant, Iowa 52641.

HEATILATOR® is a registered trademark of Heatilator, a Division of Hearth Technologies Inc.

WARNING!

THIS HEATILATOR FIREPLACE AND ITS COMPONENTS ARE DESIGNED TO BE INSTALLED AND OPERATED AS A SYSTEM. ANY ALTERATION TO OR SUBSTITUTION FOR ITEMS IN THIS SYSTEM, UNLESS ALLOWED BY THESE INSTALLATION INSTRUCTIONS, WILL VOID THE UNDERWRITERS LABORATORIES LISTING AND MAY VOID THE PRODUCT WARRANTY. IT MAY ALSO CREATE A HAZARDOUS INSTALLATION. READ THROUGH THESE INSTRUCTIONS THOROUGHLY BEFORE STARTING YOUR INSTALLATION AND FOLLOW THEM CAREFULLY THROUGHOUT YOUR PROJECT.

DESCRIPTION OF THE FIREPLACE SYSTEM

The HEATILATOR® fireplace system consists of the following:

- | | |
|-----------------------------|----------------------------|
| 1. Fireplace/Integral Grate | 3. Chimney System |
| 2. Hearth Extension | 4. Chimney Termination Cap |

Optional components include:

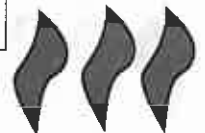
- | | |
|----------------------------------|--------------------------|
| 1. Glass Doors | 3. Heat Circulating Fans |
| 2. Outside Combustion Air System | |

NOTE: Illustrations throughout these instructions reflect "typical installations" and are for design purposes only. Actual installation may vary slightly due to individual design preferences. However, minimum and maximum clearances must be maintained at all times.

The illustrations and diagrams used throughout these installation instructions are not drawn to scale.

Tools and Building Supplies Normally Required

Tools	Building Supplies
Saw	Hearth extension material
Pliers	Wall-finishing materials
Hammer	Framing material
Phillips screwdriver	Fireplace surround
Tape measure	Caulking material
Plumb line	
Leveler	
Electrical drill and bits	
Square	



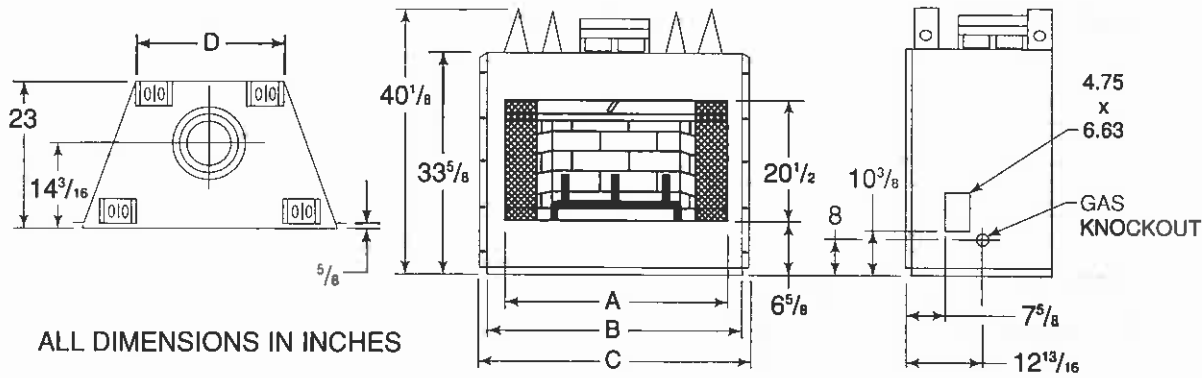
FIREPLACE SYSTEM COMPONENTS

The table below, together with the following pictures, show only those components which may be safely used with this fireplace.

Catalog Number			Description
E36	E39	E42	Fireplace, includes integral grate and hearth protection strips
HX5	HX6	HX7	Hearth Extension
DM1036	DM1039	DM1042	Original Bi-fold Glass Doors - Black Finish
DM1036A	DM1039A	DM1042A	Original Bi-fold Glass Doors - Brushed Brass Finish
DM1036B	DM1039B	DM1042B	Original Bi-fold Glass Doors - Polished Brass Finish
C1136A	C1139A	C1142A	Classic Bi-fold Glass Doors - Brushed Brass Finish
C1136B	C1139B	C1142B	Classic Bi-fold Glass Doors - Polished Brass Finish
C1136C	C1139C	C1142C	Classic Bi-fold Glass Doors - Chrome Finish
C2136A	None	C2142A	Classic Cabinet Glass Doors - Brushed Brass Finish
C2136B	None	C2142B	Classic Cabinet Glass Doors - Polished Brass Finish
C2136C	None	C2142C	Classic Cabinet Glass Doors - Chrome Finish
GR4	GR5	GR6	Integral Grate (included with Fireplace)
	AK14		Outside Air Kit
	ID4		Insulated Duct/Outside Air
	UD4		Uninsulated Duct/Outside Air
	CAK4		Chimney Air Kit
	SL306		Chimney Section - 6 inch long
	SL312		Chimney Section - 12 inch long
	SL318		Chimney Section - 18 inch long
	SL324		Chimney Section - 24 inch long
	SL336		Chimney Section - 36 inch long
	SL348		Chimney Section - 48 inch long
	SL3		Chimney Stabilizer
	SL315		Chimney Offset/Return - 15°
	SL330		Chimney Offset/Return - 30°
	FS338		Firestop - Straight
	FS339		Firestop - 15°
	FS340		Firestop - 30°
	AS8		SL300 Straight Attic Insulation Shield, 24"
	JB877		Chimney Joint Band
	CB876		Chimney Bracket
	RF370		Roof Flashing - Flat to 6/12 Pitch
	RF371		Roof Flashing - 6/12 to 12/12 Pitch
	TR342		Telescoping Chimney Terminal Cap - Round
	TR344		Chimney Terminal Cap - Round (Storm collar included)
	ST375		Chimney Terminal Cap - Square
	ST376		Telescoping Chimney Terminal Cap - Square
	CT35		Chase Top
	TS344		Square Termination System
	SK44		Square Termination Decorative Skirt



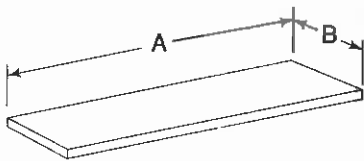
E SERIES WOODBURNING FIREPLACE



ALL DIMENSIONS IN INCHES

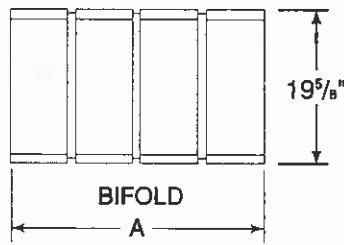
CAT. #	A	B	C	D
E36	36	41	43	25 1/4
E39	39	44	46	28 1/4
E42	42	47	49	31 1/4

HEARTH EXTENSIONS



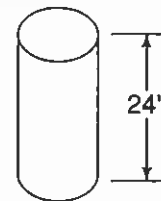
CAT. #	A	B
HX5	46"	16"
HX6	49"	16"
HX7	60"	20"

GLASS DOORS



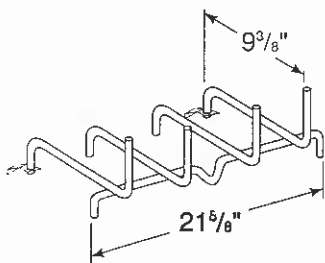
CAT. #	A
DM1036	35 3/8"
DM1039	38 3/8"
DM1042	41 3/8"

STRAIGHT ATTIC INSULATION SHIELD



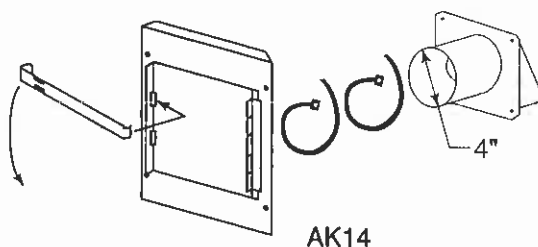
AS8

INTEGRAL GRATES



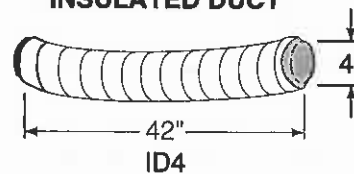
GR4
GR5
GR6

OUTSIDE AIR KIT

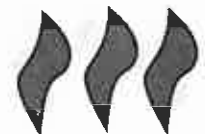
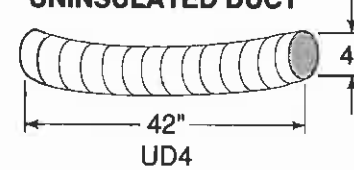


AK14

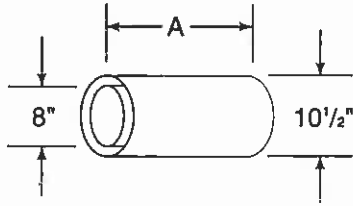
INSULATED DUCT



UNINSULATED DUCT



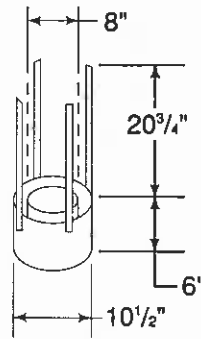
CHIMNEY SECTIONS



CAT. #	A	B
SL306	6"	4 ³ / ₄ "
SL312	12"	10 ³ / ₄ "
SL318	18"	16 ³ / ₄ "
SL324	24"	22 ³ / ₄ "
SL336	36"	34 ³ / ₄ "
SL348	48"	46 ³ / ₄ "

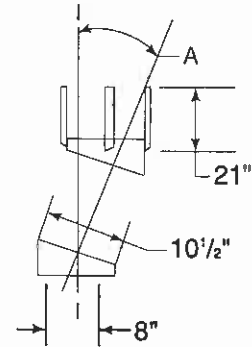
A= Actual length
B= Effective length (length of chimney part after it has been snapped to another)

CHIMNEY STABILIZER



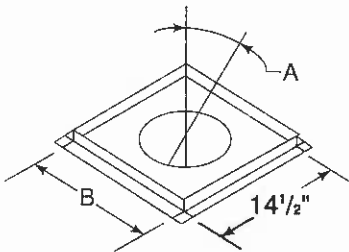
SL3

OFFSETS/RETURNS



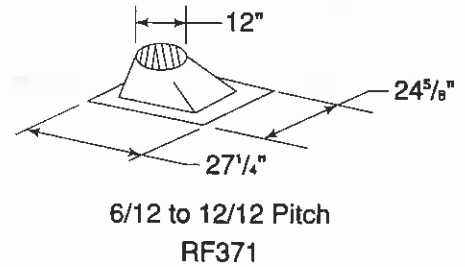
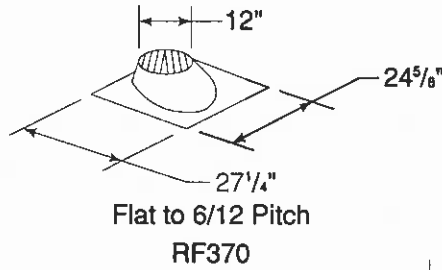
CAT. #	A
SL315	15°
SL330	30°

FIRESTOP SPACERS

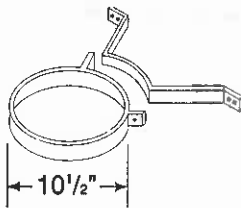


CAT. #	A	B
FS338	0°	14 ¹ / ₂ "
FS339	15°	18 ³ / ₈ "
FS340	30°	22 ¹⁵ / ₁₆ "

ROOF FLASHING

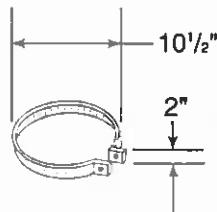


CHIMNEY BRACKET



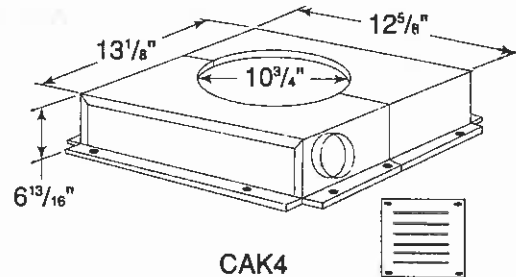
CB876

JOINT BAND

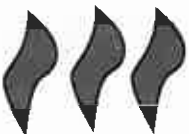


JB877

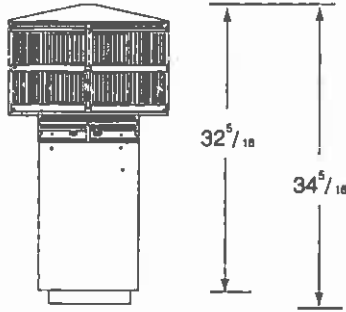
CHIMNEY AIR KIT



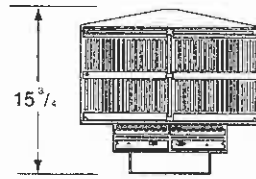
CAK4



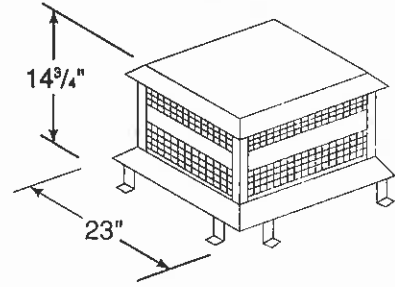
CHIMNEY TERMINAL CAPS & VENT SECTIONS



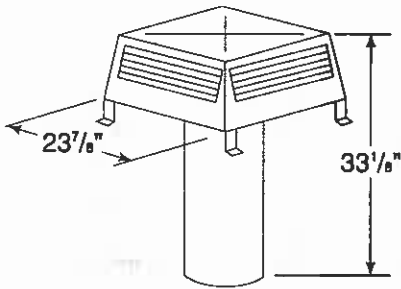
TR342
ROUND TELESCOPING
TERMINAL CAP



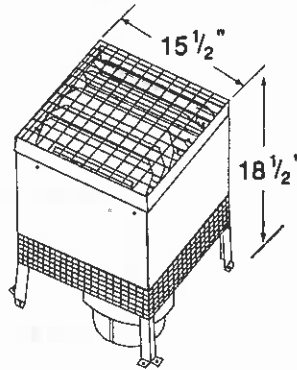
TR344
ROUND TERMINAL CAP
WITH STORM COLLAR



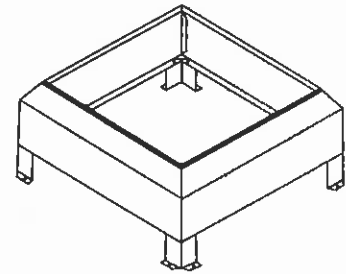
ST375
SQUARE TERMINAL CAP



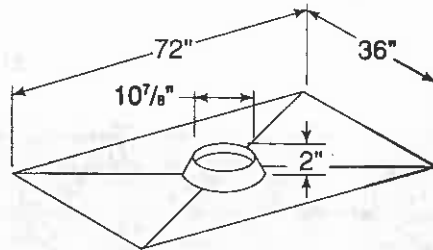
ST376
SQUARE TERMINAL CAP



TS344
SQUARE SHROUD
TERMINATION SYSTEM



SK44
SQUARE TERMINATION
DECORATIVE SKIRT



CT35
CHASE TOP



PRE-INSTALLATION PREPARATION

FIREPLACE LOCATIONS AND SPACE REQUIREMENTS

Several options are available to you when choosing a location for your fireplace. This fireplace may be

used as a room divider, installed along a wall, across a corner or use an exterior chase. See Figure 1.

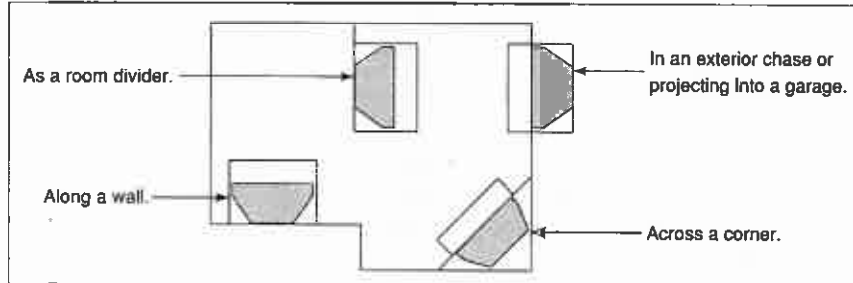


Figure 1
Fireplace Locations

Figures 2 and 3 show two typical installations assuming an outside air kit is being used. Therefore, an allowance must be made for 90° bends. Less space

is required when ducting goes directly outside without forming elbows.

Figure 2
Installation along a wall or an exterior chase.

WITHOUT OUTSIDE AIR

CAT. #	A
E36	42"
E39	45"
E42	48"

WITH OUTSIDE AIR

CAT. #	A
E36	42"
E39	45"
E42	48"

Figure 3
Corner Installation

WITH OR WITHOUT OUTSIDE AIR

CAT. #	A	B	C	D	E
E36	42"	72 ¹ / ₁₆ "	36 ⁵ / ₁₆ "	15 ¹ / ₂ "	51 ¹ / ₂ "
E39	45"	75 ¹ / ₁₆ "	37 ¹ / ₁₆ "	16 ¹ / ₂ "	53 ¹ / ₂ "
E42	48"	78 ¹ / ₁₆ "	39 ¹ / ₁₆ "	17 ¹ / ₂ "	55 ¹ / ₂ "

* A minimum of 1/2" air clearance must be maintained between the firebox and wall.

WARNING!

DO NOT DRAW OUTSIDE AIR FROM GARAGE SPACES. EXHAUST PRODUCTS OF GASOLINE ENGINES ARE HAZARDOUS.

DO NOT INSTALL OUTSIDE AIR DUCTS SUCH THAT THE AIR MAY BE DRAWN FROM ATTIC SPACES, BASEMENTS OR ABOVE THE ROOFING WHERE OTHER HEATING APPLIANCES OR FANS AND CHIMNEYS EXHAUST OR UTILIZE AIR. THESE PRECAUTIONS WILL REDUCE THE POSSIBILITY FOR SMOKING OR FLOW REVERSAL.



WARNING!

TO PREVENT CONTACT WITH SAGGING OR LOOSE INSULATION, THE FIREPLACE MUST NOT BE INSTALLED AGAINST VAPOR BARRIERS OR EXPOSED INSULATION. LOCALIZED OVERHEATING COULD OCCUR AND A FIRE COULD RESULT.

FRAMING THE FIREPLACE

Figure 4 shows a typical framing (using 2 x 4 lumber) of the fireplace, assuming combustible materials are used. All required clearances to combustibles around the fireplace must be adhered to. Any framing across the top of the fireplace must be above the level of the

top standoffs. A 1/2" air clearance must be maintained at the back and sides of the firebox assembly. Chimney Sections at any level require a two inch minimum air space clearance between the framing and chimney section.

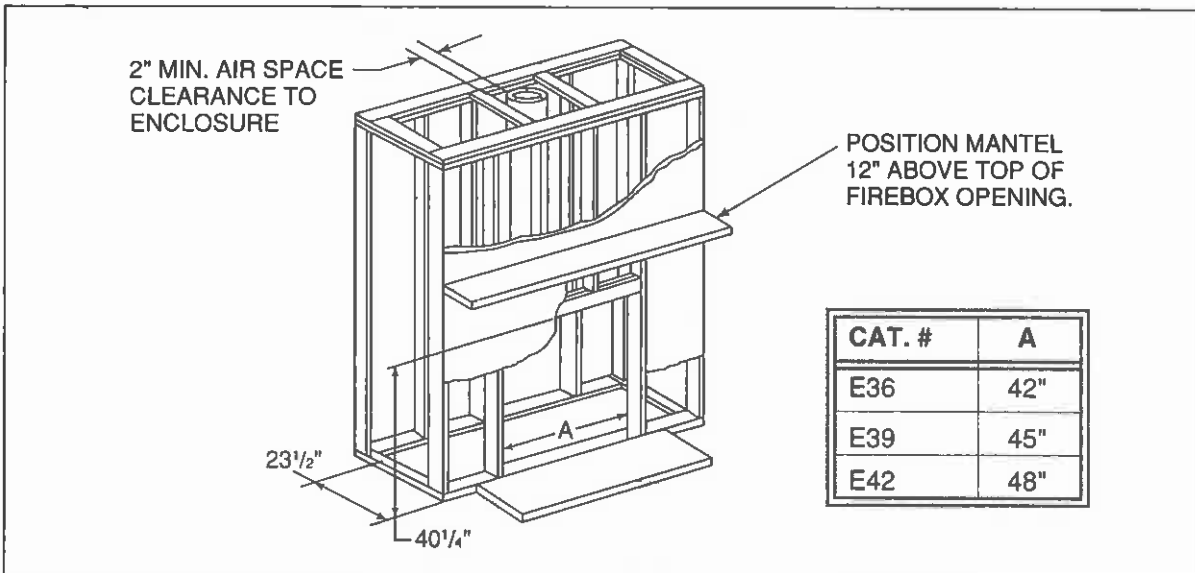


Figure 4 - Framing the Fireplace

Combustible Material. Material made of or surfaced with wood, compressed paper, plant fibers, plastics, or any material capable of igniting and burning, whether flame proofed or not, plastered or unplastered.

Non-combustible Material. Material which will not ignite and burn. Such materials are those consisting entirely of steel, iron, brick, tile, concrete, slate, glass or plasters, or combination thereof.

Non-combustible Sealant Material. Sealants that will not ignite and burn; General Electric RTV103

Black), or equivalent. Rutland, Inc. Fireplace Mortar #63, or equivalent.

After completing the framing and applying the facing material (dry wall) over the framing, a non-combustible sealant, one-half inch wide maximum, must be used to close off any gaps at the top and sides between the fireplace and facing to prevent cold air leaks.

Only non-combustible materials may be used to cover the black metal fireplace front.

WARNING!

DO NOT APPLY FINISHING MATERIALS OVER THE BOTTOM AIR INLET SLOTS NEAR THE GLASS DOOR OPENING ON THE FACE OF THESE FIREPLACES. THIS WILL BLOCK THE FLOW OF COOLING AIR AND MAY CAUSE DANGEROUSLY HIGH TEMPERATURES ON COMBUSTIBLE SURFACES OR ON THE FIREPLACE ITSELF.



HEARTH EXTENSIONS

A hearth extension must be installed with all fireplaces. It is to protect the combustible floor in front of the fireplace from both radiant heat and sparks.

The construction of and materials used for a factory-built hearth extension are shown in Figure 5. A

hearth extension of this construction may be covered with any non-combustible decorative material and may have a maximum thickness of 6". Seal gaps between the hearth extension and the front of the fireplace with a non-combustible sealant.

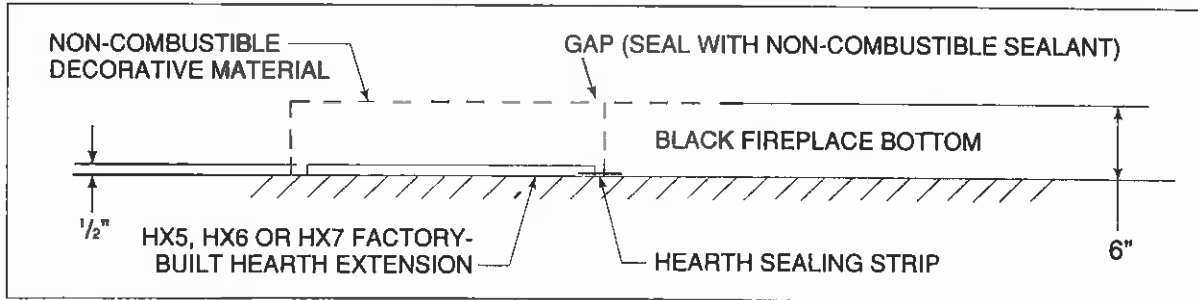


Figure 5
Factory-Built Hearth Extension

Field constructed Hearth Extensions should be constructed in accordance with the minimum dimensions provided in Figure 6.

INSULATION MIN. R VALUE 1.16

EXAMPLES OF INSULATION

	REQUIRED THICKNESS	K VALUE
USG MICORE CV230	1/2"	0.43

(THERMAL CONDUCTIVITY) "K" = BTU in./hr. ft² °F

TO SUBSTITUTE ALTERNATE INSULATION MATERIAL, YOU NEED TO KNOW THE "K" FACTOR FOR THAT MATERIAL. TO CALCULATE THE REQUIRED THICKNESS FOR THE ALTERNATE MATERIAL USE THE FOLLOWING FORMULA:

$$K \text{ ALT. } \frac{.43}{.43} \times .5 = \text{THICKNESS OF ALTERNATE MAT. (INCHES)}$$

EXAMPLE: "K" OF BRICK = 5

$$\frac{5}{.43} \times .5 = 5.81 \text{ IN. OF BRICK.}$$

CAT. #	A	B
E36	46"	16"
E39	49"	16"
E42	60"	20"

Figure 6 - Hearth Extension

WARNING!

HEARTH EXTENSIONS ARE TO BE INSTALLED ONLY AS ILLUSTRATED TO PREVENT HIGH TEMPERATURES FROM OCCURRING ON CONCEALED COMBUSTIBLE MATERIALS. HEARTH SEALING STRIPS PREVENT BURNING OR HOT PARTICLES FROM INADVERTENTLY FALLING DIRECTLY ON COMBUSTIBLE SURFACES IN THE EVENT THE BUILDING SHOULD SETTLE AND DISTURB THE ORIGINAL CONSTRUCTION.



E SERIES WOODBURNING FIREPLACE

SIDEWALLS/SURROUNDS

Adjacent combustible side walls must be located a minimum of 12" from the fireplace opening. See Figure 7. If you are using a decorative surround constructed of combustible material, it must be located

within the shaded area defined in Figure 7. Short stub walls are also acceptable if they are contained within the shaded area.

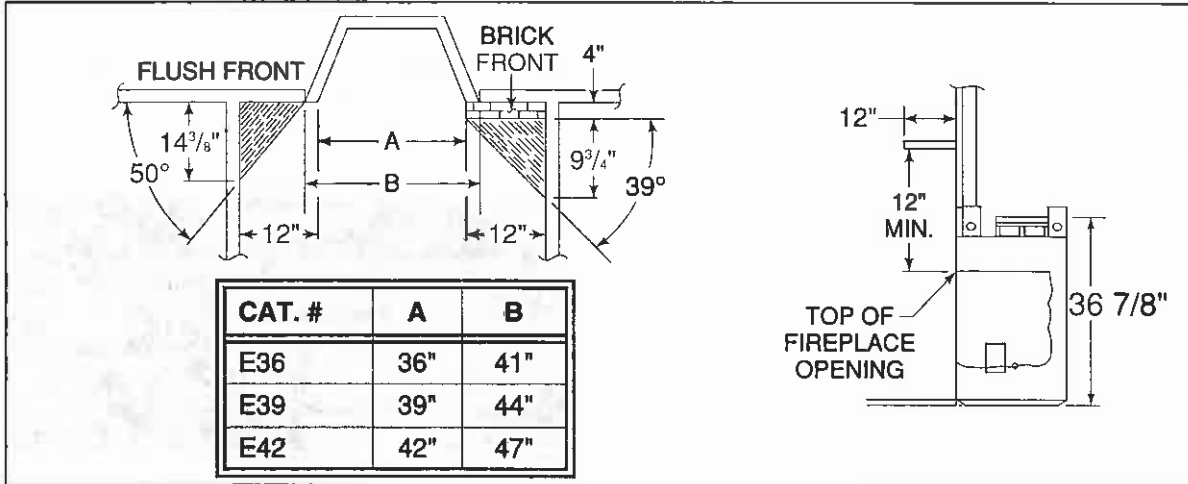


Figure 7
Sidewalls/Surrounds

MANTEL

A combustible mantel may be positioned no lower than 12" above the top of the firebox opening. The combustible mantel may have a maximum depth of 12". Combustible trim materials, projecting no more than 1 1/2" from the face of the fireplace, can be placed no closer than 6" from the top and side of the

firebox opening. (See the shaded areas on each side of the firebox, as defined in Figure 7). Combustible trim must not cover the black metal surfaces of the fireplace. This mantel clearance is in accordance with Section 7-3.3.3 of ANSI/NFPA 211.

CHIMNEY REQUIREMENTS

When planning your fireplace location, the chimney construction and necessary clearances must be considered. The fireplace system and chimney components have been tested to provide the following flexibility in construction. The following figures are the minimum distances from the base of the unit.

Minimum overall straight height	13 ft.
Minimum height with Offset/Return	14.5 ft.
Maximum height	90 ft.
Maximum chimney length between an Offset/Return	12 ft.
Maximum distance between Chimney Stabilizers	35 ft.
Double Offset/Return minimum height	20 ft.
Maximum unsupported chimney length between Offset/Return	6 ft.
Maximum straight unsupported chimney height above firebox	25 ft.

USING OFFSETS AND RETURNS

To bypass any overhead obstructions, the chimney may be offset using a 15° offset/return (SL315) or a 30° offset/return (SL330). Perform the following steps to determine the correct chimney component combination for your particular installation.

An offset and return may be attached together or a chimney section(s) may be used between an offset and return. However, the distance between two

elbows must never exceed 12 feet in total length.

1. Measure how far the chimney needs to be shifted to enable it to avoid the overhead obstacle. See Figure 8, dimension "A".
2. After determining the offset dimension, refer to Table 1 (page 13) and find the "A" dimension closest to **but not less than** the distance of shift needed for your installation.



- The "B" dimensions that coincide with the "A" dimensions represent the required vertical clearance that is needed to complete the offset and return.
- Read across the chart and find the number of chimney sections required and the model number of those particular chimney parts.

- Whenever the chimney penetrates a floor/ceiling, a firestop spacer must be installed.
- The effective height of the firebox assembly is 36 7/8".

Example: Your "A" dimension from Figure 8 is 14 1/2". Using Table 1, the dimension closest to but not less than 14 1/2" is 14 5/8" using a 30° offset/return. It is then determined from the table that you would need 33 1/8" (Dimension "B") between the offset and return. The chimney components that best fit your application are two SL312's.

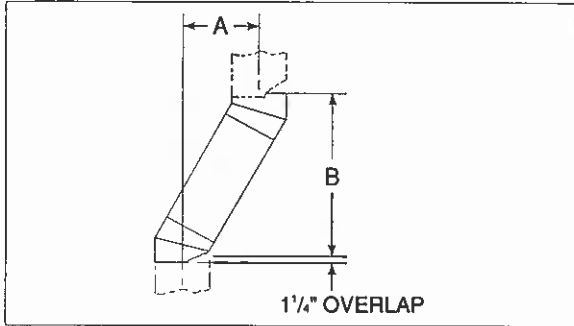


Figure 8
Chimney Offset/Return

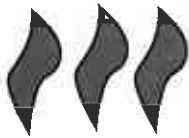
WARNING!

DO NOT COMBINE ELBOWS THAT CREATE AN OFFSET GREATER THAN 30° FROM VERTICAL. THIS MAY CREATE A FIRE HAZARD SINCE THE NATURAL DRAFT MAY BE RESTRICTED.

TABLE 1 **Offset Chart*** **(Dimensions in Inches)**

15°		30°		SL306	SL312	SL318	SL324	SL336	SL348
A	B	A	B						
1 1/8	13 3/8	3 1/8	14 1/8	—	—	—	—	—	—
2 1/8	17 3/8	6 1/8	18 1/8	1	—	—	—	—	—
—	—	8 1/8	22 1/8	2	—	—	—	—	—
4 1/8	23 3/8	9 1/8	23 3/8	—	1	—	—	—	—
—	—	11 1/8	27 3/8	1	1	—	—	—	—
6	29 3/8	12 1/8	28 15/8	—	—	1	—	—	—
7 1/8	34	14 5/8	33 1/8	—	2	—	—	—	—
—	—	15 1/8	34 3/8	—	—	—	1	—	—
—	—	17 3/8	38 3/8	1	—	—	1	—	—
—	—	20 5/8	43 3/8	—	—	2	—	—	—
10 3/8	46 3/8	21 1/8	44 3/8	—	—	—	—	1	—
11 3/8	51 3/8	23 3/8	48 1/8	1	—	—	—	1	—
—	—	26 3/8	53 13/8	—	—	—	2	—	—
13 3/8	58 3/8	27 1/8	55 3/8	—	—	—	—	—	1
15	62 15/8	29 3/8	59 1/8	1	—	—	—	—	1
16 1/8	68 3/8	32 3/8	64 3/8	—	1	—	—	—	1
18 1/8	74 3/8	35 3/8	69 3/8	—	—	1	—	—	1
—	—	38 3/8	74 3/8	—	—	—	1	—	1
—	—	41	78 3/8	1	—	—	1	—	1
22 3/8	91 3/8	44 3/8	85 3/8	—	—	—	—	1	1
24	96 3/8	47	89 3/8	1	—	—	—	1	1
25 3/8	103 3/8	50 3/8	95 3/8	—	—	—	—	—	2

*Proper assembly of air cooled chimney parts result in an overlap at chimney joints of 1/4". Effective length is built into this chart.



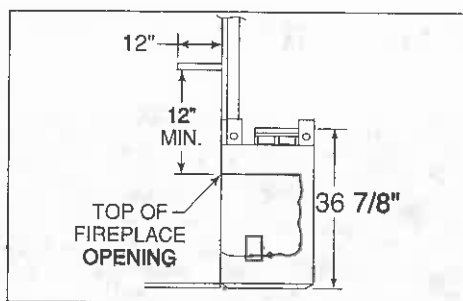


Figure 8a - Fireplace (Side View)

**CHIMNEY HEIGHT REQUIREMENTS
(Above the roof line)**

Major building codes specify a minimum chimney height above the roof top. These specifications are summarized in what is known as the "Ten Foot Rule". This rule states: If the horizontal distance from the side of the chimney to the peak of the roof is 10 feet or less, the top of the chimney must be at least 2 feet above the peak of the roof, but never less than 3 feet in overall height above the highest point where it passes through the roof. See Figure 9.

If the horizontal distance from the side of the chimney to the peak of the roof is more than 10 feet, a chimney height reference point is established on the surface of the roof a distance of 10 feet from the side of the chimney in a horizontal plane. The top of the chimney must be at least 2 feet above this reference point, but never less than 3 feet in height above the highest point where it passes through the roof.

These chimney heights are necessary in the interest of safety and do not ensure smoke-free operation. Trees, buildings, adjoining roof lines, adverse wind conditions, etc., may create a need for a taller chimney should smoking occur.

DETERMINING THE NUMBER OF CHIMNEY SECTIONS REQUIRED

To determine the chimney components needed to complete your particular installation, follow the below steps:

1. Determine the total vertical height of the fireplace installation. This dimension is measured from the base of the firebox assembly to the point where the smoke exits the terminal cap.
2. Subtract the height of the firebox assembly (36 7/8") from the overall height of the fireplace installation.
3. Reference the below chart to determine what components must be selected to complete the fireplace installation.
4. Determine the number of firestop spacers, stabilizers, roof flashing, etc. required to complete the fireplace installation.

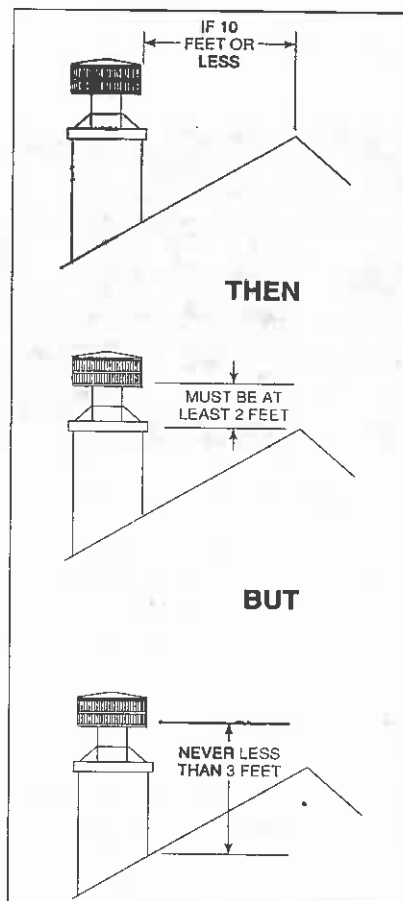


Figure 9
Chimney Height

Height of Chimney Components	
Chimney Stabilizer	
SL3	4 3/4"
Firestop Spacers	
FS338	0
FS339	0
FS340	0
Offset/Returns	
SL315	13 3/8"
SL330	14 1/8"
Roof Flashing	
RF370	0
RF371	0
Chimney Sections*	
SL306	4 3/4"
SL312	10 3/4"
SL318	16 3/4"
SL324	22 3/4"
SL336	34 3/4"
SL348	46 3/4"

*Dimensions reflect effective height.



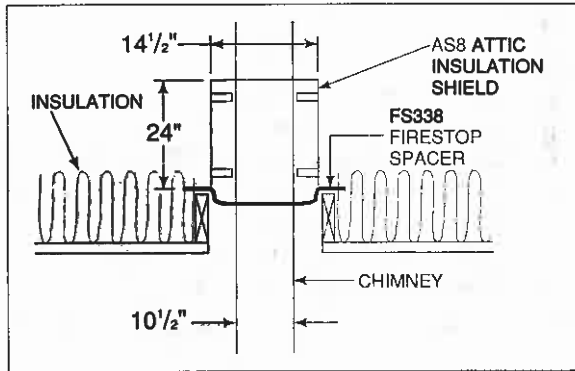


Figure 14
Installing an AS8

STEP 8 - Double-checking chimney assembly

Continue assembling the chimney sections up through the firestop spacers as needed. While doing so, be aware of the height and unsupported chimney length limitations that are given on page 11 under "Chimney Requirements".

Check each section by pulling up slightly from the top to ensure proper engagement before installing the succeeding sections. If they have been connected correctly, they will not disengage when tested.

STEP 9 - Securing chimney system

When offsets and returns are joined to straight pipe sections, they must be locked into position with the screws provided, using the predrilled holes. To prevent gravity from pulling the chimney sections apart, the returns and the chimney stabilizers have straps for securing these parts to joists or rafters. See Figure 15.

NOTE: Be sure to provide support for the pipe during construction and check to be sure inadvertent loading has not dislodged the chimney section from the fireplace or at any chimney joint.

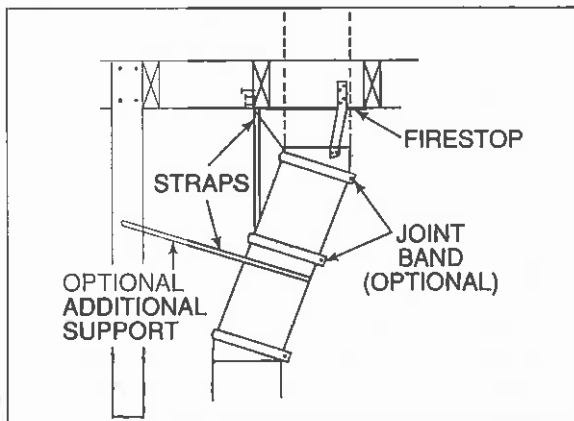


Figure 15
Offset/Return with stabilizer

WARNING!

WHEN CHIMNEY SECTIONS EXCEEDING SIX FEET IN LENGTH ARE INSTALLED BETWEEN AN OFFSET/RETURN, STRUCTURAL SUPPORT MUST BE PROVIDED TO REDUCE OFF-CENTER LOADING AND PREVENT CHIMNEY SECTIONS FROM SEPARATING AT THE CHIMNEY JOINTS.

STEP 10 - Marking the exit point of the roof

Locate the point where the chimney will exit the roof by plumbing down to the center of the chimney. Drive a nail up through the roof to mark the center. See Figure 16.

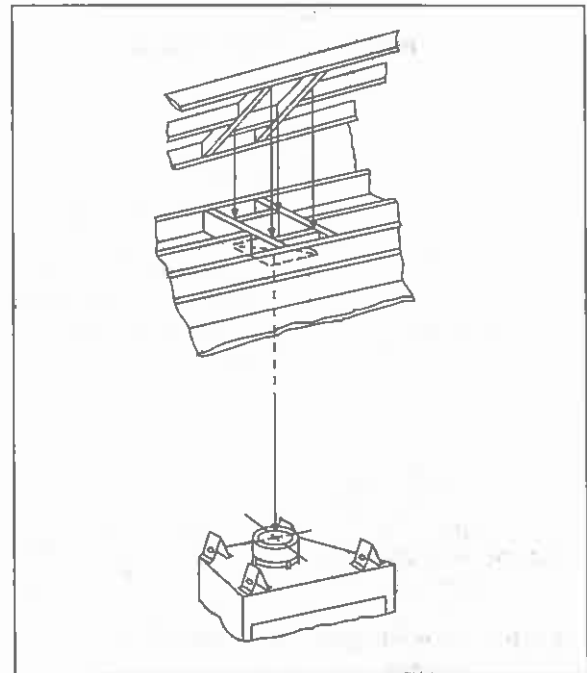


Figure 16
Ceiling and attic construction

STEP 11 - Cutting out the hole in the roof.

Measure to either side of the nail and mark the 14 1/2" x 14 1/2" opening required. This is measured on the horizontal; actual length may be larger depending on the pitch of the roof. Cut out and frame the opening. See chapter 25 of the Uniform Building Code for Roof Framing details. Be sure to maintain a 2" minimum air space between the chimney section and the roof.



E SERIES WOODBURNING FIREPLACE

STEP 12 - Assembling chimney sections

Continue to add chimney sections through the roof opening, maintaining at least a 2" air space.

STEP 13 - Installing the roof flashing

Install the roof flashing appropriate to the roof pitch and install a TR344 terminal cap (round) following the instructions shipped with these accessories.

STEP 14 - Installing the CAK4

When installing a CAK4 chimney air kit, follow the instructions provided with this accessory. Use of a CAK4 is required in Canada.

STEP 15 - Installing an outside combustion air kit

The AK14 outside air kit is an optional feature with this fireplace and its use is highly recommended to minimize the effects of negative pressure within the structure. Figure 17 illustrates two of many possible methods that can be used to supply outside air to the fireplace system.

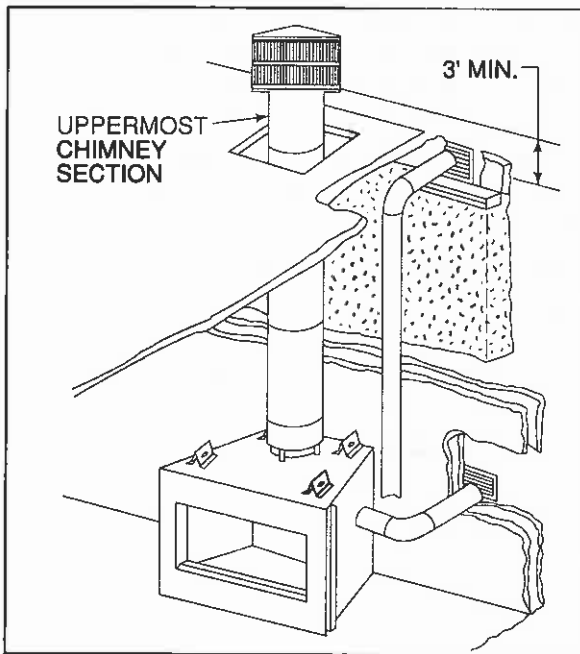


Figure 17
Outside Air Location

NOTE: The outside air kit can terminate at any level with the exception that it must terminate at least three feet below the chimney terminal cap as shown in Figure 17.

The outside air kit may be installed on either the left hand or right hand side of the fireplace. Remove the cover plate from the side of the firebox assembly where the air kit is to be installed. Install the AK14 outside air kit as detailed in the installation instructions provided with the outside air combustion kit.

STEP 16 - Completion of fireplace enclosure

Complete the fireplace enclosure, allowing space for outside air ducts and gas piping if desired. Electrical wiring should not come in contact with the unit. A minimum clearance of 1/2" must be maintained between the fireplace sides and the enclosure as well as the fireplace back and the enclosure. See Figure 4 for framing details.

STEP 17 - Provisions for an optional gas log set

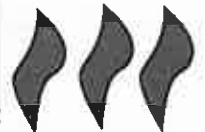
Knockouts are provided on both sides of the fireplace to allow for connection of a certified gas log lighter or a decorative gas appliance with a maximum input of 100,000 BTU/hr. and complying with the Standard for Decorative Gas Appliances for Installation in Vented Fireplaces. The decorative gas appliance should be installed in accordance with the National Fuel Gas Code, ANSI Z223.1-1980. The side refractories are designed to allow 1/2" iron pipe to pass through. Use a non-combustible sealant to seal any opening between the gas pipe and refractory on the inside. Repack the insulation removed, to seal around the gas pipe where it exits the side of the fireplace. A minimum 1 1/2" air clearance must be provided to the 1/2" iron pipe. See Figure 18.

WARNING!

THIS FIREPLACE WAS NOT TESTED BY THE FIREPLACE MANUFACTURER FOR USE WITH AN UNVENTED GAS LOG HEATER. DO NOT INSTALL AN UNVENTED GAS LOG HEATER IN THIS FIREPLACE. USE OF AN UNVENTED GAS LOG HEATER IN THIS FACTORY-BUILT FIREPLACE MAY CREATE A FIRE HAZARD THAT CAN RESULT IN A STRUCTURE FIRE.

CAUTION

WHEN USING A GAS LOG SET, THE FIREPLACE DAMPER MUST BE SET IN THE FULLY OPEN POSITION. THIS ENSURES A PROPER VENTING OF COMBUSTION PRODUCTS.



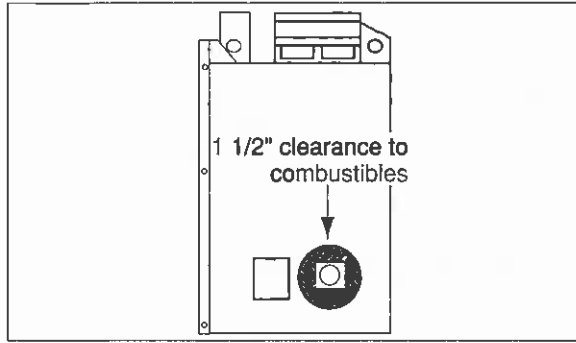


Figure 18
Gas knockout location

STEP 18- Installing the firescreen

Attach the firescreen to the fireplace side, utilizing the (2) hairpin clips from the enclosed fastener package. Use pliers to insert the clip through the last strand of screen wire and into the hole at the mid-point of the fireplace side.

STEP 19 - Installing the glass doors

If desired, or required by local building codes, install the glass doors using the instructions supplied with the particular set of doors you have chosen.

STEP 20 - Positioning the hearth extension

Position and secure the hearth extension over the protective metal strips that have been placed partially under the firebox front. See Figure 19. These strips should be protruding approximately two inches from under the fireplace front. Seal the crack between the hearth extension and fireplace with a non-combustible sealant.

STEP 21 - Applying finishing materials on the hearth extension

Apply the non-combustible finishing material of your choice to the hearth extension. **Do not install combustible materials over the black face of the fireplace. This poses a safety hazard and may start a fire.** You may only use non-combustible material over the black face of the fireplace. Refer to Figure 7 for combustible material information.

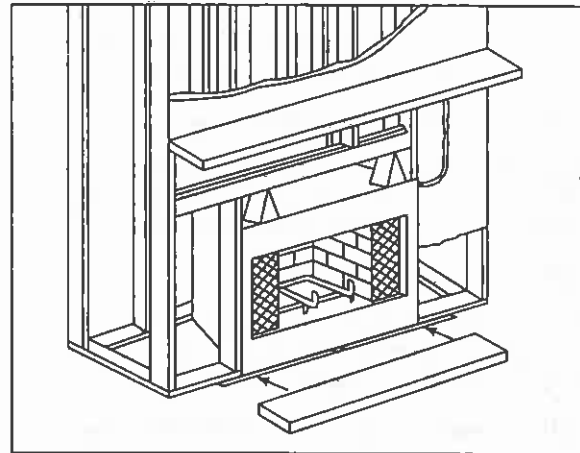


Figure 19
Positioning the Hearth Extension

CONSTRUCTING A CHASE

A chase is a vertical box-like enclosure built around the chimney and firebox. A chase may be constructed for the fireplace *and* chimney or for the chimney only. It is most commonly constructed on an outside wall.

In cold climates, it is recommended that the chase floor be insulated using batt type insulation between the floor joists.

Three examples of chase applications are shown in Figure 20.

1. Fireplace and chimney enclosed in an exterior chase.
2. Chimney offset through exterior wall and enclosed in chase.
3. Chase constructed on roof.

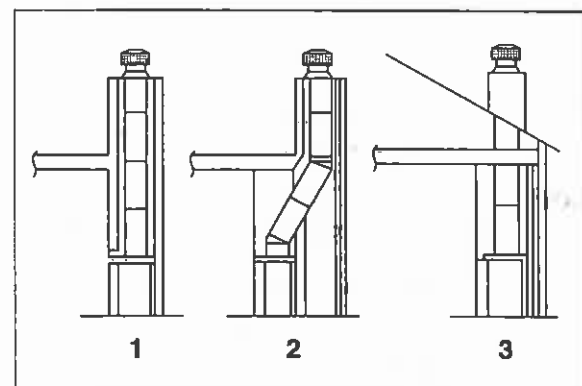
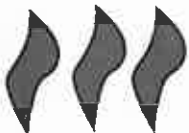


Figure 20
Chase Constructions



Materials for the chase

The chase is constructed using framing materials much the same as the walls in your home. A variety of materials may be used including brick, stone, veneer brick, or standard siding materials.

In constructing the chase, several factors must be considered.

1. Maintain a 1/2" minimum air space around the firebox.
2. Maintain a 2" air space around the chimney.
3. The chase top must be constructed of a non-combustible material.
4. In cold climates a firestop spacer should be installed in an insulated false ceiling at the 8 foot level above the firebox assembly. This prevents heat loss through the fireplace.
5. In cold climates, the walls of the chase should be insulated to the level of the false ceiling as shown in Figure 21. This will help prevent heat loss from the home around and through the fireplace.

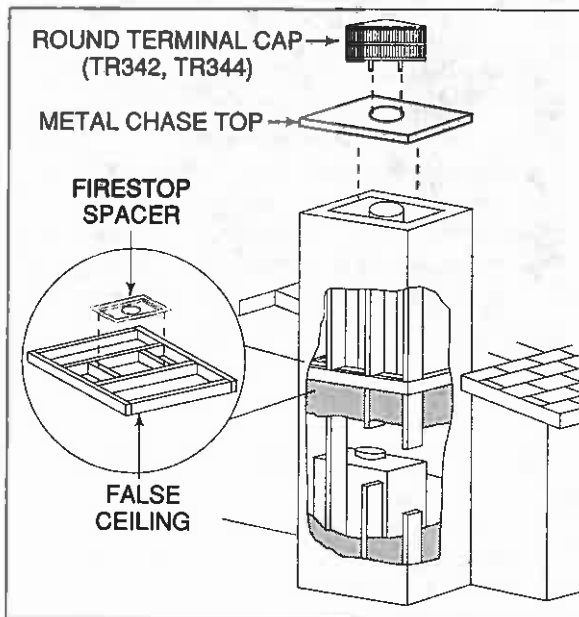


Figure 21
Chase Assembly

WARNING!

DETAIL INSTRUCTIONS FOR INSTALLATION OF THE CHASE TOP, STORM COLLAR AND TERMINAL CAP ARE PACKAGED WITH THESE PARTS. TO AVOID DANGER OF FIRE, ALL INSTRUCTIONS MUST BE STRICTLY FOLLOWED, INCLUDING THE PROVISION OF AIR SPACE CLEARANCE BETWEEN CHIMNEY SYSTEM AND ENCLOSURE. TO PROTECT AGAINST THE EFFECTS OF CORROSION ON THOSE PARTS EXPOSED TO THE WEATHER, WE RECOMMEND THAT THE CHASE TOP AND TERMINAL CAP BE PAINTED WITH A RUST RESISTANT PAINT.

Installing a terminal cap on a chase enclosed chimney

Construct a chase of desired materials maintaining a minimum 2" air space around the chimney.

WARNING!

NEVER INSTALL A SINGLE WALL SLIP SECTION OR SMOKE-PIPE IN A CHASE STRUCTURE. THE HIGHER TEMPERATURE OF THIS SINGLE WALL PIPE MAY RADIATE SUFFICIENT HEAT TO COMBUSTIBLE CHASE MATERIALS TO CAUSE A FIRE.

Install the chimney sections up through the chase enclosure. When using a round terminal cap (TR344), the last section of pipe must extend above the top of the chase cone to allow installation of the storm collar and terminal cap.

For installations utilizing a telescoping round terminal cap (TR342) or telescoping square terminal cap (ST376), the uppermost chimney section must be below the top of the chase top, but not more than 14 1/2" below the top of the chase top flashing collar.

For installations utilizing a square terminal cap (ST375), the last chimney section must not be more than 4 3/4" below the chase top. See Figure 22.

When installing a TS344 Square Termination, the uppermost chimney section must be no less than 3" below the top of the chase top or more than 3" above the top of the chase top.

Attach the chase top (CT35) to the top of the chase.

Install the terminal cap, using the instructions provided with it.



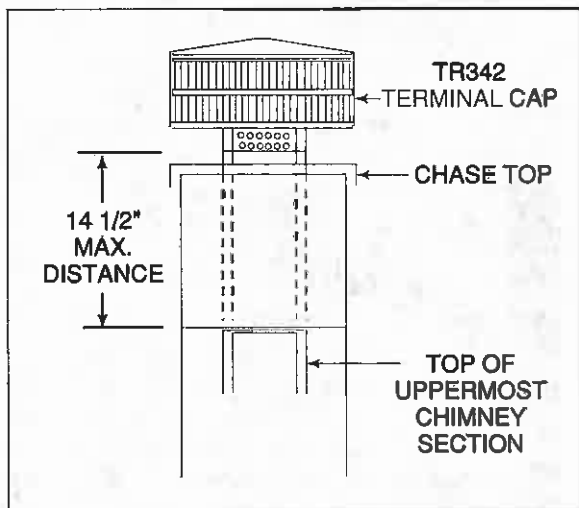


Figure 22
Installing a terminal cap

It is extremely important that the fire be supervised whenever the fireplace is in use. It is also recommended that an annual inspection be performed on the fireplace system to determine if the flue system needs to be cleaned, or as in the case of any appliance, if minor repairs are required to maintain the system in top operating condition.

INTENDED USAGE. This factory-built fireplace is intended for use with either solid fuel (firewood) or a decorative gas appliance that has been tested and listed to the Standard for Decorative Gas Appliances for Installation in Vented Fireplaces, ANSI Z21.60. **When operating your fireplace, the flue damper must be in the open position.**

This fireplace was not tested and listed for use with an unvented gas log heater. Do not install an unvented gas log heater in this fireplace and operate it with the flue damper in the full closed position unless the unvented gas log has been specifically tested and listed for use in this fireplace by Underwriters Laboratories Inc. Use of an unvented gas log heater in this factory-build fireplace may create a fire hazard that can result in a structure fire.

OPERATING INSTRUCTIONS

NOTICE:

SAVE AND PASS THESE OPERATING INSTRUCTIONS AND THE INSTALLATION INSTRUCTIONS TO SUBSEQUENT OWNERS. THE INFORMATION PROVIDED IS INTENDED TO NOTIFY AND WARN THEM ABOUT MAKING UNSAFE FUTURE MODIFICATIONS SUCH AS THE ADDITION OF SHELVES OR THE USE OF UNAUTHORIZED PARTS AND REPAIRS.

CAUTION

EDGES ARE SHARP. HAND PROTECTION IS RECOMMENDED.

This fireplace is intended to operate as a supplemental heat source for a single room. It is not designed to function as a primary heat source for a structure.

Fireplaces, as well as other woodburning appliances, have been used safely for many years. It has been our experience that most problems are caused by improper installation and operation of the unit. Make certain that installation and operation of the fireplace system is in accordance with these instructions.

WARNING!

DO NOT OPERATE THIS FIREPLACE WITH THE FLUE DAMPER IN THE CLOSED POSITION. COMBUSTION PRODUCTS MUST VENT UP THE CHIMNEY SYSTEM TO PREVENT CARBON MONOXIDE POISONING, AND TO PREVENT HOT COMBUSTION GASES FROM CONTACTING AND OVERHEATING COMBUSTIBLE SURFACES. FAILURE TO OPERATE THIS FIREPLACE WITH THE DAMPER IN THE OPEN POSITION MAY RESULT IN ASPHYXIATION OR A STRUCTURE FIRE.

CAUTION

FIREPLACE OPERATION DOES REQUIRE AIR. DO NOT TAKE AIR FROM OTHER FUEL BURNING APPLIANCES WHICH CAN RESULT IN IMPROPER VENTING (SMOKING) OR AIR DILUTION. ALWAYS PROVIDE ADEQUATE MAKE-UP AIR.



STARTING THE FIRE. Check the flue damper to be certain it is in the full open position. Place crumpled or twisted paper under the fireplace grate. Loosely arrange kindling or small pieces of wood to form a layer above the paper. Light the paper and add small pieces of wood until a hot bed of embers has been established. At this point add progressively larger pieces of wood until you are able to position 4" diameter split logs as shown in Figure 23.

When first lighting your fireplace, it may be necessary to pre-warm the flue to establish a draft. This is done by holding a rolled up piece of burning newspaper under the flue damper for a few moments. This will prevent smoke spillage during start-up.

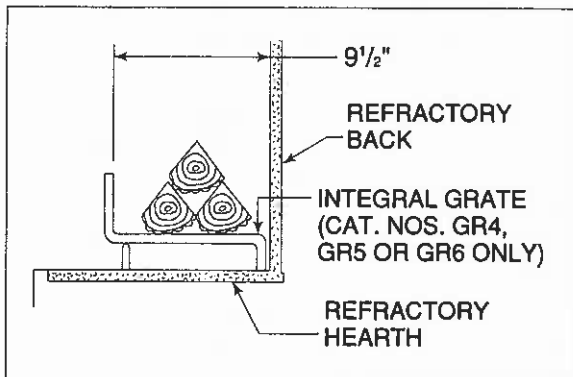


Figure 23
Sectional View of Fireplace

Firewood should be seasoned for at least 6 months before it can be burned as a fireplace fuel. Improperly seasoned (green or wet) wood will cause the fireplace to smoke, will allow creosote deposits to rapidly buildup in the chimney system and may cause roof stains to develop. Fuel products with abnormal burning characteristics, including synthetic logs that contain wax binders, scrap lumber, wax or plastic coated cardboard and other highly volatile fuels that burn at excessive temperatures, may cause the fireplace to operate in an unsafe manner. Flammable liquid fuel are explosive and must never be used to start or freshen a fire. Heatilator does not warrant the structural or functional performance of the fireplace system when such synthetic fuels or flammable liquids have been used. NOTE: When heated for the first several times, the fireplace should be heated gradually to prevent moisture in the refractory from causing cracks and to allow binders in the insulation to dissipate. You will notice an industrial odor during the first few fires that are burned. This is considered to be normal. Use only a solid wood fuel or a listed Heatilator gas

log set. Do not use a fireplace insert or products not specifically tested and listed for use in this fireplace. Use common sense when burning this fireplace. The fire must be built on the fireplace grate, without danger of the burning fuel falling out of the firebox.

CAUTION

NEVER USE GASOLINE, GASOLINE-TYPE LANTERN FUEL, KEROSENE, CHARCOAL LIGHTER FLUID, OR SIMILAR LIQUIDS TO START OR 'FRESHEN UP' A FIRE IN THIS FIREPLACE. KEEP ALL SUCH LIQUIDS WELL AWAY FROM THE FIREPLACE WHILE IT IS IN USE TO AVOID THE RISK OF A HOSTILE FIRE.

DISPOSAL OF ASHES. Ashes should be placed in a metal container with a tight-fitting lid. The closed container of ashes should be placed on a non-combustible floor or on the ground, well away from all combustible materials, pending final disposal. If the ashes are disposed of by burial in soil or otherwise locally dispersed, they should be retained in the closed container until all embers have thoroughly cooled.

GLASS DOORS. Most efficient fireplace operation using glass doors is with the doors open. When the doors are open, the screen must be closed. Only HEATILATOR glass doors, model numbers DM1036, DM1036A, DM1036B, C1136A, C1136B, C1136C, C2136A, C2136B or C2136C may be used on the E36 fireplace. Model numbers DM1039, DM1039A, DM1039B, C1139A, C1139B or C1139C may be used on the E39. Model numbers DM1042, DM1042A, DM1042B, C1142A, C1142B, C1142C, C2142A, C2142B or C2142C may be used on the E42 fireplace.



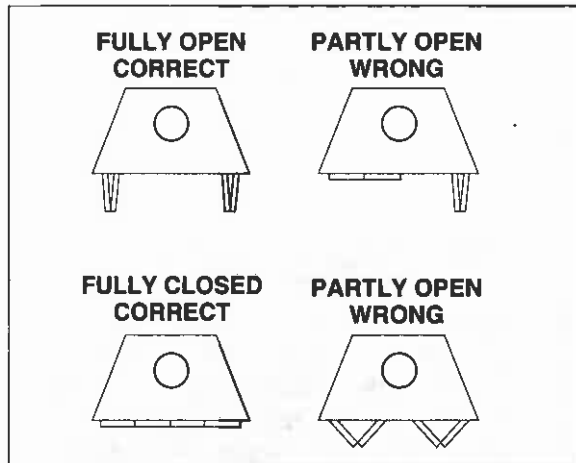


Figure 24
Recommended Operating Positions of Doors

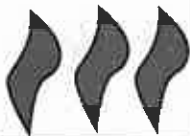
WARNING!

FIREPLACES EQUIPPED WITH DOORS SHOULD BE OPERATED ONLY WITH DOORS FULLY OPEN OR FULLY CLOSED. IF DOORS ARE LEFT PARTIALLY OPEN, GAS AND FLAME MAY BE DRAWN OUT OF THE FIREPLACE OPENING, CREATING THE RISK OF BOTH FIRE AND SMOKE.

WARNING!

CONTINUED OVER-FIRING CAN PERMANENTLY DAMAGE YOUR FIREPLACE SYSTEM. EXAMPLES OF OVER-FIRING ARE:

1. THE "NORMAL LOG FIRE" SHOULD BE CONTAINED IN THE GRATE, WITH THE LENGTH OF LOGS NO GREATER THAN THE BACK WALL OF THE FIREPLACE.
2. THE FOLLOWING MATERIALS MUST NOT BE USED IN THIS FIREPLACE: QUANTITIES OF SCRAP LUMBER, PINE BRANCHES, PROCESSED FIRE LOGS AND FIRE STARTERS, OR CARDBOARD BOXES WHICH EXCEED THE VOLUME OF THE "NORMAL LOG FIRE". THESE MATERIALS PRODUCE MANY SPARKS AND MUST NOT BE USED.



Before starting a fire in your E Series fireplace, use the following check list:

FLUE DAMPER. The flue damper is operated by moving the handle away from the front of the firebox, which should place the damper in a fully open position. Verify this by looking up from the inside of the firebox. Always operate this fireplace with the damper fully open. Please note, down drafts, obstructions, damage or poor (wet) fuels can cause smoke spillage.

CHIMNEY INSPECTION. Visually inspect the chimney internally for obstructions and construction damage. Flue pipe joints and seams must be continuous and mechanically tight. In a used chimney, additional inspection is needed for creosote build-up which is the formation of a flammable sediment.

When wood is burned slowly, it produces tar and other organic vapors, which combine with expelled moisture to form creosote. The creosote vapors condense in the relatively cool chimney flue of a slow-burning fire. As a result, creosote residue accumulates on the flue lining. When ignited, this creosote makes an extremely hot fire.

The chimney should be inspected at least twice a year during the heating season to determine if creosote build-up has occurred.

If creosote has accumulated, it should be removed to reduce the risk of a chimney fire.

CHIMNEY CLEANING. If you do detect a build-up of creosote, contact a qualified chimney sweep or clean it yourself. To do this, perform the following steps:

1. Open the damper.
2. Hang a damp sheet across the fireplace opening to stop dirt and soot from entering the room.
3. Remove the Terminal Cap or Housing Top. See Figure 25.
4. Clean with a stiff nylon brush attached to a pole OR tie a rope to a burlap bag filled with straw and several small stones or sand. Work up and down the flue until clean.
5. Replace the terminal cap or housing top.

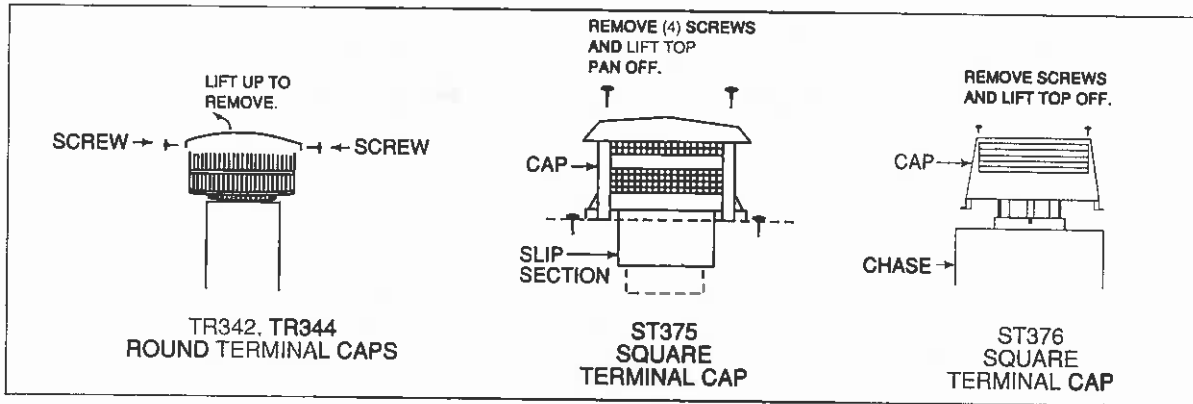


Figure 25
Terminal Caps

WARNING!

A CHIMNEY FIRE CAN PERMANENTLY DAMAGE YOUR CHIMNEY SYSTEM. THIS DAMAGE CAN ONLY BE REPAIRED BY REPLACING THE DAMAGED COMPONENT PARTS. CHIMNEY FIRES ARE NOT COVERED BY THE LIMITED WARRANTY AND BUYER PROTECTION PLAN.

CAUTION

WHEN LEFT CLOSED WHILE BURNING YOUR FIREPLACE, FIRE-SCREENS AND GLASS DOORS WILL BE HOT. HANDLE WITH CARE.

CLEAR SPACE NEAR FIREPLACE. The hearth extension must extend at least 16 inches to the front and 8 inches to the sides of the firebox opening for the E36 and E39 fireplaces; and 20" to the front and 12" to the sides of the firebox opening for the E42 fireplace. Combustible materials must not be stored in this area. Combustible walls perpendicular to the front of the fireplace must be at least 12 inches from the fireplace opening. Room furnishings such as drapes, curtains, chairs, or other combustibles must be at least 4 feet from the open front of the fireplace.

GRATE. The factory installed integral grate must be used to hold the logs from falling out of an open fireplace and to allow air to pass between the burning logs. It is important to keep the fire off the hearth and to allow the ashes to collect beneath the fire, thereby forming a layer of additional heat protection. See Figure 24. Use only model number GR4, GR5 or GR6 integral grate for replacement.

FIRESCREEN. A firescreen is always provided to control sparks. It must be closed whenever the fireplace is in use. Glass doors or firescreens must not be used to hold burning material inside the fireplace. Only those glass door units specifically tested and listed for use with the specific fireplace model should be used. Screens should be closed when the glass doors are closed.

NEGATIVE AIR PRESSURE WITHIN THE STRUCTURE This fireplace will operate correctly only if adequate ventilation is provided to allow proper draft to the fireplace system. Heatilator assumes no responsibility for the improper performance of the fireplace system caused by inadequate draft due to environmental conditions, downdrafts, tight sealing construction of the structure, or mechanical exhausting devices which create a negative air pressure within the structure where the fireplace is located.

OUTSIDE AIR. A damper control handle allows the individual control of the outside air inlets if your fireplace is equipped with this option. Use of outside air for combustion is highly recommended to conserve heated air within the structure and to provide make up air to keep the fireplace venting properly.





HEATILATOR INC. WOODBURNING FIREPLACE 20-YEAR BUYER PROTECTION PROGRAM

Heatilator, a Division of Hearth Technologies Inc., is pleased to offer the following Buyer Protection Program ("Program"), including a 5-year Limited Warranty and a 15-year Replacement Parts Advantage, for Heatilator® woodburning fireplaces installed in the United States of America or Canada. Dealers and employees of Heatilator have no authority to make any warranty or authorize any remedies in addition to or inconsistent with the terms of this Program. This Program gives you specific legal rights. You may also have other rights which vary from state to state or within Canada.

LIMITED WARRANTY. Heatilator, a Division of Hearth Technologies Inc. ("Heatilator"), warrants the following components of your Heatilator® woodburning fireplaces (the "Fireplace") to be free from any original defects in material and workmanship for a period of five years from the date of initial installation, when installed in accordance with the Installation Instructions and used in accordance with the Operating Instructions: firebox assembly, chimney system and roof termination.

REPLACEMENT PARTS ADVANTAGE. Although not a warranty, during the sixth through twentieth years after the initial installation, Heatilator Inc. will provide, pursuant to its Replacement Parts Advantage, repaid or replacement parts for defective components or optional components, if available, at 50% of the then current retail price. Heatilator shall have no responsibility for freight and labor charges related to such repair or replacement parts.

EXCLUSIONS AND QUALIFICATIONS. This Program applies only while the Fireplace is in its location of original installation. Heatilator's obligation under this Program does not extend to damages resulting from (1) installation, operation or maintenance of the Fireplace not in accordance with both the Installation Instructions and the Operating Instructions furnished with the Fireplace; (2) installation which does not comply with local building codes; (3) shipping, improper handling, improper operation, abuse, misuse, accident or unworkmanlike repairs; (4) inadequate ventilation or drafting caused by tight sealing construction of the structure, air handling devices such as exhaust fans or forced air furnaces, or other causes; (5) use of fuels other than those specified in the Operating Instructions; (6) installation or use of any non-Heatilator components not expressly authorized and approved by Heatilator; and/or (7) modification of the Fireplace not expressly authorized and approved by Heatilator.

THERE ARE NO IMPLIED WARRANTIES OF MERCHANTABILITY OR FITNESS FOR PARTICULAR PURPOSE.

LIMITATION OF LIABILITY. HEATILATOR'S OBLIGATION AND YOUR EXCLUSIVE REMEDY UNDER THE FIVE YEAR LIMITED WARRANTY, ANY OTHER WARRANTY EXPRESSED OR IMPLIED (INCLUDING MERCHANTABILITY) OR OTHERWISE SHALL BE LIMITED TO REPLACEMENT OR REPAIR AT HEATILATOR'S SOLE OPTION OF THE FIREPLACE OR COMPONENTS; PROVIDED, HOWEVER, THAT HEATILATOR HAS NO OBLIGATION TO REPAIR OR REPLACE ANY FIREPLACE OR COMPONENTS WHERE EITHER THE FIREPLACE OR ANY COMPONENT HAS BEEN REMOVED, REPAIRED OR REPLACED PRIOR TO HEATILATOR HAVING BEEN AFFORDED THE OPPORTUNITY TO INSPECT, REPAIR OR REPLACE THE FIREPLACE OR COMPONENT. DURING THE FIRST YEAR OF THE LIMITED WARRANTY, HEATILATOR WILL, AT ITS SOLE OPTION, REPAIR OR REPLACE DEFECTIVE COMPONENTS OR OPTIONAL COMPONENTS. DURING THE SECOND THROUGH FIFTH YEARS OF THE LIMITED WARRANTY, HEATILATOR WILL PROVIDE AT NO CHARGE REPAIR OR REPLACEMENT PARTS FOR DEFECTIVE COMPONENTS OR OPTIONAL COMPONENTS, EXCLUDING THE GRATE, WIRE MESH SCREEN, FAN SYSTEM, OUTSIDE AIR SYSTEM AND GLASS DOORS, WHICH HAVE A ONE YEAR LIMITED WARRANTY, AND EXCLUDING THE REFRACTORY FIREBOX LINERS, WHICH HAVE A TWO YEAR LIMITED WARRANTY. HEATILATOR SHALL HAVE NO RESPONSIBILITY FOR FREIGHT AND LABOR CHARGES RELATED TO SUCH REPAIR OR REPLACEMENT PARTS. DURING THE SIXTH THROUGH TWENTIETH YEARS AFTER INITIAL INSTALLATION, HEATILATOR'S SOLE OBLIGATION AND YOUR EXCLUSIVE REMEDY IS AS DESCRIBED IN THE REPLACEMENT PARTS ADVANTAGE SECTION ABOVE. IN NO EVENT SHALL HEATILATOR BE RESPONSIBLE FOR ANY INCIDENTAL OR CONSEQUENTIAL DAMAGES CAUSED BY DEFECTS IN THE FIREPLACE WHETHER SUCH DAMAGE OCCURS OR IS DISCOVERED BEFORE OR AFTER REPLACEMENT OR REPAIR, AND WHETHER SUCH DAMAGE WAS CAUSED BY HEATILATOR'S NEGLIGENCE.

HOW TO OBTAIN SERVICE. To obtain service under this Program, you must:

1. Send written notice of the claimed condition to Heatilator, Customer Relations Department, 1915 West Saunders Street, Mt. Pleasant, Iowa 52641.
2. Provide proof of purchase to Heatilator.
3. Provide Heatilator reasonable opportunity to investigate the claim, including reasonable opportunity to inspect the Fireplace prior to any repair or replacement work and before the Fireplace or any components of the Fireplace has been removed from the place of original installation.
4. Obtain Heatilator's consent to any warranty work before the work is done.

ADDITIONAL INFORMATION. If you would like information on current HEATILATOR products or want to locate a dealer in your area, simply call 1-800-843-2848.

©1995 Heatilator, a Division of Hearth Technologies Inc.