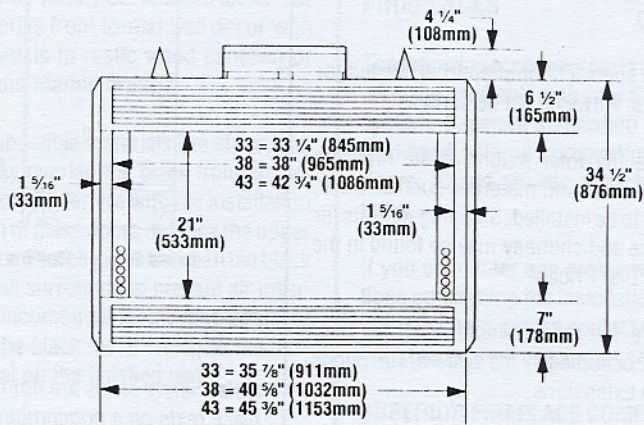
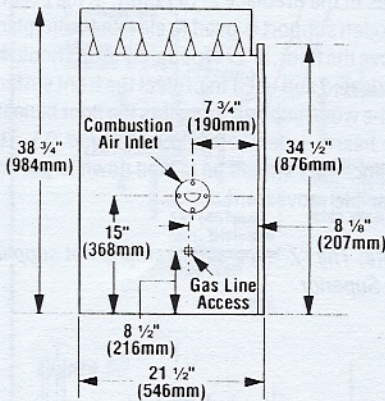


# FIREPLACE SPECIFICATIONS



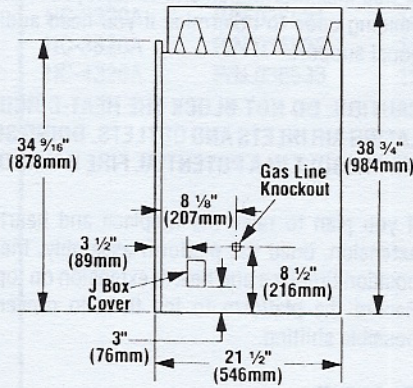
Front View

Figure 9



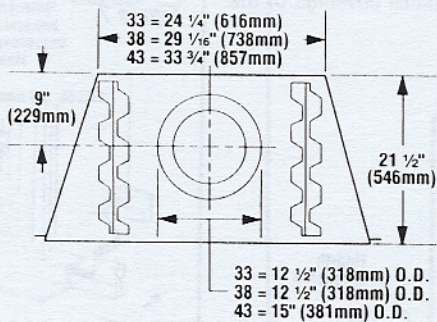
Left Side

Figure 10



Right Side

Figure 11



Top View

Figure 12

# FRAMING SPECIFICATIONS

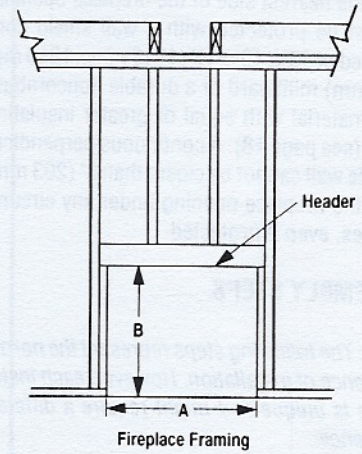


Figure 13

Fireplace Framing Dimensions

	Fireplace Opening Width		
	33"	38"	43"
A	36" (914 mm)	40 3/4" (1035 mm)	45 1/2" (1156 mm)
B	39" (991 mm)	39" (991 mm)	39" (991 mm)
C	24 1/4" (616 mm)	29 1/16" (738 mm)	33 3/4" (857 mm)
D	12 1/2" (318 mm)	14 1/2" (368 mm)	17" (432 mm)
E	68" (1727 mm)	72" (1829 mm)	77" (1956 mm)
F	33 7/8" (861 mm)	35 7/8" (911 mm)	38 3/8" (975 mm)
G	21 3/8" (543 mm)	21 3/8" (543 mm)	21 3/8" (543 mm)
H*	4" (102 mm)	4" (102 mm)	4" (102 mm)
J	9 3/4" (248 mm)	9 3/4" (248 mm)	9 3/4" (248 mm)
K	48" (1219 mm)	51" (1295 mm)	55" (1397 mm)

\* Combustion air kit CAK 4 (without adapter)