

Avanti B-Vent Gas Stove & Insert

AVALON™

Avanti B-Vent Body

Standard Features

Converts to 2 units - freestanding pedestal, insert as masonry or zero clearance

Ships as Natural Gas, Includes LP Conversion Kit

Standing Pilot/Piezo Igniter

30 Second Thermocouple Drop Out

Modular Burner Assembly

Adjustable Heat & Flame

24 Karat Gold Plated Door

Five-sided Convection Chamber

3/16" Steel Construction

Gold Door Now Swings Open for Easy Access

Realistic Log Set

Large Bayview Neoceram Viewing Glass

6" Simpson DuraVent Direct Vent

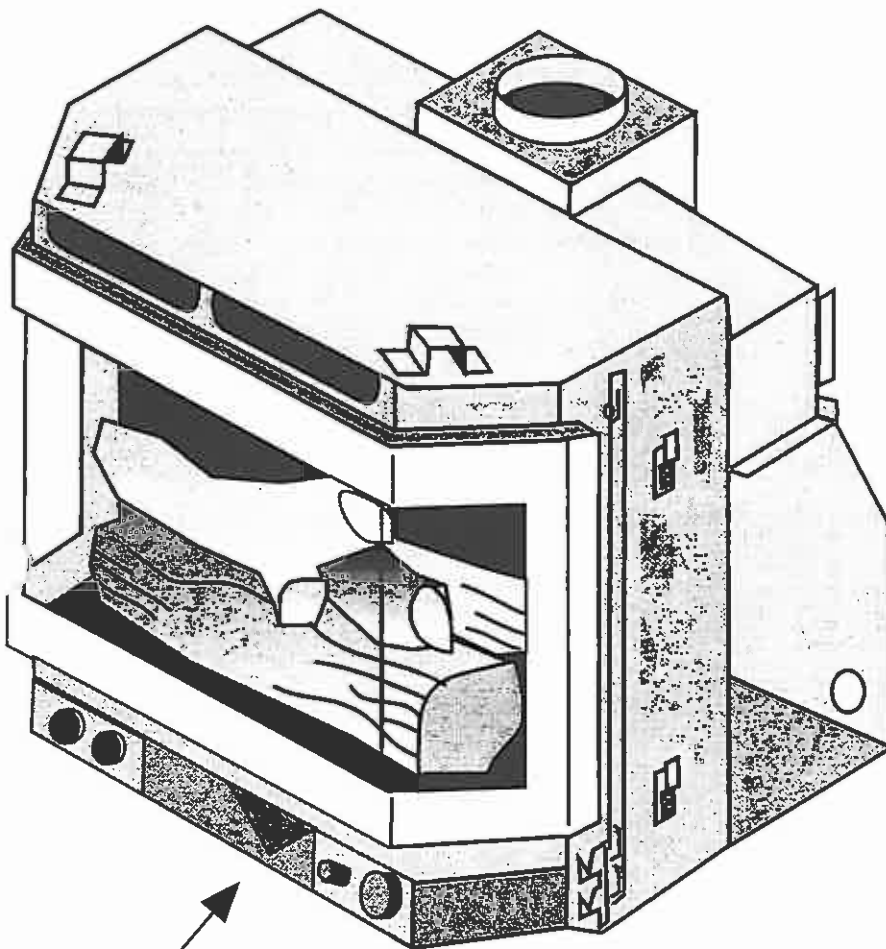
130 CFM Blower

Alcove & Hearth Heater Approved

*Finish Available in Metallic Black Paint and Almond or Hunter Green Porcelain Enamel
NEW Black Porcelain Enamel*

*Rated Input - 40,000 BTU/Hr. NG
- 38,000 BTU/Hr. LP*

*Steady State Efficiency - 80% NG
- 80% LP*

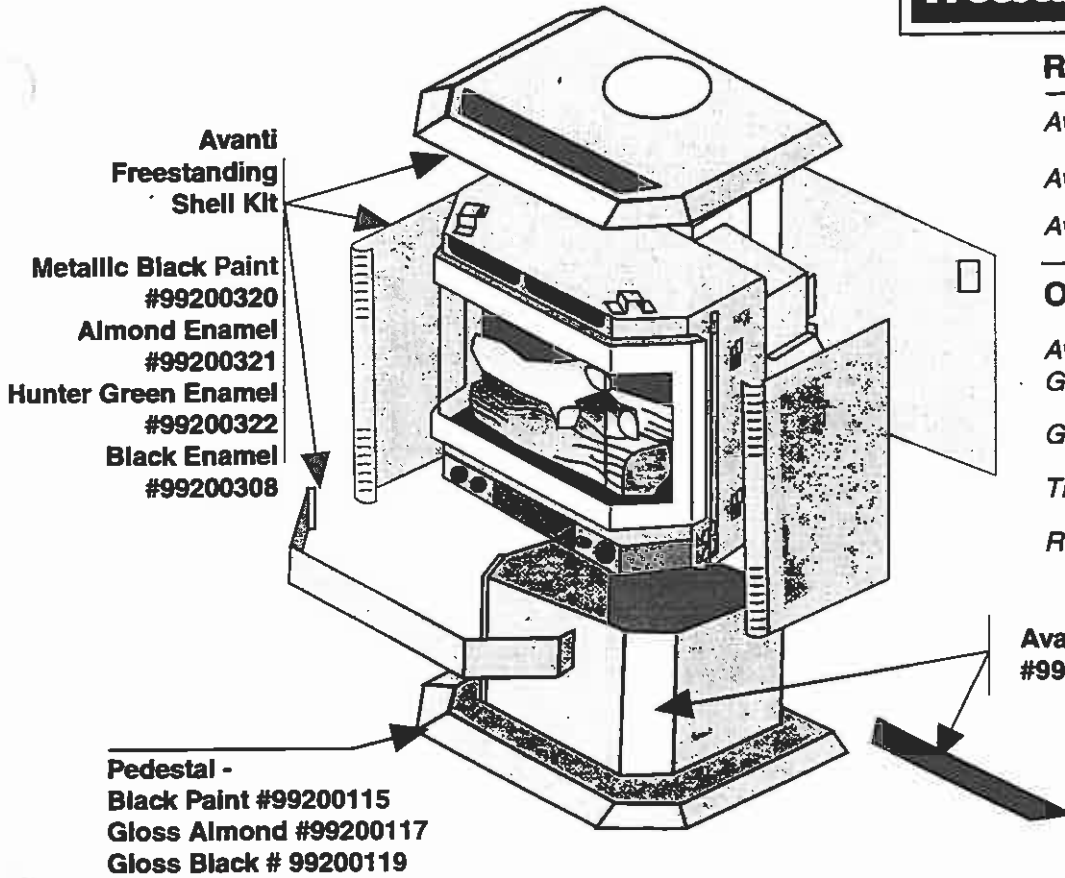


**B-Vent Body
#98700801**

**Used for both stove &
insert**

**Includes natural gas
burner, glass, logs, gold
door, fan & LP
conversion kit**

Freestanding on Pedestal



Required

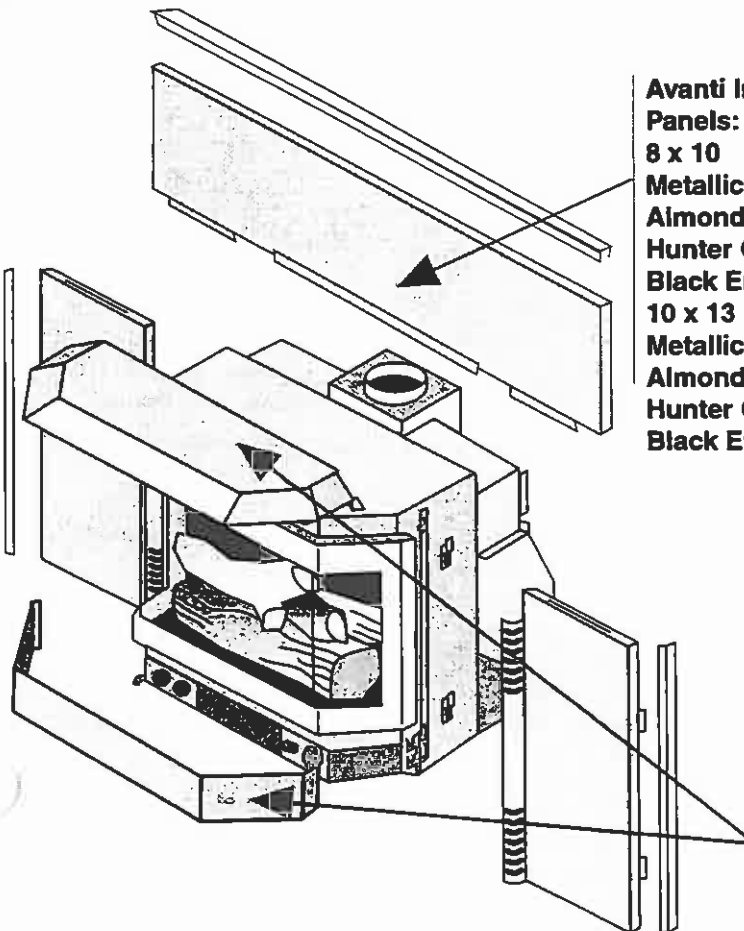
Avanti B-Vent Body
Avanti Freestanding Shell Kit
Avanti Pedestal - Black

Optional

Avanti Pedestal - Gloss Almond & Gloss Black
Gold Trim Kit - Grill & Pedestal Trim
Thermostat
Remote Control/Remote Thermostat

Avanti Gold TrimKit - #99200116

Fireplace Insert



Required

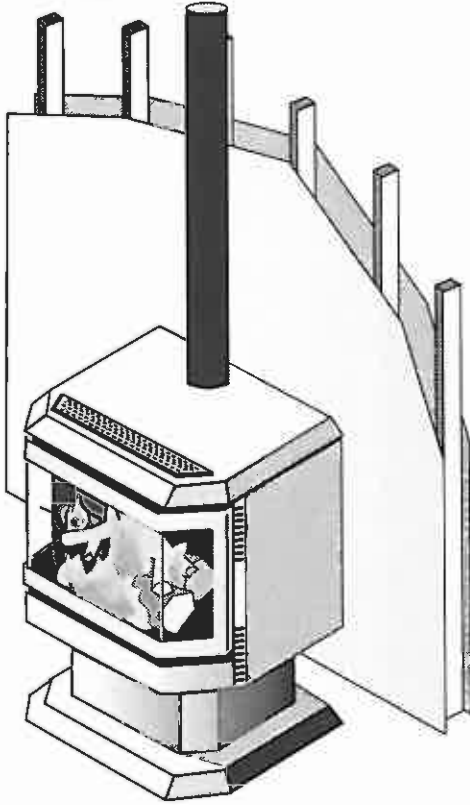
Avanti B-Vent Body
Avanti Insert Shell Kit
Avanti Panels

Optional

Thermostat
Remote Control/Remote Thermostat

AVANTI

By Avalon



B-Vent Gas Stove and Fireplace Insert

- Freestanding Stove
- Masonry Fireplace Insert
- Factory Built (Z.C.) Fireplace Insert



WARNING: Improper installation, adjustment, alteration, service or maintenance can cause injury or property damage. Refer to this manual. For assistance or additional information consult a qualified installer, service agency, or the gas supplier.

- Do not store or use gasoline or other flammable vapors and liquids in the vicinity of this or any other appliance.
- Installation must be performed by a qualified installer, service agency or the gas supplier

IF YOU SMELL GAS

- Do not try to light any appliance.
- Do not touch any electrical switch; do not use any phone in your building.
- Immediately call gas supplier from a neighbor's phone. Follow the gas supplier's instructions.
- If you cannot reach your gas supplier, call the fire department.

AVANTI B-VENT GAS HEATER

- February, 1997 -

installer: After installation give this manual to the homeowner and explain operation of this heater.

 **Travis Industries, Inc.**
10850 117th Place N.E. Kirkland, WA 98033