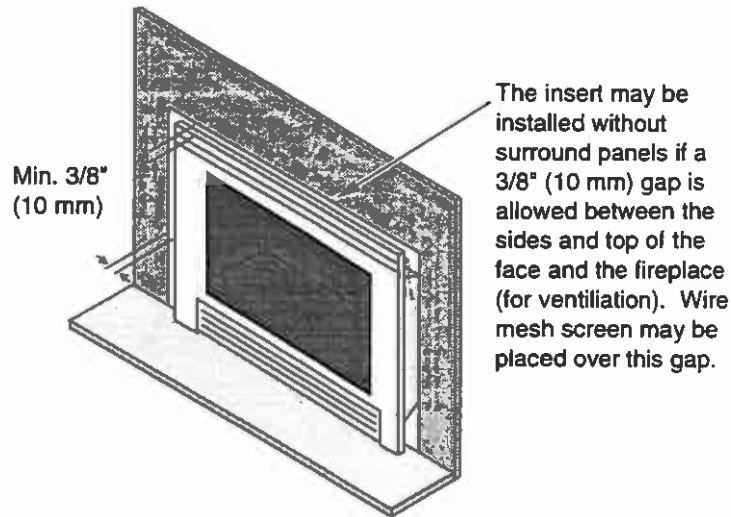


Using the DVS Insert Without Surround Panels

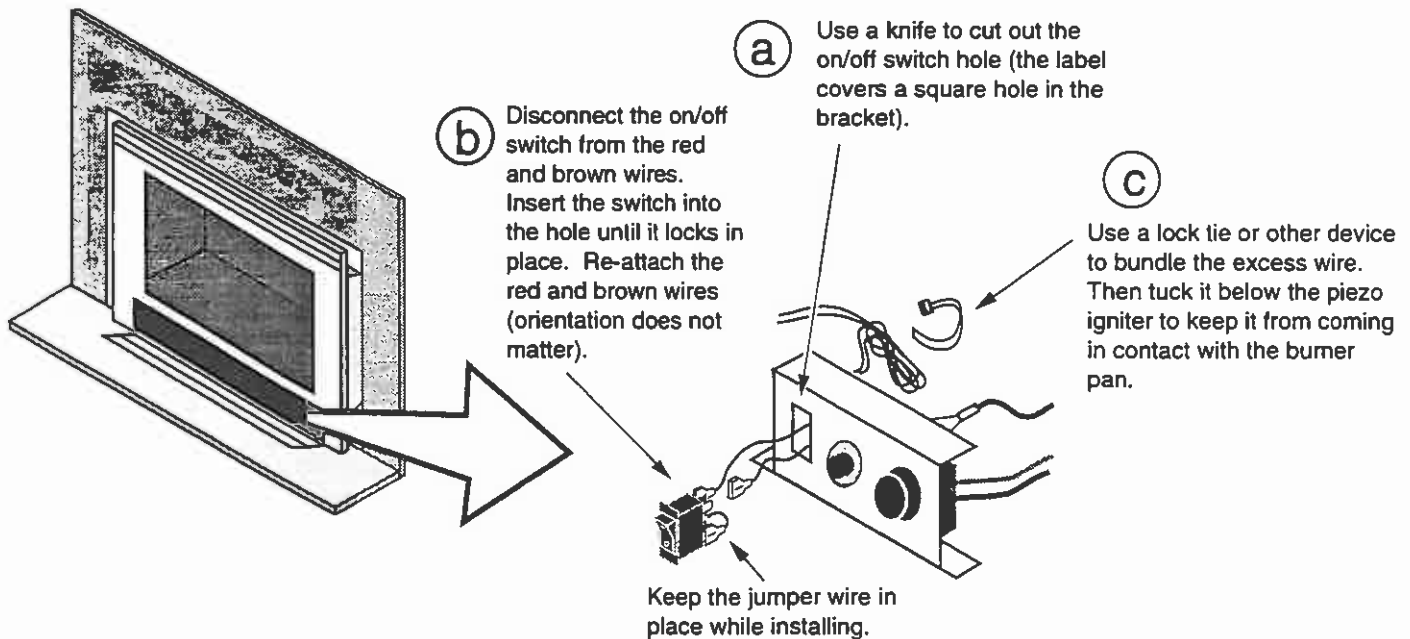
Follow the directions below if installing the Travis Industries DVS Insert without surround panels.

- 1 When placing the insert, make sure there is a 3/8" (10 mm) gap between the face and fireplace along the top and sides.

NOTE: placing the insert within the fireplace will alter the gas inlet and vent location in relation to the face of the fireplace (as listed in the owner's manual).



- 2 Instead of mounting the on/off switch to the surround panels, the on/off switch should be mounted to the control bracket. Follow the directions below to install.



CHECK CONDITION OF SHIPMENT

Upon receipt of this kit, check the condition of the packaging. Damage to the package should be noted on the carrier's freight receipt. Any damage claims as a result of shipping must be handled through the shipper. Travis Industries will provide assistance in resolving shipping claims or replacing items not included in the package. Please report any missing items immediately.

COMPATIBILITY

- Travis Ind. DVS Insert
- Travis Ind. DVS Fireplace

TOOLS REQUIRED FOR ASSEMBLY

- 5/16" Nutdriver

PACKING LIST

- Face
- Door
- Four 10-24 Thread-Cutting Screws

INSTALLATION INSTRUCTIONS

! Turn the gas control valve to "OFF" prior to conducting any service.

NOTE: The glass should be removed prior to installing the face.

- 1 On the DVS Insert, the panels must be installed prior to installing the face.
- 2 Install the face and door following the steps below.

