



heatilator®

The first name in fireplaces

Hearth & Home Technologies-Mt. Pleasant
1915 W. Saunders Street
Mt. Pleasant, Iowa 52641
Division, HON INDUSTRIES
www.heatilator.com

INSTALLATION & OPERATING INSTRUCTIONS

NOVUS SERIES

DIRECT VENT GAS APPLIANCE

ND3630/3933/4236/4842



For residential use - Meets all HUD requirements for manufactured housing installations.

WARNING: If the information in this manual is not followed exactly, a fire or explosion may result causing property damage, personal injury or loss of life.

- Do not store or use gasoline or other flammable vapors and liquids in the vicinity of this or any other appliance.
- What to do if you smell gas
 - Do not try to light any appliance.
 - Do not touch any electrical switch; do not use any phone in your building.
 - Immediately call your gas supplier from a neighbor's phone. Follow the gas supplier's instructions.
 - If you cannot reach your gas supplier, call the fire department.
- Installation and service must be performed by a qualified installer, service agency or the gas supplier.

CAUTION:

Do not expose the appliance to the elements (such as rain, etc.).

WARNING!

The fixed glass panel on the front of this appliance is extremely hot while it is in operation and for one hour after it has been shut off. A secondary barrier has been provided to prevent direct contact with the fixed glass panel. Do not operate this appliance with the barrier removed.

WARNING!

Improper installation, adjustment, alteration, service or maintenance can cause injury or property damage. Refer to this manual. For assistance or additional information, consult a qualified installer, service agency or the gas supplier.

Table of Contents

A. Appliance Specifications	3
B. Locations and Clearances	6
C. Framing	8
D. Setting the Appliance	8
E. Choosing Top Vent or Rear Vent	9
F. Venting - Horizontal Termination	11
G. Venting - Vertical Termination	15
H. Venting - Framing & Construction	17
I. Vent Assembly	19
J. Utilities	21
K. Finishing	24
L. Appliance Preparation	24
M. Determining the Ignition Type	26
N. Lighting Instructions	27
O. Seasonal Check List	29
P. Start-up Issues	30
Q. Maintenance Instructions	31
R. Optional Components	34
S. Replacement Parts	38
Index	39
Warranty	40

WARNING!

DO NOT use this appliance if any part has been under water. Immediately call a qualified service technician to inspect the appliance and to replace any part of the control system and any gas control which has been under water.

CAUTION:

Wear gloves and safety glasses for protection.

SAFETY PRECAUTIONS

1. Please read these installation instructions completely before beginning installation procedures. Failure to follow them could cause an appliance malfunction resulting in serious injury and/or property damage.
2. Always check your local building codes prior to installation. This installation must comply with all local, regional, state and national codes and regulations.
3. Installation and repair should be done by a qualified service person. This appliance should also be inspected annually by a qualified service person. More frequent inspections/cleaning may be required due to excessive lint from carpeting, bedding materials, etc. It is imperative that the control compartment, burners and circulating air passageways of the appliance be kept clean.
4. This is a vented decorative gas appliance. Do not burn wood or other material in this appliance.
5. NEVER leave children unattended when there is a fire burning in the appliance.
6. This appliance may only use the approved venting systems shown in these installation instructions. Venting must not be connected to chimney flue servicing a solid fuel burning appliance or a gas fuel burning appliance.
7. NEVER use gasoline, gasoline-type lantern fuel, kerosene, charcoal lighter fluid, or similar liquids in this appliance. Keep any flammable liquids a safe distance from the appliance.
8. While servicing this appliance, always shut off all electricity and gas to the appliance. This will prevent possible electrical shock or burns. Also, make sure the appliance is completely cooled before servicing.
9. Do not use this appliance if any part has been under water. Immediately call a qualified service technician to inspect the appliance and to replace any part of the control system and any gas control which has been under water.
10. Be sure to provide adequate clearances around the air openings into the combustion chamber and adequate accessibility clearances for servicing and proper operation.

A. APPLIANCE SPECIFICATIONS

1. U.S. AND CANADA CERTIFICATION

The NOVUS Series Gas Appliance has been tested in accordance with the ANSI standard Z21.88-2002 in the United States, the current CSA 2.33-2002 in Canada, and has been listed by Underwriters Laboratories Inc. for installation as described in this manual. All components are UL, AGA, CGA or CSA safety certified.

2. LOCAL CODES

This installation must conform with local codes. In the absence of local codes you must comply with the National Fuel Gas Code, ANSI Z223.1-latest edition in the U.S.A. and the CAN/CGA B149 Installation Codes in Canada.

The Novus Series gas appliance has been tested and listed for use in manufactured housing (mobile homes). These installation instructions conform with the *Manufactured Home Construction and Safety Standard, Title 24 CFR, Part 3280*, or when such a standard is not applicable, the *Standard for Manufactured Home Installations, ANSI A225.1*.

For assistance during installation contact your local dealer or contact the Heatilator Technical Services Department, Hearth & Home Technologies, 1915 W. Saunders Street, Mt. Pleasant, Iowa 52641, 1-800-843-2848.

HEATILATOR® and NOVUS™ are registered trademarks of Hearth & Home Technologies Inc.

Tools and building supplies normally required for installation:

Saw	Wall-finishing materials
Pliers	Framing material
Hammer	Surround
Phillips screwdriver	Caulking material
Tape measure	Gloves
Plumb line	Framing square
Level	Electric drill and bits
Safety glasses	

Note: Minimum and maximum clearances must be maintained at all times. Illustrations throughout these instructions reflect typical installations and are for design purposes only. Actual installation may vary slightly due to individual design preferences.

The illustrations and diagrams used throughout these installation instructions are not drawn to scale.

3. GLASS SPECIFICATIONS/CERTIFICATIONS

Heatilator gas appliances manufactured with tempered glass may be installed in hazardous locations such as bathtub enclosures as defined by the CPSC. The tempered glass has been tested and certified to the requirements of ANSI Z97.1-1984 and CPSC 16 CFR 1202. (Safety Glazing Certification Council SGCC# 1595 and 1597. Architectural Testing, Inc. Reports 02-31919.01 and 02-31917.01).

This statement is in compliance with SPCS 16 CFR Section 1201.5 "Certification and labeling requirements" which refers to 15 USC 2063 stating "...Such certificate shall accompany the product or shall otherwise be furnished to any distributor or retailer to whom the product is delivered."

Some local building codes require the use of tempered glass with permanent marking in such locations. Glass meeting this requirement is available from the factory. Please contact your dealer or distributor to order.

WARNING!

This appliance is tested and listed for use only with the optional accessories listed in these instructions. Use of optional accessories not specifically tested for this appliance could void the warranty and/or result in a safety hazard.

The first name in fireplaces

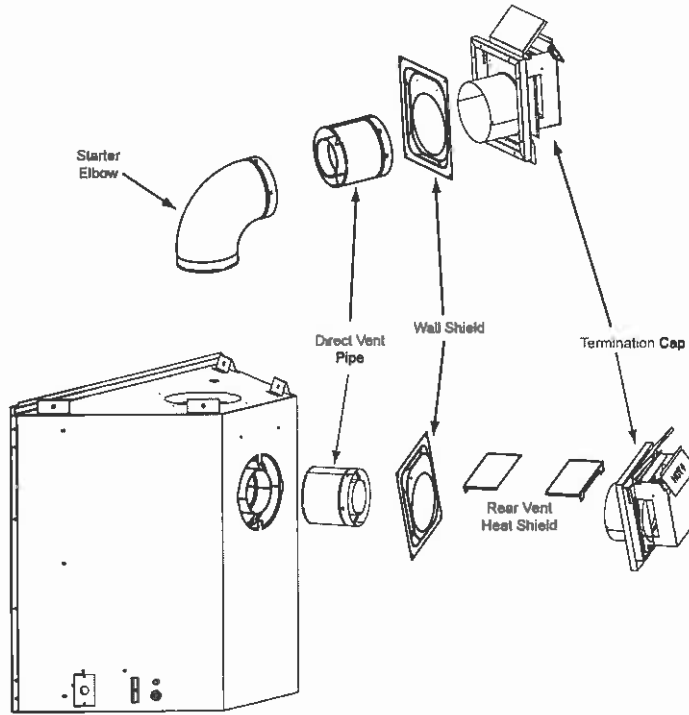
4. NOVUS NOMENCLATURE

Catalog #	Description
ND4236LE	Appliance Order Code Number
N	Novus
D	Direct Vent
4842	48 - 48" Framing Dimensions ... 42 - 42" Viewing Area
4236	42 - 42" Framing Dimensions ... 36 - 36" Viewing Area
3933	39 - 39" Framing Dimensions ... 33 - 33" Viewing Area
3630	36 - 36" Framing Dimensions ... 30 - 30" Viewing Area
LE	No suffix - Standing pilot, natural gas L - Standing pilot, propane gas E - Intermittent Pilot Ignition, natural gas LE - Intermittent Pilot ignition, propane gas
Components	Description
DVP45	45° elbow
DVP90	90° elbow
DVP90ST	90° starter elbow (should be the first 90° elbow used when top venting)
DVP4	4" length vent pipe
DVP6	6" length vent pipe
DVP12	12" length vent pipe
DVP24	24" length vent pipe
DVP36	36" length vent pipe
DVP48	48" length vent pipe
DVP6-9	6"-9" slip section vent pipe
DVP14-24	14"-24" slip section vent pipe
DVP12MI	12" vent pipe - non-unitized (can be cut to length)
DVP24MI	24" vent pipe - non-unitized (can be cut to length)
VS4	Vertical vent support
VSS2	Vinyl soffit shield
WS6	Wall shield to ensure horizontal clearances
FS6	Fireslop spacer
RF6	Roof flashing (vertical termination for 0/12 to 6/12 pitch)
RF7	Steep pitch roof flashing (for 7/12 to 12/12 pitch)
DVP-TB1	Basement vent cap
DVP-VT1	Horizontal termination cap
DVP-VT1X	Horizontal termination cap
CS	Cap shield
DVP-TV	Vertical termination cap
DVP-TH	Horizontal vent termination cap
DVP-TR	Horizontal termination cap with 5" collar length
DVP-TR2	Horizontal termination cap with 3.5" collar length
DVP-THK	Horizontal termination kit (VP-TH termination cap, VP6-9 section, VP90ST starter elbow, wall shield)
DVP-THK-MI	Horizontal termination kit (VP-TH termination cap, VP24MI vent section, VP90ST starter elbow, wall shield)
DVP-TRK	Rear vent kit (VP6-9 slip section, WS6 wall shield, VP-TR termination cap with heat shield)
DVP-TRK2	Rear vent kit (VP4, WS6 wall shield, VP-TR2 termination cap with heat shield)

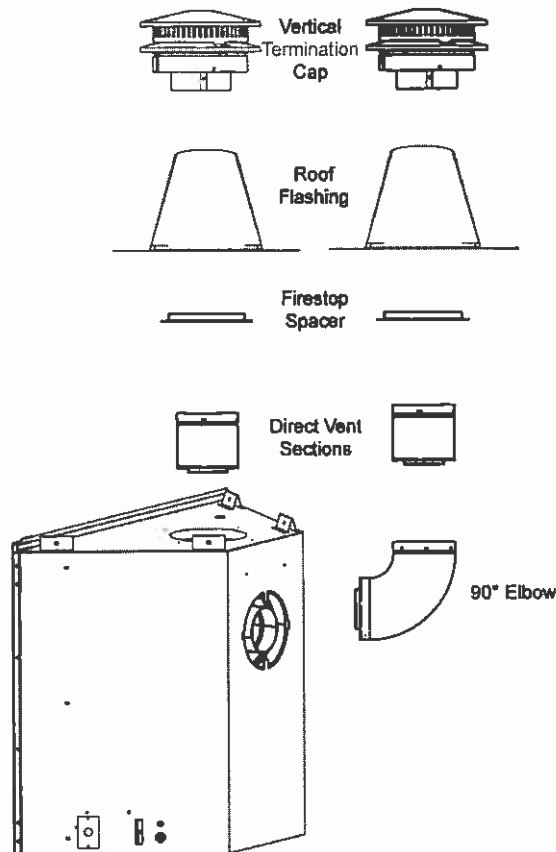
The first name in fireplaces

NOVUS DIRECT VENT INSTALLATION INSTRUCTIONS

TYPICAL HORIZONTAL INSTALLATIONS



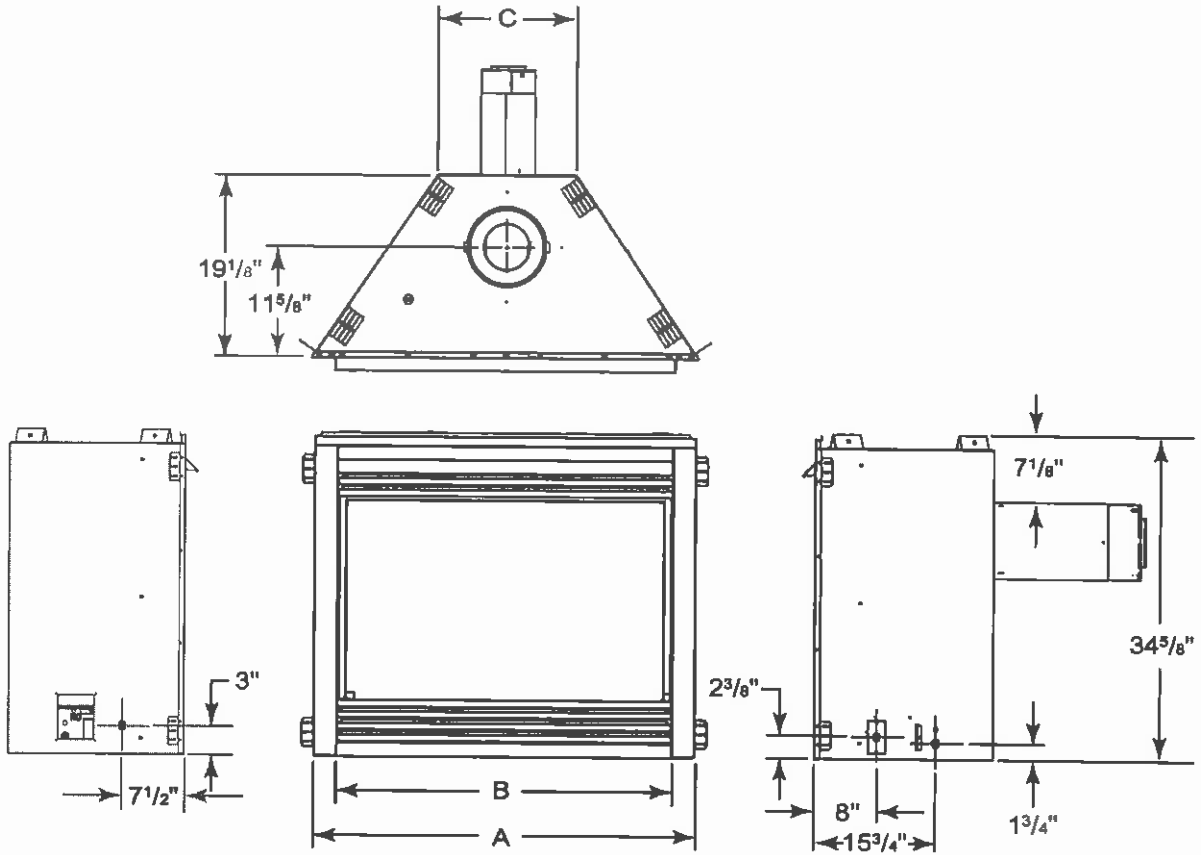
TYPICAL VERTICAL INSTALLATIONS



The first name in fireplaces

B. LOCATIONS AND CLEARANCES

1. APPLIANCE DIMENSIONS



Model	A	B	C
ND3630	35"	30"	8 ⁵ / ₈ "
ND3933	38"	33"	11 ⁵ / ₈ "
ND4236	41"	36"	14 ⁵ / ₈ "
ND4842	47"	42"	20 ⁵ / ₈ "

The first name in fireplaces

APPLIANCE LOCATIONS AND SPACE REQUIREMENTS

Figure 1 illustrates a variety of ways the appliance may be located in a room. The NOVUS Series may be installed directly on the floor or raised on a hearth. These appliances are certified for installation in a bedroom, bed/sitting room or in mobile homes in the U.S. and Canada.

These are rough framing dimensions only.

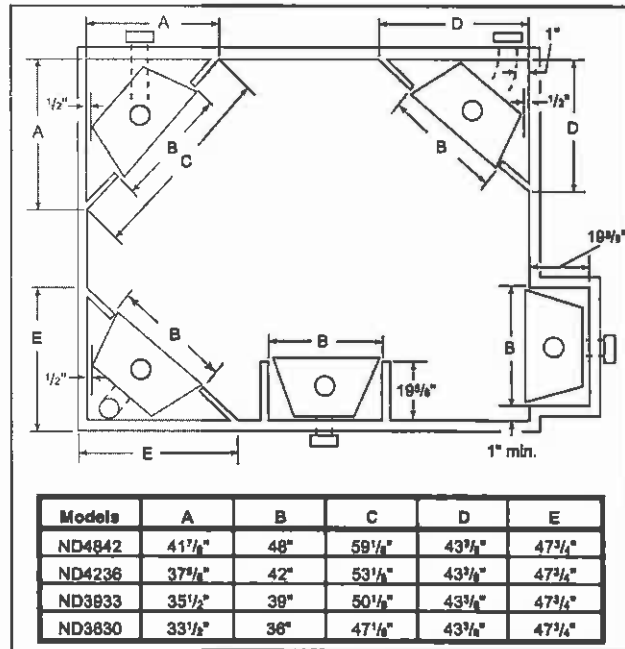


Figure 1 - Appliance Locations

WARNING!

Due to high temperatures, the appliance should be located out of traffic and away from furniture and draperies.

3. CLEARANCES

Figure 2 shows all clearances that must be maintained around the appliance. See "Termination Cap Locations" for termination cap clearances.

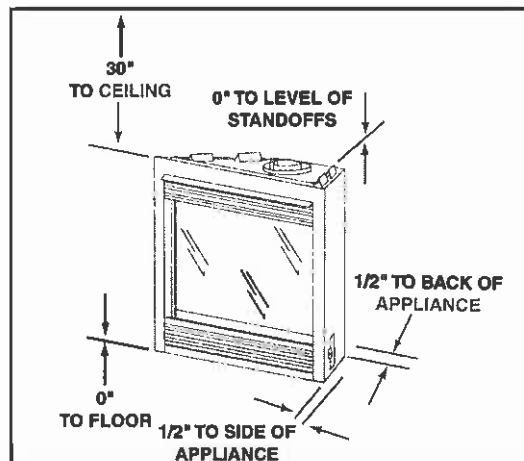


Figure 2
Appliance Clearances to Combustible Materials

CAUTION:

Provide adequate clearances around the air openings into the combustion chamber and adequate accessibility clearances for servicing and proper operation.

The first name in fireplaces

C. FRAMING

Figure 3 shows a typical framing of this appliance using combustible materials. Figure 4 shows the mantel heights for mantel projections. All required clearances to combustibles must be adhered to.

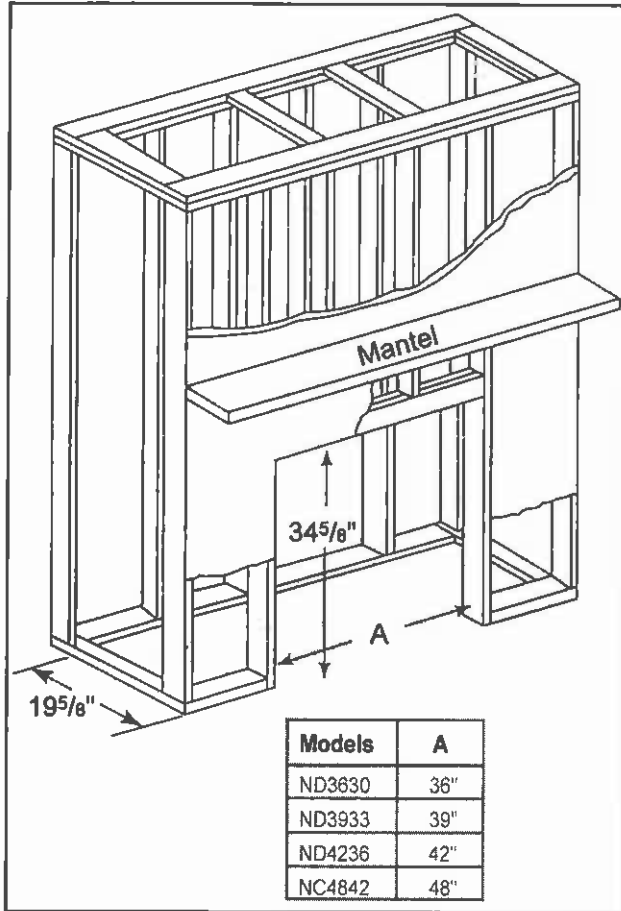


Figure 3 - Framing

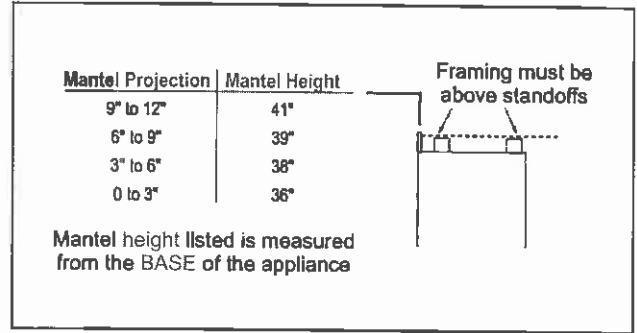


Figure 4 - Mantel Heights



D. SETTING THE APPLIANCE

This appliance may be placed on a smooth combustible or noncombustible continuous, flat surface. When the appliance is installed directly on carpeting, tile or other combustible material other than wood flooring, the appliance shall be installed on a metal or wood panel extending the full width and depth of the appliance. Slide the appliance into position and level the appliance from side-to-side and front-to-back. Shim with noncombustible material as necessary.

Secure the appliance by bending out the nailing flanges on each side of the appliance and nail to framing. The nailing flanges have been positioned 5/8 inch back from the front of the appliance to allow the addition of drywall.