

### Compatibility:

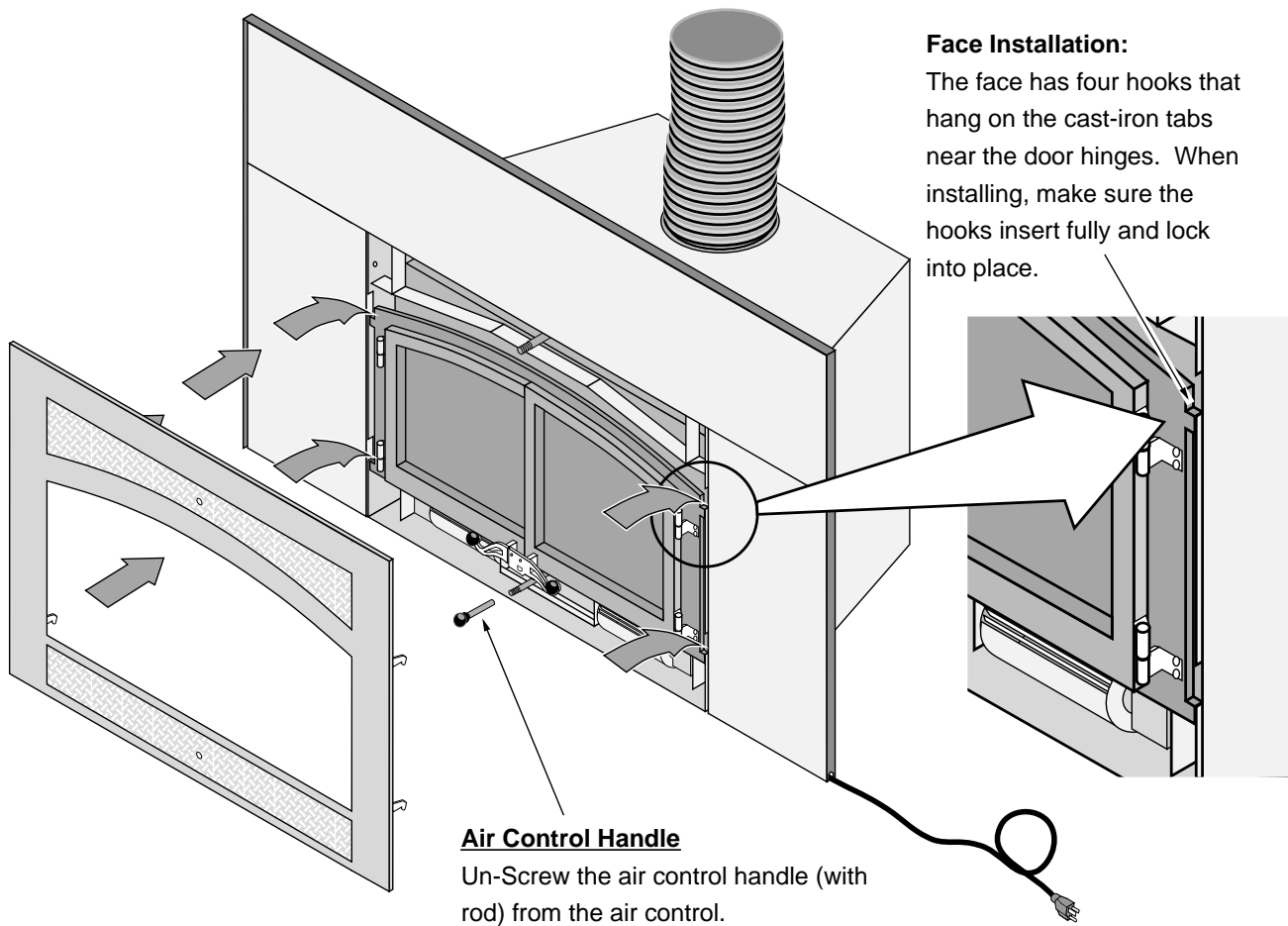
- Flush Wood Insert

### Packing List:

- Face
- Bypass Handle
- Emblem
- Shield
- (2) Nuts

### Installation

- 1 Before installing, the insert should be in place with the surround panels attached. Install the face following the directions below.



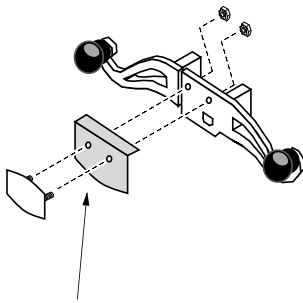
2 Install the bypass handle, air control handle, emblem, and shield following the directions below.

### **Bypass Handle**

Screw the bypass handle onto the damper control rod.

### **Handle Shield Installation**

Use the two nuts (included with the face) to secure the handle shield and emblem to the right side handle.

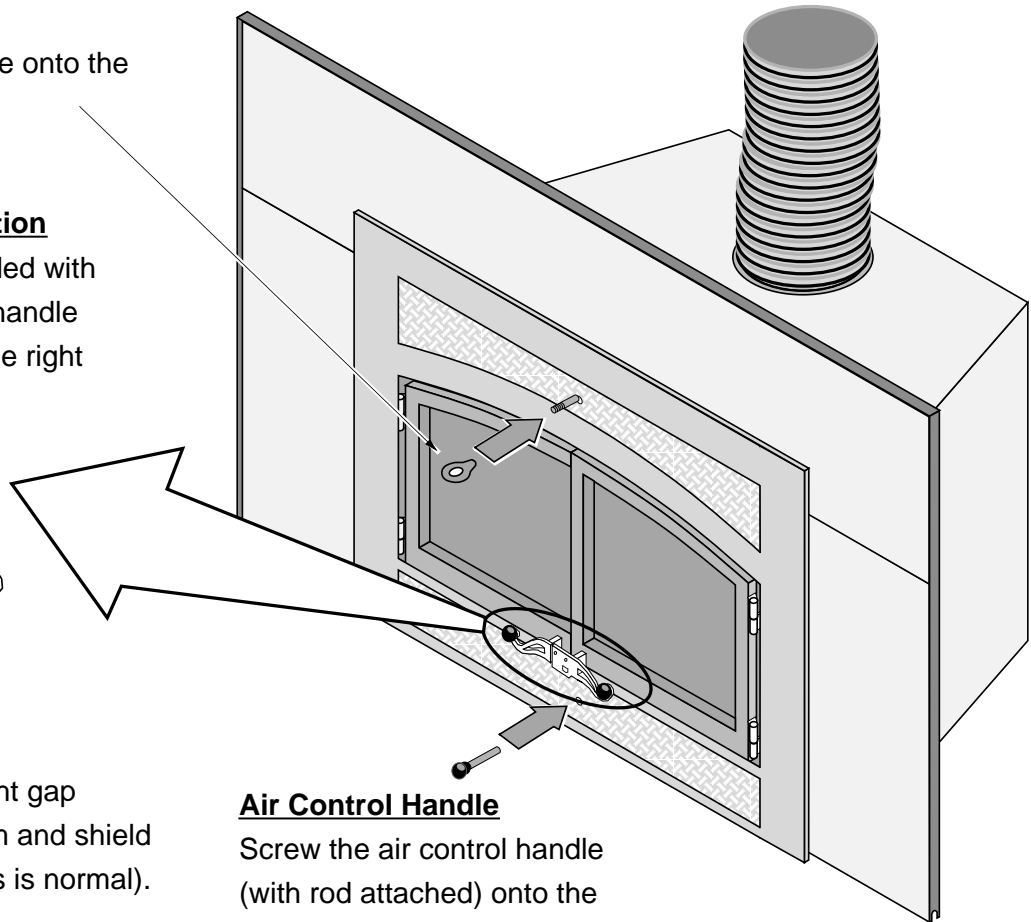


### **NOTE:**

There may be a slight gap between the emblem and shield after installation (this is normal).

### **Air Control Handle**

Screw the air control handle (with rod attached) onto the air control.



### **Plated Surfaces**

Use denatured alcohol and a soft cloth to clean plated surfaces. Marks left on the surface may damage the face.

