



heatilator®

The first name in fireplaces

Hearth & Home Technologies-Mt. Pleasant
1915 W. Saunders Street
Mt. Pleasant, Iowa 52641
Division, HON INDUSTRIES
www.heatilator.com

INSTALLATION & OPERATING INSTRUCTIONS

NOVUS SERIES B-VENT GAS APPLIANCE NB3630/3933/4236/4842



WARNING: If the information in this manual is not followed exactly, a fire or explosion may result causing property damage, personal injury or loss of life.

- Do not store or use gasoline or other flammable vapors and liquids in the vicinity of this or any other appliance.
- What to do if you smell gas
 - Do not try to light any appliance.
 - Do not touch any electrical switch; do not use any phone in your building.
 - Immediately call your gas supplier from a neighbor's phone. Follow the gas supplier's instructions.
 - If you cannot reach your gas supplier, call the fire department.
- Installation and service must be performed by a qualified installer, service agency or the gas supplier.

CAUTION:

Do not expose the appliance to the elements (such as rain, etc.).

WARNING!

The fixed glass panel on the front of this appliance is extremely hot while it is in operation and for one hour after it has been shut off. A secondary barrier has been provided to prevent direct contact with the fixed glass panel. Do not operate this appliance with the barrier removed.

WARNING!

Improper installation, adjustment, alteration, service or maintenance can cause injury or property damage. Refer to this manual. For assistance or additional information, consult a qualified installer, service agency or the gas supplier.

Table of Contents

Design and Installation Considerations for B-Vents	3
A. Appliance Specifications	4
B. Locations and Clearances	6
C. Framing	8
D. Setting the Appliance	8
E. Venting	9
F. Utilities	13
G. Finishing	16
H. Appliance Preparation	16
I. Determining the Ignition Type	18
J. Lighting Instructions	19
K. Seasonal Check List	21
L. Maintenance Instructions	23
M. Optional Components	26
N. Replacement Parts	30
Index	31
Warranty	32

WARNING!

DO NOT use this appliance if any part has been under water. Immediately call a qualified service technician to inspect the appliance and to replace any part of the control system and any gas control which has been under water.

CAUTION:

Wear gloves and safety glasses for protection.

SAFETY PRECAUTIONS

1. Please read these installation instructions completely before beginning installation procedures. Failure to follow them could cause an appliance malfunction resulting in serious injury and/or property damage.
2. Installation and repair should be done by a qualified service person. This appliance should also be inspected annually by a qualified service person. More frequent inspections/cleaning may be required due to excessive lint from carpeting, bedding materials, etc. It is imperative that the control compartment, burners and circulating air passageways of the appliance be kept clean.
3. This is a vented decorative gas appliance. Do not burn wood or other material in this appliance.
4. **NEVER** leave children unattended when there is a fire burning in the appliance.
5. This appliance must be vented with a 5" B-vent system and must terminate above the roof line. Venting must not be connected to a chimney flue servicing a solid fuel burning appliance.
6. Use only the fuel gas specified on the rating label of this gas appliance.
7. The appliance area shall be kept clear and free from combustible materials, gasoline and other flammable vapors and liquids.
8. While servicing this appliance, always shut off all electricity and gas to the appliance. This will prevent possible electrical shock or burns. Also, make sure the appliance is completely cooled before servicing.
9. Do not use this appliance if any part has been under water. Immediately call a qualified service technician to inspect the appliance and to replace any part of the control system and any gas control which has been under water.
10. Be sure to provide adequate clearances around the air openings into the combustion chamber and adequate accessibility clearances for servicing and proper operation.
11. Provisions shall be made to provide adequate combustion and ventilation air. The flow of combustion and ventilation air should not be obstructed.

DESIGN AND INSTALLATION CONSIDERATIONS FOR B-VENTS

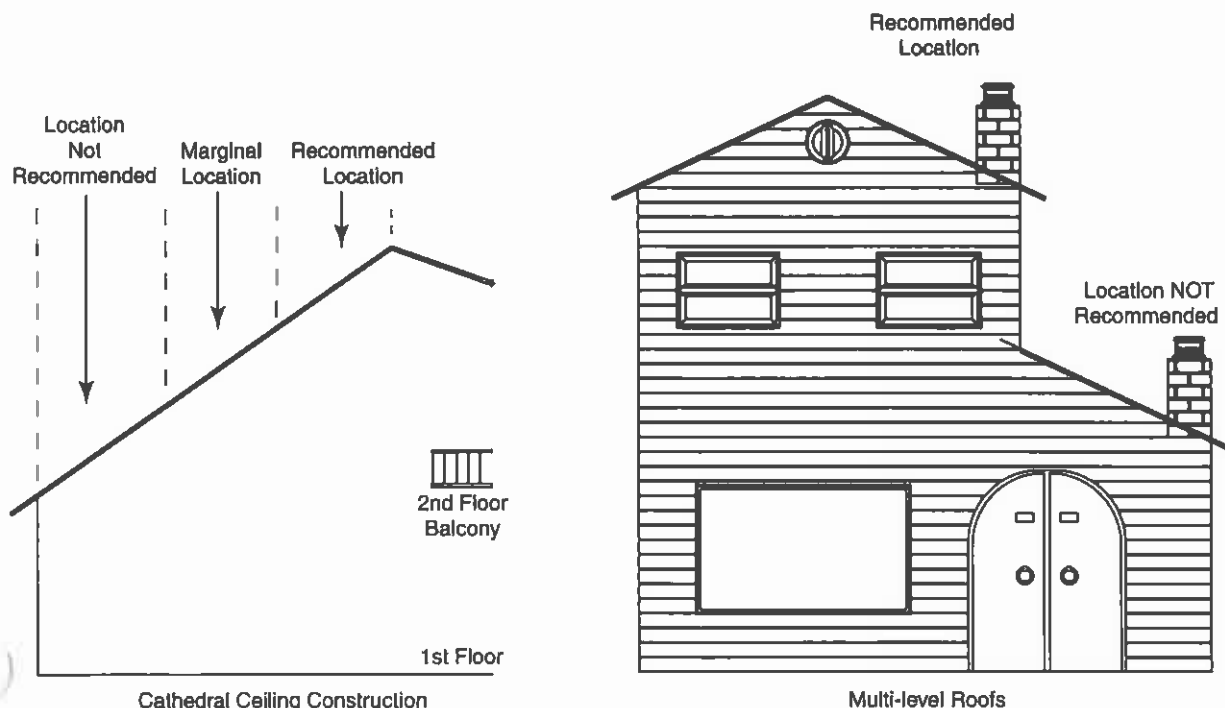
When selecting a location for your B-Vent appliance, it is important to evaluate a number of considerations. Modern construction techniques can create conditions that may not allow your vent to draft properly. This may result in spillage from your B-Vent appliance, as well as cause other combustion appliances to operate incorrectly.

Tightly sealed construction is important for energy efficiency. Unfortunately, a great deal of effort has been directed to tightening up sidewall construction, while considerably less attention has been paid to tightening upper portions of the warm air envelope (insulated ceilings). This has increased the "Stack Effect", a condition that increases the negative pressure generated by the structure. This negative pressure will directly affect the drafting performance of a B-Vent appliance vent. To minimize the negative pressure generated by stack effect, make certain that all ductwork installed in the attic spaces is sealed airtight. Minimize the number of recessed light fixtures installed in the insulated ceiling and use sealed recessed light fixtures. Finally, make certain the whole house fans and attic access panels are tightly sealed. These are important design considerations that must be observed during the design and construction stage of the home.

If you desire to put an appliance in your basement, we recommend that you consider a direct vent gas appliance. Basements always have a significant negative air pressure that causes the B-Vent system to be more susceptible to spillage and cold flue backdrafting. Since direct vent gas appliances are sealed, they are not affected by the negative pressure that exists in basements.

Finally, a B-Vent appliance performs best when the vent (roof termination) is located on the upper half of the roof, especially when cathedral ceilings are present. Vents that are located on the lower half of the roof realize what is known as "lazy flue" and will not draft as well as a vent that is located in the upper portion of the roof. The reason for this is that the stack effect generated by the overall height of the living spaces inside the house will exceed the draft generated by the vent system. If you desire to place an appliance in a location where the termination cap would be located on the lower half of a roof; such as on an outside wall at the base of a cathedral ceiling, we recommend that you consider using a direct vent gas appliance. This will ensure an appliance that operates correctly.

These properties do not affect just your B-Vent appliance. They can cause any woodburning fireplace as well as any conventionally vented (B-Vent) gas appliance to operate improperly. Careful planning at this stage of your project will ensure satisfaction with the operation of your appliance once it is completed.



The first name in fireplaces

A. APPLIANCE SPECIFICATIONS

1. U.S. AND CANADA CERTIFICATION

The NOVUS Series Gas Appliance has been tested in accordance with the ANSI standard Z21.88-2002 in the United States, the current CSA 2.33-2002 in Canada, and has been listed by Underwriters Laboratories Inc. for installation as described in this manual. All components are UL, AGA, CGA or CSA safety certified.

2. LOCAL CODES

This installation must conform with local codes. In the absence of local codes you must comply with the **National Fuel Gas Code, ANSI Z223.1-latest edition** in the U.S.A. and the **CAN/CGA B149 Installation Codes** in Canada.

For assistance during installation contact your local dealer or contact the Heatilator Technical Services Department, Hearth & Home Technologies, 1915 W. Saunders Street, Mt. Pleasant, Iowa 52641, 1-800-843-2848.

HEATILATOR[®] and NOVUS[™] are registered trademarks of Hearth & Home Technologies Inc.

Tools and building supplies normally required for installation:

Saw	Wall-finishing materials
Pliers	Framing material
Hammer	Surround
Phillips screwdriver	Caulking material
Tape measure	Gloves
Plumb line	Framing square
Level	Electric drill and bits
Safety glasses	

Note: Minimum and maximum clearances must be maintained at all times. Illustrations throughout these instructions reflect typical installations and are for design purposes only. Actual installation may vary slightly due to individual design preferences.

The illustrations and diagrams used throughout these installation instructions are not drawn to scale.

3. GLASS SPECIFICATIONS/CERTIFICATIONS

Heatilator gas appliances manufactured with tempered glass may be installed in hazardous locations such as bathtub enclosures as defined by the CPSC. The tempered glass has been tested and certified to the requirements of ANSI Z97.1-1984 and CPSC 16 CFR 1202. (Safety Glazing Certification Council SGCC# 1595 and 1597. Architectural Testing, Inc. Reports 02-31919.01 and 02-31917.01).

This statement is in compliance with SPCS 16 CFR Section 1201.5 "Certification and labeling requirements" which refers to 15 USC 2063 stating "...Such certificate shall accompany the product or shall otherwise be furnished to any distributor or retailer to whom the product is delivered."

Some local building codes require the use of tempered glass with permanent marking in such locations. Glass meeting this requirement is available from the factory. Please contact your dealer or distributor to order.

NOVUS NOMENCLATURE

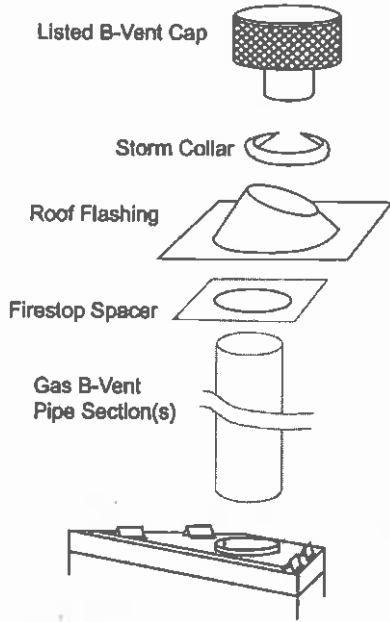
Catalog #	Description
NB4236LE	Appliance Order Code Number
N	Novus
B	B-Vent
4842	48 - 48" Framing Dimensions ... 42 - 42" Viewing Area
4236	42 - 42" Framing Dimensions ... 36 - 36" Viewing Area
3933	39 - 39" Framing Dimensions ... 33 - 33" Viewing Area
3630	36 - 36" Framing Dimensions ... 30 - 30" Viewing Area
LE	No suffix - Standing pilot, natural gas L - Standing pilot, propane gas E - Intermittent Pilot Ignition, natural gas LE - Intermittent Pilot Ignition, propane gas
AK14	Outside Air Kit (highly recommended, not supplied)

WARNING!

This appliance is tested and listed for use only with the optional accessories listed in these instructions. Use of optional accessories not specifically tested for this appliance could void the warranty and/or result in a safety hazard.

The first name in fireplaces

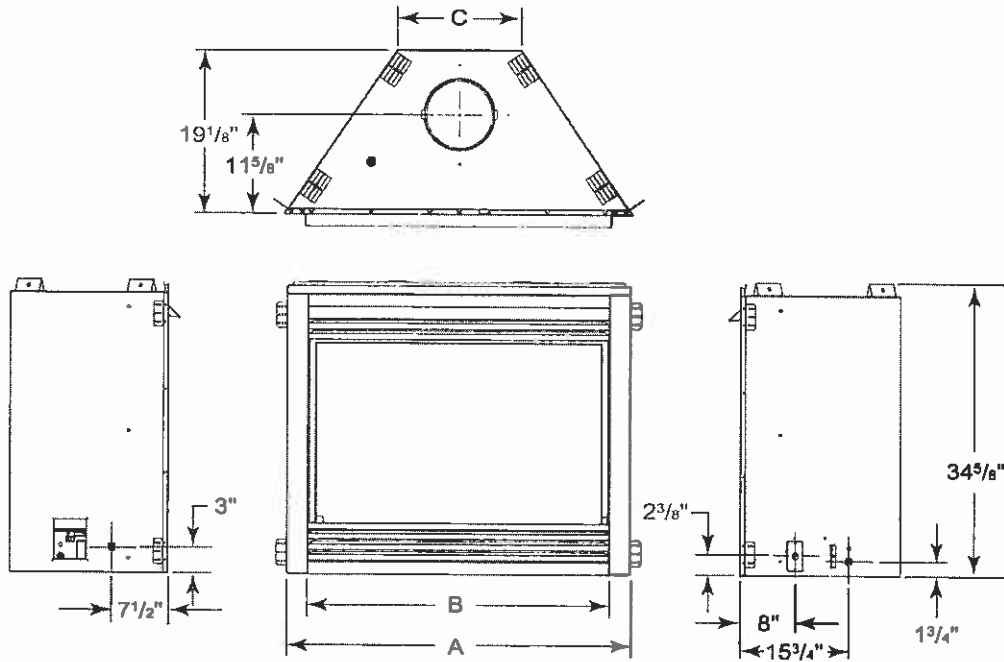
5. TYPICAL HORIZONTAL INSTALLATIONS



We strongly recommend that you **DO NOT** install B-Vent Gas Appliances in strong negative air locations, such as a basement or a public facility. Living rooms with cathedral ceilings could be susceptible to a negative air situation, but such installations can be overcome through raising the termination, depending on specific installations. This appliance uses room air for normal operation and could have problems establishing a positive draft in a negative air location. In lieu, we recommend a Direct Vent Gas Appliance.

B. LOCATIONS AND CLEARANCES

1. APPLIANCE DIMENSIONS



Model	A	B	C
NB3630	35"	30"	8 5/8"
NB3933	38"	33"	11 5/8"
NB4236	41"	36"	14 5/8"
NB4842	47"	42"	20 5/8"

The first name in fireplaces

APPLIANCE LOCATIONS AND SPACE REQUIREMENTS

Figure 1 illustrates a variety of ways the appliance may be located in a room. The NOVUS Series may be installed directly on the floor or raised on a hearth. These appliances are certified for installation in a bedroom, bed/sitting room or bathrooms in the U.S. and Canada, provided the room has a volume of at least 1500 cubic feet.

Common venting of this gas appliance with other gas appliances is not allowed in multifamily dwellings.

These are rough framing dimensions only.

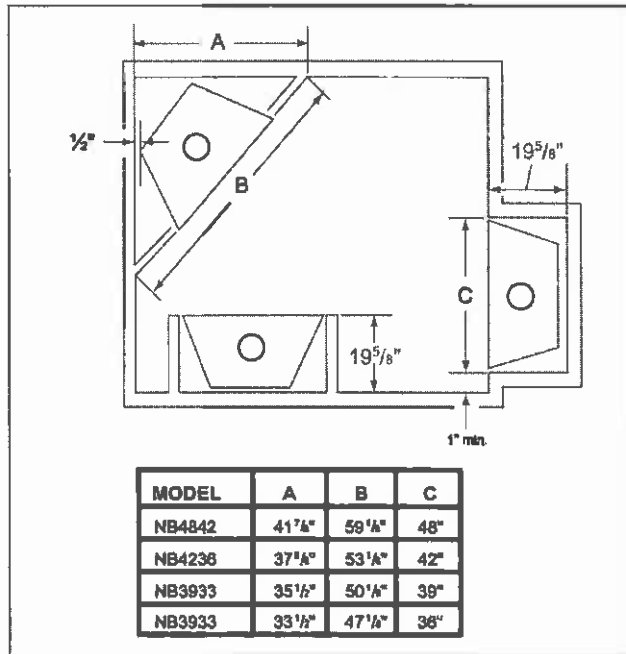


Figure 1 - Appliance Locations

WARNING!

Due to high temperatures, the appliance should be located out of traffic and away from furniture and draperies.

3. CLEARANCES

Figure 2 shows all clearances that must be maintained around the appliance.

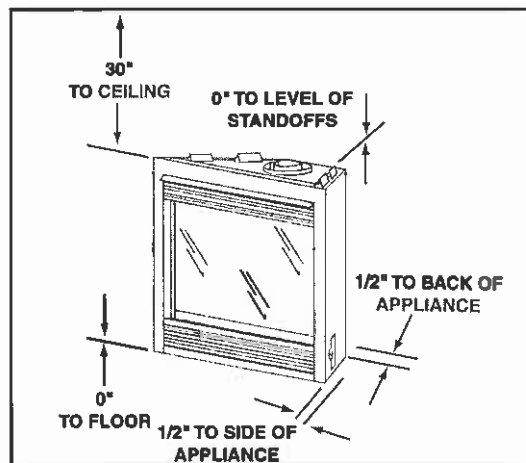


Figure 2
Appliance Clearances to Combustible Materials

CAUTION:

Provide adequate clearances around the air openings into the combustion chamber and adequate accessibility clearances for servicing and proper operation.

The first name in fireplaces

C. FRAMING

Figure 3 shows a typical framing of this appliance using combustible materials. Figure 4 shows the mantel heights for mantel projections. All required clearances to combustibles must be adhered to.

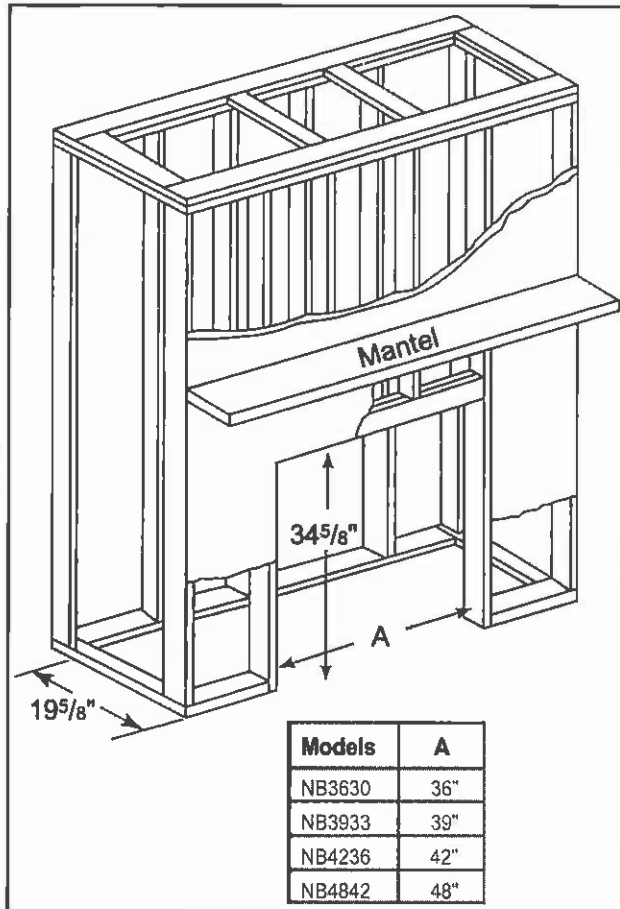
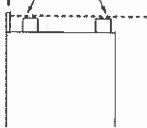


Figure 3 - Framing

Mantel Projection	Mantel Height
9" to 12"	41"
6" to 9"	39"
3" to 6"	38"
0 to 3"	36"

Framing must be above standoffs



Mantel height listed is measured from the BASE of the appliance

Figure 4 - Mantel Heights

WARNING!
To prevent contact with sagging or loose insulation, the appliance must not be installed against vapor barriers or exposed insulation. Localized overheating could occur and a fire could result.

D. SETTING THE APPLIANCE

This appliance may be placed on a smooth combustible or noncombustible continuous, flat surface. When the appliance is installed directly on carpeting, tile or other combustible material other than wood flooring, the appliance shall be installed on a metal or wood panel extending the full width and depth of the appliance. Slide the appliance into position and level the appliance from side-to-side and front-to-back. Shim with noncombustible material as necessary.

Secure the appliance by bending out the nailing flanges on each side of the appliance and nail to framing. The nailing flanges have been positioned 5/8 inch back from the front of the appliance to allow the addition of drywall.