



COMFORTEC™

Product Fact Sheet

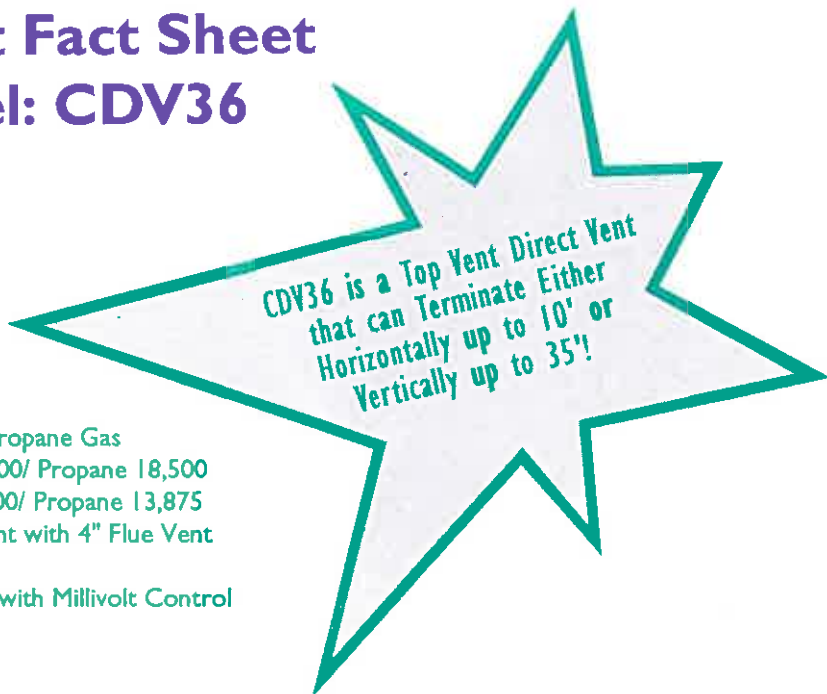
Model: CDV36

Box Size:

Front Width	36 1/4"
Rear Width	23 5/8"
Depth	16 3/8"
Height	34 3/8"
Height (Including Standoffs)	37 3/4"

Specification Data:

Fuel	Natural or Propane Gas
BTU Input	Natural 26,000/ Propane 18,500
BTU Output	Natural 18,500/ Propane 13,875
Flue Size	7" Outer Vent with 4" Flue Vent
Ignition System	Piezo
Valve	Robertshaw with Millivolt Control
Clearance to Combustibles	Zero
Clearance to Flue	1"



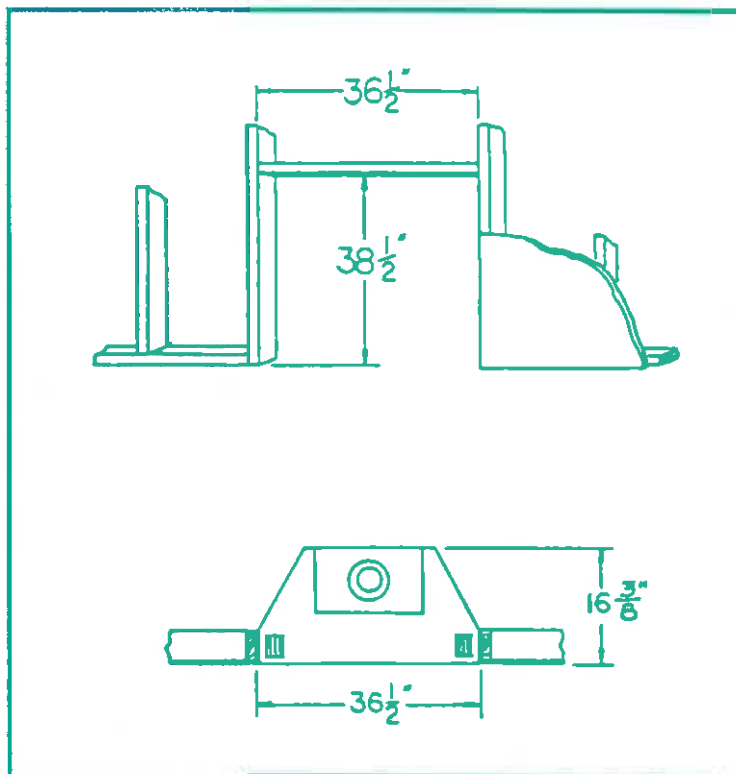
Features:

- Five Year Warranty
- Ceramic Glass
- Wall Mount Remote Switch (No Electricity Required)
- Five Bark Texture Logs
- Aluminized Steel Burn Chamber
- Mobile Home Approved
- Bedroom Approved
- Flame Safety Switch
- Safety Combustion Relief Door
- Front Flame With Glowing Embers
- Right or Left Side Gas Hook-up

Options:

- Hand-held Cordless Remote Control
- 125 CFM Variable Speed Blower
- Polished Brass Arch Trim Kit
- Polished Brass Decorative Trim Kit
- Polished Brass Wide Trim Kit
- Antique Brass Decorative Trim Kit
- Polished Chrome Decorative Trim Kit
- Brass Bar Kit
- 45° Elbow
- Siding Shield for use with Vinyl Siding
- Horizontal Direct Vent Termination Kit
- Vertical Direct Vent Termination Kit
- Snorkel Direct Vent Kit - Below Grade Install
- Adjustable Pipe - 6" to 58"
- Solid Pipe - 36"

Framing Dimensions:



Orrville Products, 375 East Orr Street, P.O. Box 902, Orrville, Ohio 44667
Phone (216) 683-4010 or (800) 722-4010