

EFEL NORTH AMERICA, INC.

Assembly, Installation, Operating, and Maintenance Instructions

KAMINA WOOD STOVE

Model: 079.66

and

KAMINA T WOOD STOVE

Model: 080.66

© EFEL NORTH AMERICA, INC.
4 Cummings Park
Woburn, Mass. 01801

EFEL KAMINA WOOD 079.66

EFEL KAMINA T 080.66

SPECIAL NOTE

The installation of a barometric damper is recommended for all free standing wood stoves, providing the installation is in a newly constructed all fuel chimney^{fall} of creosote deposits. The barometric damper is an automatic device designed to regulate the draft in a heating appliance which in turn stabilizes the chimney temperatures and decreases the amount of creosote build up, lessening the potential of chimney fires. Do not place the barometric damper greater than two (2) feet above the unit. Excessive draft will lead to poor control of the burning rate and possible overfiring of the stove. Most barometric dampers are calibrated in inches of water column and can be set to draft requirements of -.03 to -.08 inches.

READ INSTRUCTIONS CAREFULLY BEFORE STARTING.

EFEL NORTH AMERICA, INC.

ASSEMBLY, INSTALLATION, OPERATING, AND MAINTENANCE INSTRUCTIONS

EFEL KAMINA WOOD 079.66

EFEL KAMINA T 080.66

READ ALL INSTRUCTIONS COMPLETELY BEFORE BEGINNING.

UNIT MUST BE PROPERLY ASSEMBLED AND INSTALLED OR LISTING WILL BE VOID.

INSTALLATIONS OTHER THAN THOSE SPECIFICALLY COVERED HEREIN HAVE NOT BEEN CONFIRMED BY TEST AND ARE NOT COVERED BY THE LISTING.

UNIT MUST BE INSTALLED PER ALL LOCAL CODES. A BUILDING PERMIT MUST BE OBTAINED BEFORE INSTALLING.

SAVE THESE INSTRUCTIONS FOR FUTURE REFERENCE.

EFEL KAMINA WOOD 079.66

EFEL KAMINA T 080.66

ASSEMBLY INSTRUCTIONS

Your unit requires some assembly.

1. Remove all parts from shipping carton and check for damaged or missing parts. If any damaged pieces are found, contact the shipping company immediately. Do not install unit using damaged parts.

The following parts should be included with each unit:

- One (1) assembled room heater
- One (1) flue collar with damper installed
- Four (4) legs
- One (1) front grate retainer
- One (1) optional cooking grate
- One (1) accessory tool
- One (1) slicing knife (Kamina T Only)
- One (1) wall storage bracket
- One (1) package of bolts, screws and nuts

An optional Coal Conversion Kit (Part Number 080.66C) may also be purchased for the Kamina T only.

2. Place your heater on a soft surface. If working on a carpeted floor, it is advisable to protect the carpeting with an old blanket or sheet.
3. Carefully tilt the unit on its back. Attach the four legs to the corners of the bottom of the unit. Attach each leg by aligning the hole of the leg with its respective hole on the bottom of the unit. Insert a bolt and a lock through these holes and tighten. See Illustration No. 1.

EFEL KAMINA WOOD 079.66

EFEL KAMINA T 080.66

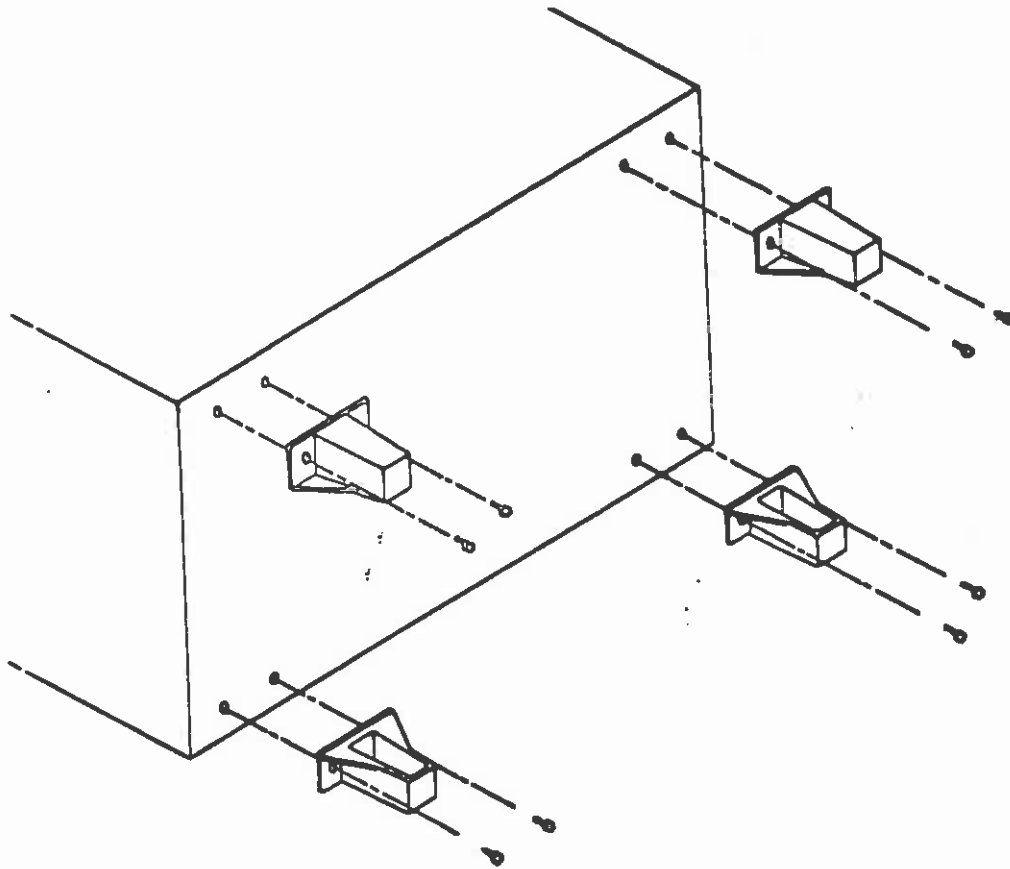


ILLUSTRATION NO. 1

4. Place the heater in its upright position.
5. Mount the 8 inch flue collar on the upper rear portion of the unit by using six screws. Note that the mounting holes on the stove are tapped so no nuts are needed. Make certain that the flue collar gasket is properly seated in place before tightening the screws.
6. If you have purchased the Kamina T model 080.66 and wish to operate it with coal fuels, then you must install the optional coal conversion kit (Part Number 080.66) before firing the unit. This coal conversion kit includes two side plates and one back plate.

EFEL KAMINA WOOD 079.66

EFEL KAMINA T 080.66

To install the coal kit, first install the right side plate (Part Number 078.66.08) so that it butts against the right side liner and is held stationary by the two stops on the hearthplate. Note that the top edge of the plate must be placed under the ledge formed by the side feed opening. Next, install the left side plate (Part Number 078.66.07) with the bottom of the plate against the two stops on the left side of the hearth. Finally, install the back liner (Part Number 078.66.06) by lowering the plate down between the back of the unit and the retainer ribs on the side liners. The lifting tab should be facing forward. Refer to illustration No. 2.

Note: The two side plates are not reversible and therefore can not be switched around.

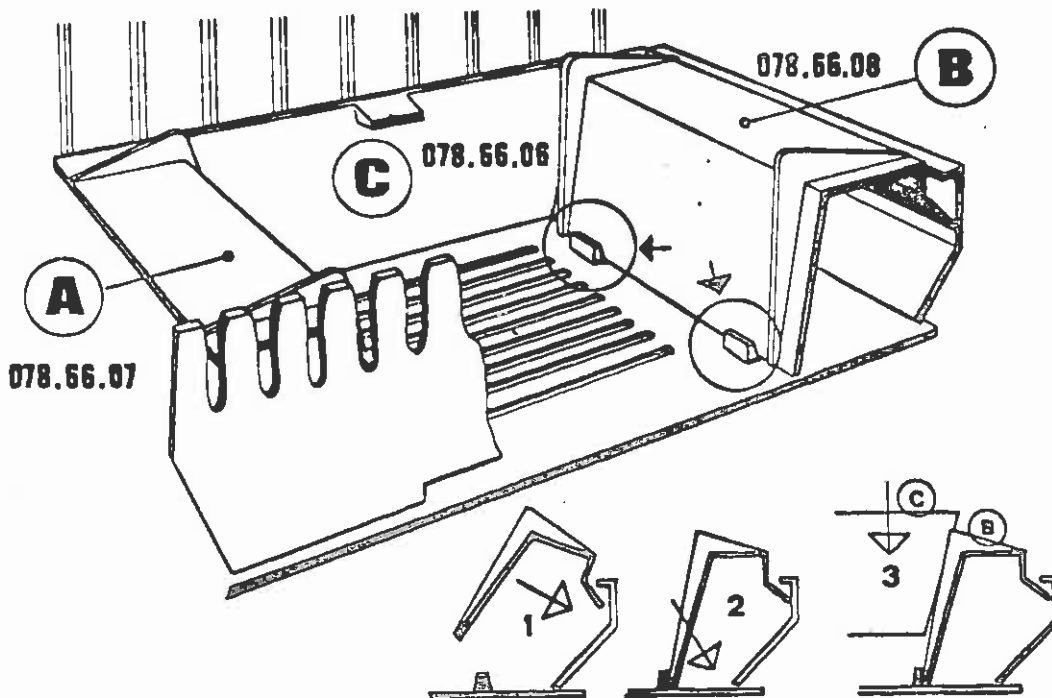


ILLUSTRATION NO. 2

7. Install the front grate retainer by opening the front door and setting the retainer on top of the front grate pickets.
8. Read the Installation, Operating, and Maintenance Instructions.

EFEL KAMINA WOOD 079.66

EFEL KAMINA T 080.66

INSTALLATION INSTRUCTIONS

DO NOT INSTALL IN A MOBILE HOME

READ ALL INSTRUCTIONS CAREFULLY BEFORE STARTING THE INSTALLATION

UNIT MUST BE PROPERLY INSTALLED OR LISTING WILL BE VOID

INSTALLATIONS OTHER THAN THOSE SPECIFICALLY COVERED HEREIN HAVE NOT BEEN CONFIRMED BY TEST AND ARE NOT COVERED BY THE LISTING.

STANDARD INSTALLATION:

1. Install an 8 inch diameter, 24 gauge black or blued steel elbow on the flue collar of the unit. Rotate the elbow so the open end is pointing straight upward.
2. Position the unit to comply with the minimum clearances to combustible materials. Minimum clearances are shown from the chimney connector (elbow). Check that no overhead cross members in the ceiling or roof will be cut. Reposition unit if necessary being careful not to move closer than the minimum clearances.

The minimum clearances to combustible materials are as follows:

- a. 38 inches to the left side wall as measured from the left side of the chimney connector.
- b. 30 inches to the back wall as measured from the back of the chimney connector.
- c. 36 inches to the right side wall as measured from the side feed door.
- d. 48 inches to the nearest furniture or drapery as measured from any portion of the unit or chimney connector.

See illustration No. 3.

EFEL KAMINA WOOD 079.66

EFEL KAMINA T 080.66

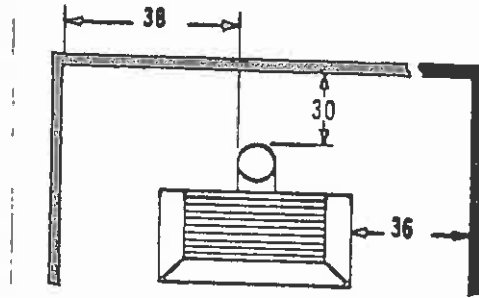


ILLUSTRATION NO. 3

3. Install chimney and accessories through ceiling and roof directly above the unit per chimney manufacturer's instructions. Chimney must be Underwriters Laboratories Listed 8 inch Low Heat Residential Appliance Type Chimney (All Fuel). Before chimney is installed, use a "plumb-bob" to assure that chimney is directly above elbow on unit. See Typical Installation, Illustration No. 4.

EFEL KAMINA WOOD 079.66

EFEL KAMINA T 080.66

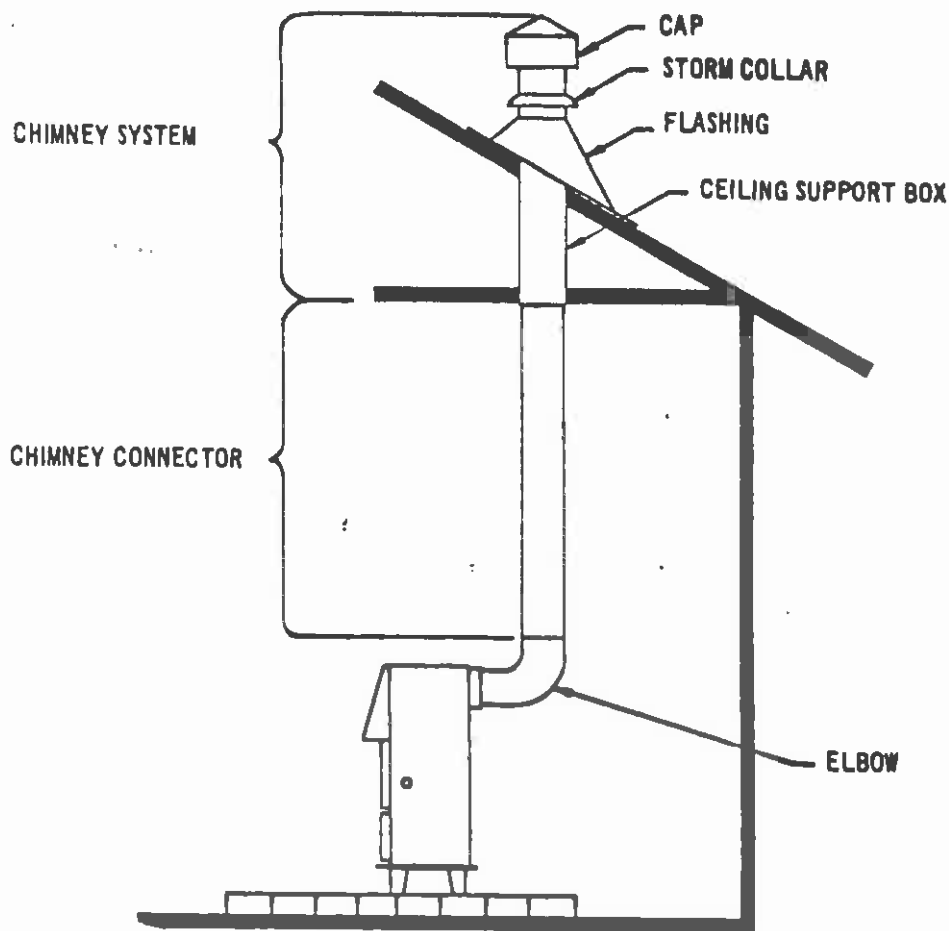


ILLUSTRATION NO. 4

4. A non-combustible floor protector (hearth extension) must be installed under the unit. The floor protector must be a minimum single layer of 2-½ inch thick common solid brick, over 26 gauge sheet metal, or equivalent. Brick must be mortared or otherwise suitably fastened in place. Check with local building authorities as to what other materials are acceptable. The floor protector must extend a minimum of 16 inches beyond the front opening, 16 inches beyond the side feed opening, 8 inches beyond the back of the chimney connector and 8 inches beyond the left side of the unit. Mark the position of the required floor protector on the floor. See Illustration No. 5.

EFEL KAMINA WOOD 079.66

EFEL KAMINA T 080.66

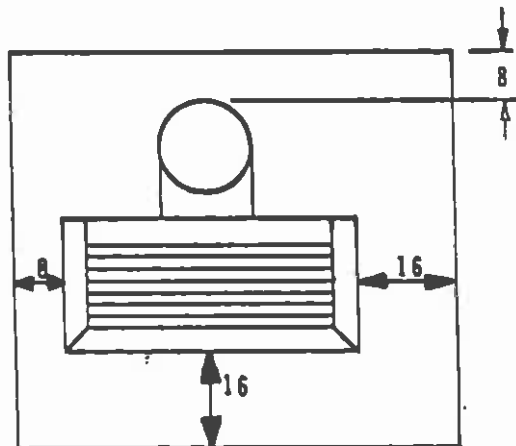


ILLUSTRATION NO. 5

5. Remove unit and install the floor protector.
6. Position unit on the floor protector at the proper clearances with the elbow directly under the chimney.
7. Slide a section of chimney connector up into the chimney several inches. Install additional sections of chimney connector as needed between the elbow and the connector section slid up into the chimney. The crimped ends should all point down. Position all seams toward the back for aesthetics.

The chimney connector must be 8 inch diameter black or blued steel; of 24 gauge minimum.

NOTE: For the State of Massachusetts, all chimney connectors must be 22 gauge minimum black or blued steel.

8. Slide the top section of chimney connector down to engage the lower section of chimney connector. The top section of chimney connector must still extend up into the chimney a minimum of 2 or 3 inches.
9. Check that all clearances are still within the allowable.
10. Secure adjoining sections of chimney connector and elbow to each other with three stainless steel metal screws equally spaced around each joint. Secure elbow to flue collar using holes provided. DO NOT secure chimney connector to chimney with screws.

