

EFEL NORTH AMERICA, INC.

Assembly, Installation, Operating, and Maintenance Instructions

KAMINETTE WOOD STOVE

Model: 079.63

©EFEL NORTH AMERICA, INC.
5709 Stearns Hill Road
Waltham, Mass. 02154

THE FIREPLACE PLACE
WEST ANDREW JOHNSON HWY.
PANTHER VILLAGE
MORRISTOWN, TN 37814
(615) 586-2363

SPECIAL NOTE

The installation of a barometric damper is recommended for all free standing wood stoves, providing the installation is in a newly constructed all fuel chimney of creosote deposits. The barometric damper is an automatic device designed to regulate the draft in a heating appliance which in turn stabilizes the chimney temperatures and decreases the amount of creosote build up, lessening the potential of chimney fires. Do not place the barometric damper greater than two (2) feet above the unit. Excessive draft will lead to poor control of the burning rate and possible overfiring of the stove. Most barometric dampers are calibrated in inches of water column and can be set to draft requirements of -.03 to -.08 inches.

READ INSTRUCTIONS CAREFULLY BEFORE STARTING.

EFEL KAMINETTE

ASSEMBLY, INSTALLATION, OPERATING & MAINTENANCE INSTRUCTIONS

READ INSTRUCTIONS CAREFULLY BEFORE STARTING. INSTALLATION MUST COMPLY WITH ALL LOCAL AND NATIONAL CODES. ALL PARTS MUST BE IN PLACE OR LISTING WILL BE VOID.

ASSEMBLY INSTRUCTIONS

1. Remove all parts from the shipping carton and check for damage. If any damaged pieces are found, contact the shipping company immediately. Do not install unit using damaged parts.
2. Place heater on a soft surface laying on its back. If working on a carpeted floor, it is advisable to protect the carpeting with an old sheet or blanket.
3. Attach the two legs, one on right side, and other on left side of the bottom of the unit. Refer to Illustration No. 1.

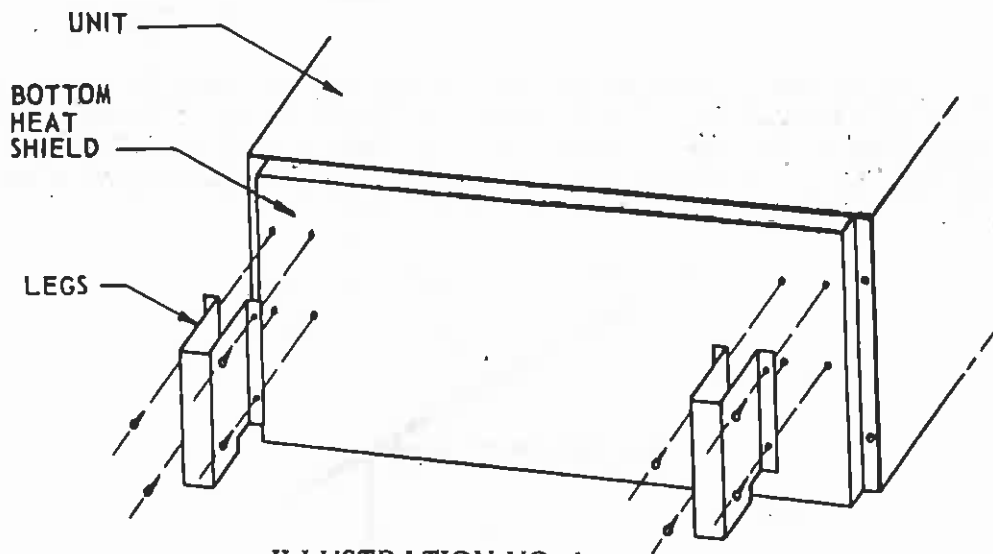


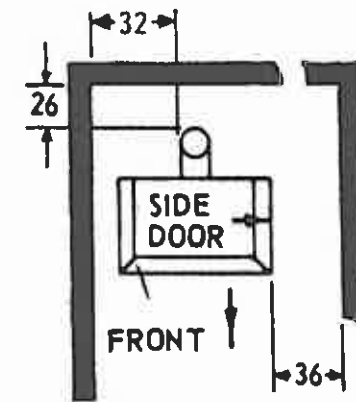
ILLUSTRATION NO. 1

4. Lift unit upright.
5. Your unit is now ready for installation. Read Installation Instructions.

EFEL KAMINETTE

INSTALLATION INSTRUCTIONS

1. Place elbow on rear outlet of unit with the crimped end pointing upward. Position unit to comply with the minimum clearances. Minimum clearances are shown from the chimney connector (elbow). Check that no overhead cross members in the ceiling or roof will be cut. Reposition unit if necessary, being careful not to move closer than the minimum clearances.
 - a. The minimum clearance to the back wall is 26" as measured from the back of the chimney connector.
 - b. The minimum clearance to the side wall is 32" as measured from the side of the chimney connector.
 - c. The minimum clearance to the right side wall is 36" as measured from the side feed door opening.



REFER TO ILLUSTRATION NO. 2

ILLUSTRATION NO. 2

2. Install chimney and accessories through ceiling and roof directly above the unit per chimney manufacturer's instructions. Chimney must be UL listed 6" low heat residential appliance type chimney (all fuel). Before chimney is installed, use a "plumb bob" to assure that chimney is directly above the flue outlet or elbow on unit. Refer to typical installation, Illustration No. 3.

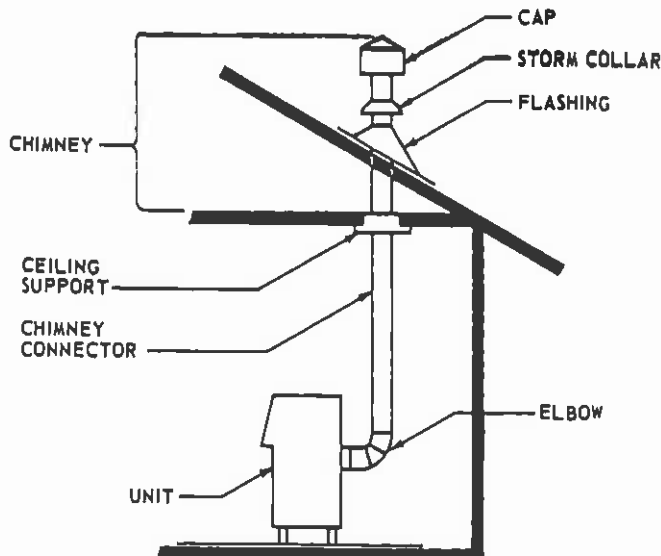


ILLUSTRATION NO. 3

EFEL KAMINETTE

3. A non-combustible hearth extension must be installed under the unit. this hearth extension must be a minimum of $\frac{3}{4}$ " thick asbestos millboard or equivalent. Check with local building authorities as to what other materials are acceptable.

The hearth extension must extend a minimum of 16" beyond the front opening, 8" beyond the left side, 16" beyond the right side and 8" beyond the back of the chimney connector. Mark position of hearth extension on floor. Refer to Illustration No.4.

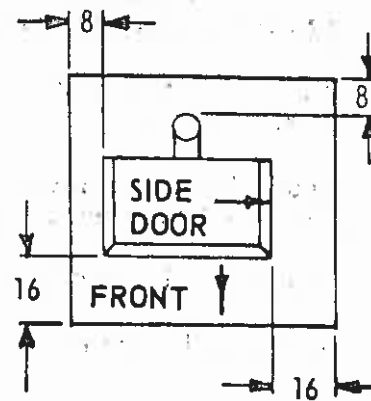


ILLUSTRATION NO. 4

4. Remove unit and install hearth extension.
5. Place unit on hearth extension at the clearances already established.
6. Slide one section of chimney connector up into the chimney several inches. Then place another section of chimney connector on top of the elbow on unit. The crimped ends of the chimney connector must point up. Be sure to position seam towards back for aesthetics. Add additional sections of chimney connector as needed. Chimney connector must be a minimum of 24 gauge black or blued steel, 6" in diameter.

Note:

The state of Massachusetts requires that all sizes of chimney connectors be 22 gauge black or blued steel.

7. Slide top section of chimney connector down onto lower section of chimney connector. The top section of chimney connector should still extend up into the chimney a minimum of 2 or 3 inches.

EFEL KAMINETTE

8. Check that all the clearances are still within the allowable.
9. Secure adjoining sections of chimney connector and elbow to each other with three stainless steel sheet metal screws equally spaced around each joint. **Do not** connect chimney connector to chimney with screws.
10. Secure chimney connector elbow to flue outlet of unit with three self-tapping machine screws.
11. Secure hanger bracket to the wall in a convenient location for hanging the separable handle when not in use.
12. Read Operating and Maintenance Instructions.
13. Your room heater is now ready for use.

EFEL KAMINETTE

OPERATING AND MAINTENANCE INSTRUCTIONS

WARNING:

THIS ROOM HEATER IS A HEAT PRODUCING APPLIANCE AND MAY CAUSE SEVERE BURNS IF TOUCHED. KEEP CHILDREN AWAY.

DO NOT OVERFIRE. IF ANY PORTION OF UNIT OR CHIMNEY CONNECTOR STARTS TO GLOW, YOU ARE OVERFIRING.

THIS UNIT IS A RADIANT ROOM HEATER AND SHOULD BE USED FOR NO OTHER PURPOSE.

1. First few fires should be small in order to properly cure the cast iron parts and paint.
2. A separable handle has been provided with the unit. Use it to open and close doors when adding fuel. Store handle on hanging bracket after each use.
3. The size of the fire can be controlled by use of the sliding draft caps on the front above the ash cleanout door. By closing down the draft openings you will have a smaller fire that will last a long time.

4.

WARNING:

SIDE FEED DOOR MUST BE CLOSED DURING FIRING EXCEPT WHEN ADDING FUEL.

FRONT FIREBOX DOOR MUST BE CLOSED DURING FIRING OF THE HEATER.

KEEP ASH DRAWER CLOSED DURING FIRING OF THE HEATER TO AVOID DEVELOPING EXCESSIVE TEMPERATURES.

5. Your heater is designed for use with wood fuel only.
Do not burn trash or garbage in unit.
6. Be sure to provide combustion air into the dwelling when using a burning appliance. A partially open window or register in front of unit would be acceptable.
7. Always keep the area around the unit clean and clear of furniture and other objects. Always keep furniture at least 48" from unit.

EFEL KAMINETTE

8. Ashes should be removed when cold. Ashes should be placed in a metal container with a tight fitting lid. The closed container of ashes should be placed on a non-combustible floor or on the ground well away from all combustible materials, pending final disposal. If the ashes are disposed of by burial in soil or otherwise locally dispersed, they should be retained in the closed container until all cinders have thoroughly cooled.

9. **CREOSOTE - FORMATION AND NEED FOR REMOVAL**

When wood is burned slowly, it produces tar and other organic vapors, which combine with expelled moisture to form creosote. The creosote vapors condense in the relatively cool chimney flue of a slow-burning fire. As a result, creosote residue accumulates on the flue lining. When ignited, this creosote makes an extremely hot fire.

The chimney connector and chimney should be inspected at least twice monthly during the heating season to determine if a creosote buildup had occurred.

If creosote has accumulated, it should be removed to reduce the risk of a chimney fire. Experienced chimney servicing personnel should be consulted.

10. **FIRING THE HEATER**

- a. Open the flue damper prior to starting fire by rotating control lever on flue collar to a horizontal position.
- b. Open draft control. Place a small amount of wadded paper and kindling on bottom of firebox. Light with a match and close door. Always tend fire through the side feed door.

CAUTION:

NEVER USE GASOLINE, GASOLINE TYPE LANTERN FUEL, KEROSENE, CHARCOAL LIGHTER FLUID, OR SIMILAR LIQUIDS TO START OR "FRESHEN UP" A FIRE IN THIS HEATER. KEEP ALL SUCH LIQUIDS WELL AWAY FROM THE HEATER WHILE IT IS IN USE.

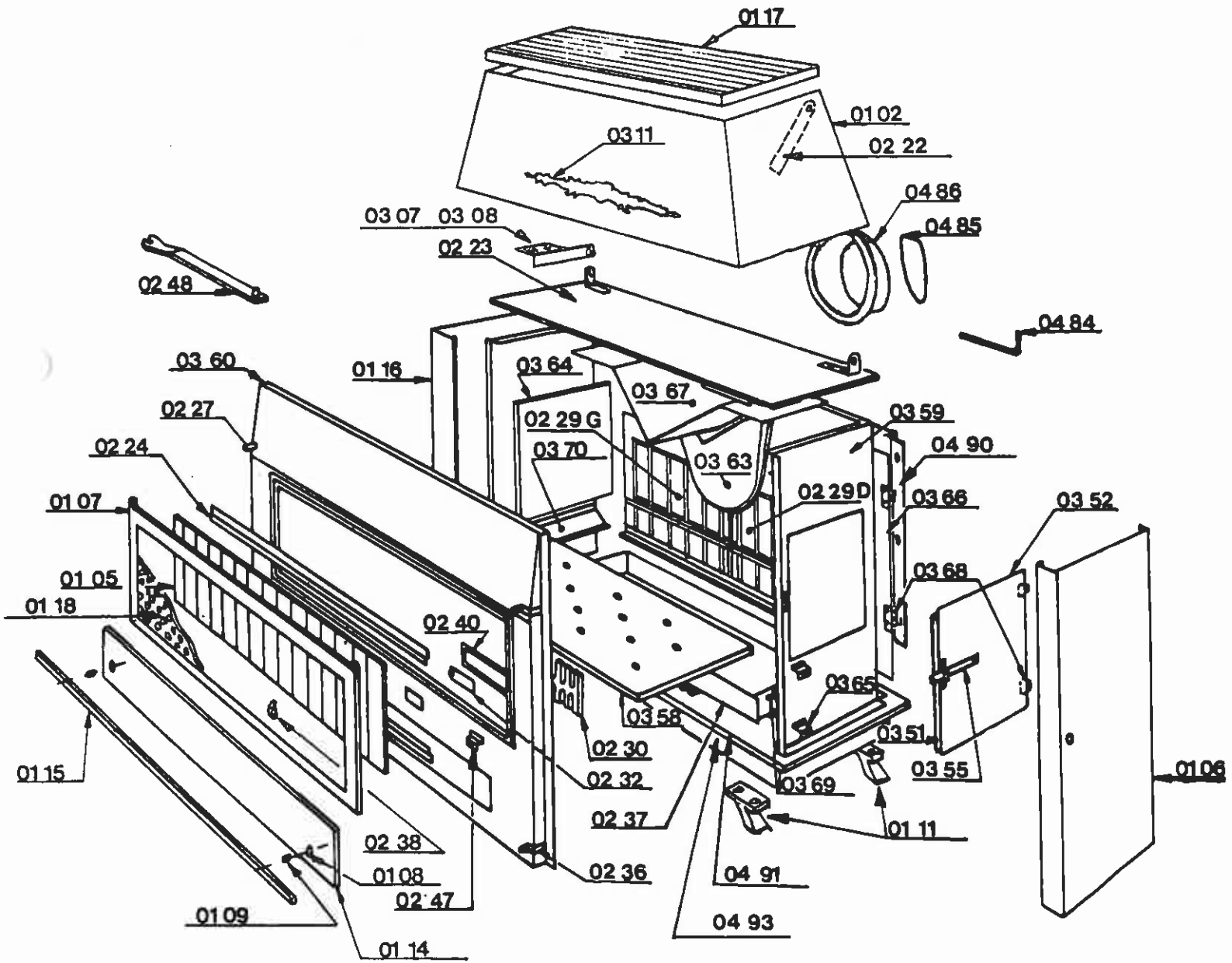
- c. When kindling is burning well, add larger pieces of wood and close and latch door. **Use only dried or seasoned wood.**

CAUTION:

Always check for high flames before opening door by looking through front glass, then partially opening door for a few seconds before opening door fully.

11. For further information on using your heater safely, obtain a copy of the National Fire Protection Association publication, "Using Coal and Wood Stoves Safely", NFPA HS-10-1978. The address of the NFPA is Batterymarch park, Quincy, MA 02269.
12. File instructions for future reference.

EFEL KAMINETTE



EFEL KAMINETTE

SPARE PARTS LIST

<u>Item</u>	<u>Description</u>	<u>Item</u>	<u>Description</u>
02.37	Ash receptacle		1 Asbestos rope 5(47,24")
	Ash receptacle door latch	03.69	Right side ashes guide
03.70	Left side ashes guide		Ash receptacle shouldered screw
04.91	Furnace bottom	01.11	Legs
01.10			Screw
02.23	Furnace top piece	02.30	Front fire grate
03.58	Bottom fire grate	02.29D	Back plate R.S.
02.29G	Back plate L.S.	03.64	Protection plate left
03.63 & 67	Baffle	03.59	Furnace envelope
03.66	Hanger hinges	03.65	Magnetic latch
04.86	Pipe 6" inside	04.85	Pipe baffle
04.84	Rod pipe baffle	01.18	Screen
04.93	Protection & Isolating	04.90	Protection back plate
02.48	1 Universal service tool	01.02	Hood without accessories
01.17	Top grill	02.22	Stand
03.11	Ornament for hood	03.10	Spacers for
03.08	Left hood hinge	03.07	Right hood hinge
01.16	Left side panel	01.06	Right side panel
01.14	Lower front piece	01.15	Lower ornament
01.09	Spacer for	01.08	Washers for ornament
03.60	Front panel	02.36	Right hinge
02.49	Left hinge	02.27	Door hinge
02.32	Air intake shutter	02.40	Guide for air intake
02.47	Magnet stand	02.38	Furnace door latch
01.07	Furnace enamelled door	03.52	Loading door
03.55	Loading door latch	02.24	Glass clip
01.05	Glass foilds		1 Asbestos rope 6
	Nail glass door	03.68	Loading door hinge
03.51	Door protection plate		

EFEL NORTH AMERICA, INC.

LIMITED WARRANTY

We warrant to the original retail purchaser of a cast iron or steel stove supplied by us as follows:

We will replace, at Boston, Massachusetts, any stove part(s) covered by this Limited Warranty (other than Hi-Temp glass, if any, catalytic core, if any, trim or accessories) or the entire stove at our option, which prove to be defective in material or workmanship under normal home use by the original retail purchaser within one (1) year after the date of the original purchase.

We will replace, at Boston, Massachusetts, any Hi-Temp glass or catalytic core in a stove covered by this Limited Warranty, or any trim or accessories (such as beanpots, hangers, grates, grills, knobs, brass balls, tool sets or lifters) supplied by us with a stove covered by this Limited Warranty which prove to be defective in material or workmanship under normal home use by the original retail purchaser within one (1) year after the date of original purchase of the stove.

You must pay any and all labor and shipping charges or other expenses of removing, inspecting or returning to us any defective part(s) trim, accessories or stove, or of shipping to you, installing or inspecting any replacement part(s), trim, accessories or stove furnished by us, and we will not be responsible for such charges or expenses under this Limited Warranty.

This warranty shall not apply, and we shall have no obligations hereunder with respect to any stove, part, trim or accessory which has been subject to accident, abuse, alteration, misuse or neglect, or which has not been installed, inspected, operated and maintained in accordance with all applicable local codes and regulations and in accordance with the manufacturer's printed instructions, or which, if such stove has a catalytic core, has, contrary to the instructions in the owner's manual been used with incorrect fuels, such as newspaper logs, artificial pressed logs, coal, or anything other than natural woods.

We make no warranty whatsoever with respect to: any accessories or parts not supplied by us.

THIS WARRANTY SHALL NOT APPLY TO, AND WE SHALL HAVE NO OBLIGATIONS HEREUNDER WITH RESPECT TO ANY GLASS (OTHER THAN HI-TEMP GLASS), ISINGLASS, FURNACE CEMENT, ASBESTOS, FIBERGLASS GASKETING, ENAMELED SURFACES, OR FIREBRICK SOLD OR USED WITH THE STOVE OR ANY SURFACE RUST OR DISCOLORATION OF BRASS OR BRASS PLATING WHICH MAY OCCUR IN TRANSIT, STORAGE OR USE.

OUR OBLIGATION UNDER THIS WARRANTY SHALL BE LIMITED TO THE FURNISHING OF REPLACEMENT PARTS, TRIM OR ACCESSORIES, OR A REPLACEMENT STOVE AT OUR OPTION, AND WE SHALL IN NO EVENT BE LIABLE FOR INCIDENTAL, CONSEQUENTIAL OR OTHER MONETARY DAMAGES. THE PURCHASE PRICE OF THE STOVE IS A CONSIDERATION FOR THIS LIMITATION OF LIABILITY. Some states do not allow the exclusion or limitation of incidental or consequential damages, so the limitations or exclusions in this paragraph may not apply to you.

ALL IMPLIED WARRANTIES OF PRODUCTS COVERED BY THIS LIMITED WARRANTY, INCLUDING ANY IMPLIED WARRANTIES OF MERCHANTABILITY OR FITNESS FOR ANY PARTICULAR PURPOSE ARE LIMITED TO A PERIOD OF ONE (1) YEAR FROM THE DATE OF ORIGINAL PURCHASE. THE PURCHASE PRICE OF THE STOVE IS A CONSIDERATION FOR THIS LIMITATION. Some states do not allow limitations on how long an implied warranty lasts, so the limitation in this paragraph may not apply to you.

Except as expressly stated in this Limited Warranty, we neither assume, nor authorize anyone else to assume for us, any liability or obligation in connection with the sale of any stove to which this warranty applies or of any parts, trim or accessories therefor.

In order for this Warranty to be valid, the attached card must be completed and mailed, within 30 days after original purchase to us at the address shown below.

Any claim under this Limited Warranty should be submitted first to the Dealer from whom the stove was purchased. If such Dealer cannot be located, the warranty claim, in writing, should be mailed to us at the address shown below, indicating the model number, size and serial number, if any, of the stove and the place, price and date of purchase.

This warranty gives you specific legal rights, and you may also have other rights which may vary from state to state.

EFEL NORTH AMERICA, INC., 5709 Stearns Hill Road, Waltham, MA 02154.

DETACH AND RETURN TO EFEL NORTH AMERICA, INC.

WARRANTEE CARD

NAME _____

ADDRESS _____

CITY _____ STATE _____ ZIP _____

MODEL # _____ DATE PURCHASED _____

SERIAL # _____ PURCHASE PRICE _____

WHERE PURCHASED _____

SUGGESTIONS, COMMENTS _____

RETAIN A COPY FOR YOUR RECORDS

