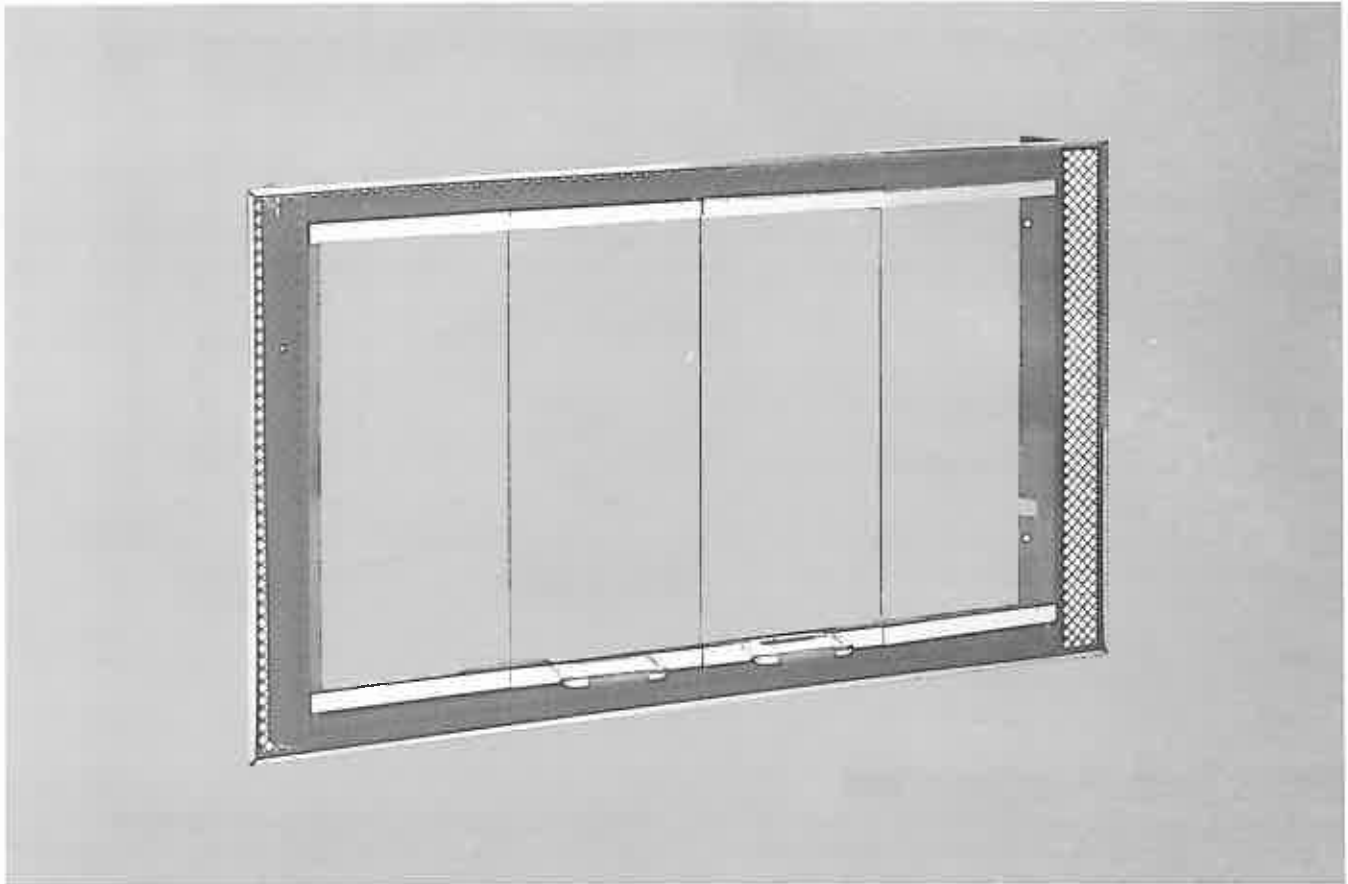


INSTALLATION AND OPERATION INSTRUCTIONS

for the MAJESTIC[®]
GLASS ENCLOSURE KIT
MODEL: RGD-36



Important: Read instructions carefully before starting installation. Failure to follow these installation instructions as detailed may result in a possible fire hazard and will void the Majestic warranty.

MAJESTIC[®]

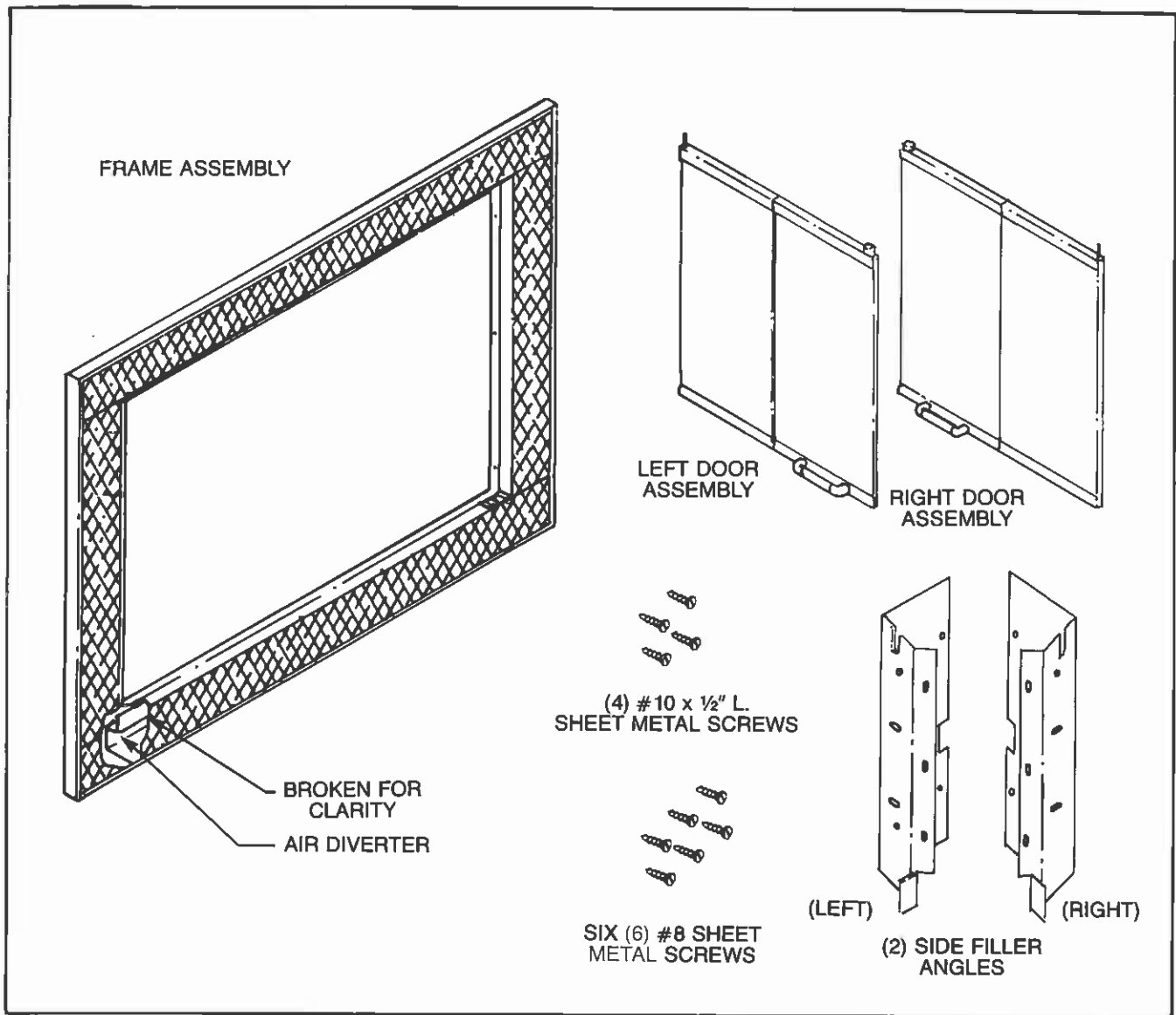


Fig. 1. Contents of shipping carton.

INSTALLATION PRECAUTIONS

The MAJESTIC Glass Enclosure Kit RGD-36 is tested and safe when installed in accordance with this Installation Manual. It is your responsibility to read all instructions before starting installation and to follow these instructions carefully during installation to assure maximum benefit from and safe operation of the glass enclosure.

This glass enclosure is carefully engineered and must be installed on the R36 and RC36 Series MAJESTIC fireplace. IF YOU MODIFY IT OR ANY OF ITS COMPONENTS, YOU MAY POSSIBLY CAUSE A FIRE HAZARD AND WILL VOID THE MAJESTIC WARRANTY. IN ADDITION, SUCH ACTION MAY VOID THE COVERAGE PROVIDED BY THE OWNER'S HOUSE INSURANCE.

The glass enclosure must be installed **WITHIN** the fireplace opening as detailed in this manual. It must **NOT** be separated from the firebox with fireplace facing or finishing materials.

It is good practice to protect your hands and eyes during installation by wearing work gloves and safety glasses.

CHECK CONTENTS OF SHIPPING CARTON

Compare contents of shipping carton in Fig. 1 with actual parts received. If any parts are missing, or damaged, contact your Majestic Dealer before starting installation. Do not install a damaged glass enclosure kit.

CLEAN NEW MASONRY

Mortar and masonry cleaning agents will corrode brass unless they are neutralized. Therefore, if your fireplace surround has been faced with any type of masonry, wash it with ammonia water or a baking soda solution so the brass trim pieces of your RGD-36 will not be corroded.

REMOVE PLASTIC COATING FROM BRASS TO PREVENT DISCOLORATION

If your door is protected with a plastic coating, it must be removed from the brass trim.

INSTALLATION INSTRUCTIONS

1. Remove the four (4) Phillips head screws that retain the top screen angle on your R36 or RC36 fireplace. The angle should then be removed and discarded along with the four (4) screws (See Fig. 2).
2. Remove the two (2) retainer clips holding each screen to the sides of the fireplace and slide the screens to the center. Retain the clips for later use.
3. Install the two (2) side filler angles at each side of the fireplace by removing two (2) screws at the side edge of the front brick retainers. With the slot of the filler angle positioned at the top, assure that the screen rod is nested in this slot. Re-install the two (2) screws previously removed and install two (2) additional # 10 screws (provided) through side filler angle holes — securing it to the front brick retainer. (See Fig. 2).
4. Remove the frame and door assembly from the carton and open both doors. Remove each door assembly by depressing the spring bracket that holds each door in place (Fig. 3) and remove the door assemblies from the frame.

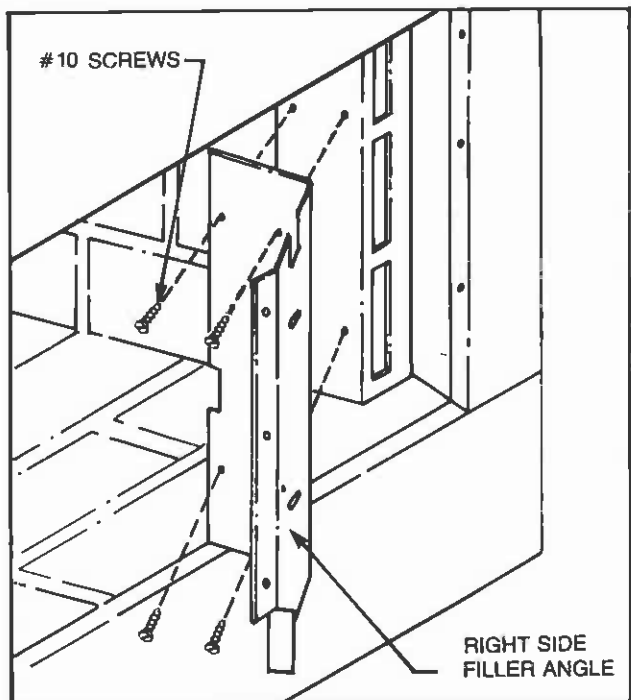
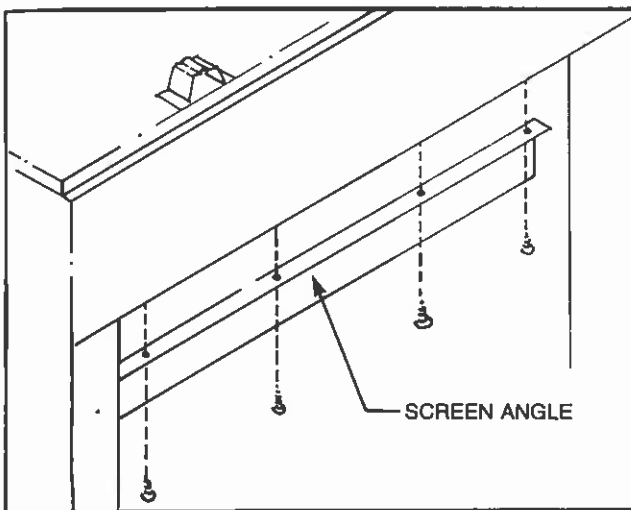


Fig. 2. Remove screen angle and install side filler angle.

5. You are now ready to mount the frame assembly. Position the frame in the fireplace opening so the air diverter is at the bottom of the frame. Refer to Fig. 1 to identify the air diverter. The frame should be pushed inward until the frame rests against the filler angles installed in Step 3. Now install three (3) #8 screws in each side of the door opening, fastening the frame to the filler. (See Fig. 4).

6. Slide the screens toward the filler angle on each side and fasten to the filler using the clips removed in Step 2. Two (2) clips are used on each side of the fireplace and are installed through the screen into the two (2) oval holes in the filler.
7. Install the door assemblies into frame by folding each door and then placing it in the track at an angle and sliding the hinge pin into the frame spring clip. When the hinge pin is snapped in place, top and bottom, the door should slide smoothly in the track.
8. If the doors do not align and work smoothly, the door assembly needs to be aligned. Open the door and loosen the top or bottom spring clip slightly and adjust the door to eliminate the misalignment or binding. Position the door and retighten the retaining screw.
9. Determine if the door is properly retained in closed position. The lower rail detent may be adjusted up or down to give lesser or greater tension.
10. Your RGD-36 doors are now ready to use.

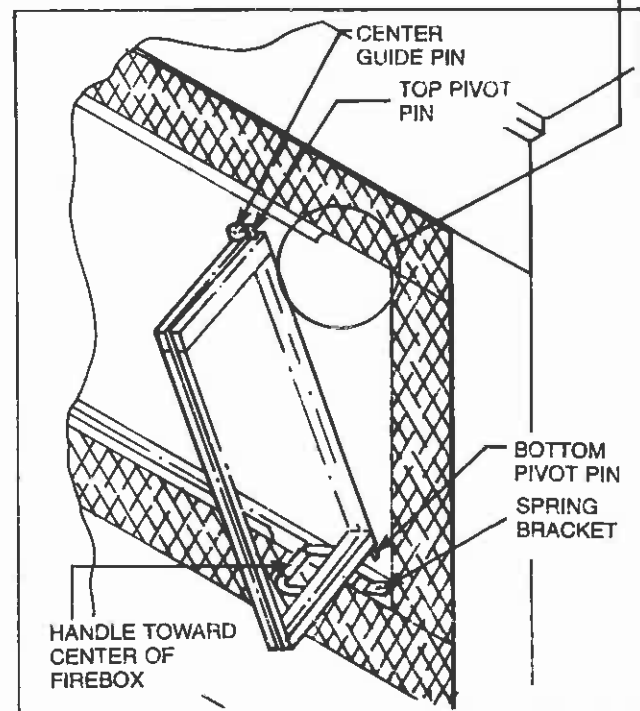
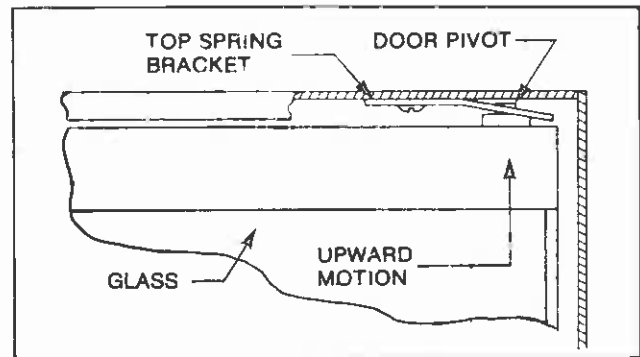


Fig. 3. Mounting door assembly in door tracks. Depress top spring bracket to remove door assembly.

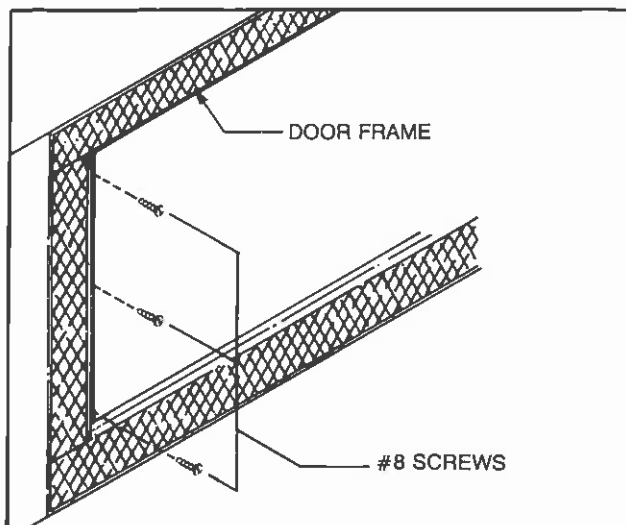


Fig. 4. Mounting door frame.

OPERATING PRECAUTIONS AND INSTRUCTIONS

The RGD-36 door and the fireplace flue damper must both be in the fully open position before starting your fire.

Follow the procedure for building and starting a fire as detailed in your fireplace homeowner's manual. You may close the doors AFTER the fire is well started.

Do not, however, close the RGD-36 doors on an excessively hot fire. The glass must be allowed to warm slowly. The tempered glass in the doors will withstand a gradual temperature rise to 550°F, which is more than a normal fire will create. Keep the fire well back from the doors and never let flames contact the glass.

If your fire gets too large at any time, open both glass doors. This will quickly reduce the heat in the firebox. Push the logs or other fuel to the rear of the firebox and rearrange into a single layer. Let the fire burn to a smaller size before closing the glass doors again.

The RGD-36 doors must always be in either the fully opened or fully closed position. Partially opened doors can cause air drafts that may swirl the fire dangerously or cause smoke to be blown into the room. Any time you have a fire burning in the fireplace and you open the RGD-36 doors, be sure to close the fireplace screen.

WARNING: FIREPLACES EQUIPPED WITH DOORS SHOULD BE OPERATED ONLY WITH DOORS FULLY OPEN OR DOORS FULLY CLOSED. IF DOORS ARE LEFT PARTLY OPEN, GAS AND FLAME MAY BE DRAWN OUT OF THE FIREPLACE OPENING, CREATING RISKS OF BOTH FIRE AND SMOKE.

See Fig. 5 for correct door positions.

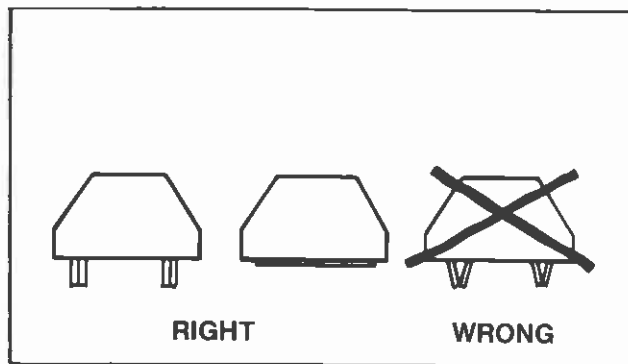


Fig. 5. Doors in full open or full closed position.

The following check list summarizes the key steps discussed under OPERATING INSTRUCTIONS.

1. Open RGD-36 doors and fireplace damper.
2. Build fire as described in fireplace owner's manual.
3. Close RGD-36 doors after the fire is started IF fire is normal size.
4. If fire gets too large, open RGD-36 doors and reduce size of fire.
5. Keep damper open until fire is completely out and all smoking has stopped.

For maximum benefit and efficient usage refer to operating instructions in Owner's Manual.

MAINTENANCE

Your MAJESTIC Glass Enclosure Kit RGD-36 is built to require very little maintenance. It is suggested, however, that you perform the following procedures as required to maintain the original attractive appearance of the glass enclosure.

CARE OF GLASS

The glass in the RGD-36 doors has been specifically treated for use with fireplaces. This glass is eight times stronger than conventional plate glass; but, it is possible to break the glass through abuse, by overheating it, or by blocking any of the air intakes. The glass can be cleaned when completely cool and most household glass cleaners.

Should a glass panel ever break, you can order replacement door panels from Majestic through your Majestic Dealer.

CARE OF BRASS

Your glass enclosure is covered with a facing of brass. The surface of the brass is coated with a clear baked-on enamel to prevent tarnishing of the brass. This finish is treated to withstand any temperature up to 600°F, which is more than will be developed with normal fireplace operation.

Do not polish the brass. When cleaning is required, use Ivory soap suds and a soft cloth. After washing, dry the surface with a clean, dry, soft cloth.

MAJESTIC[®]

THE MAJESTIC COMPANY, HUNTINGTON, INDIANA 46750