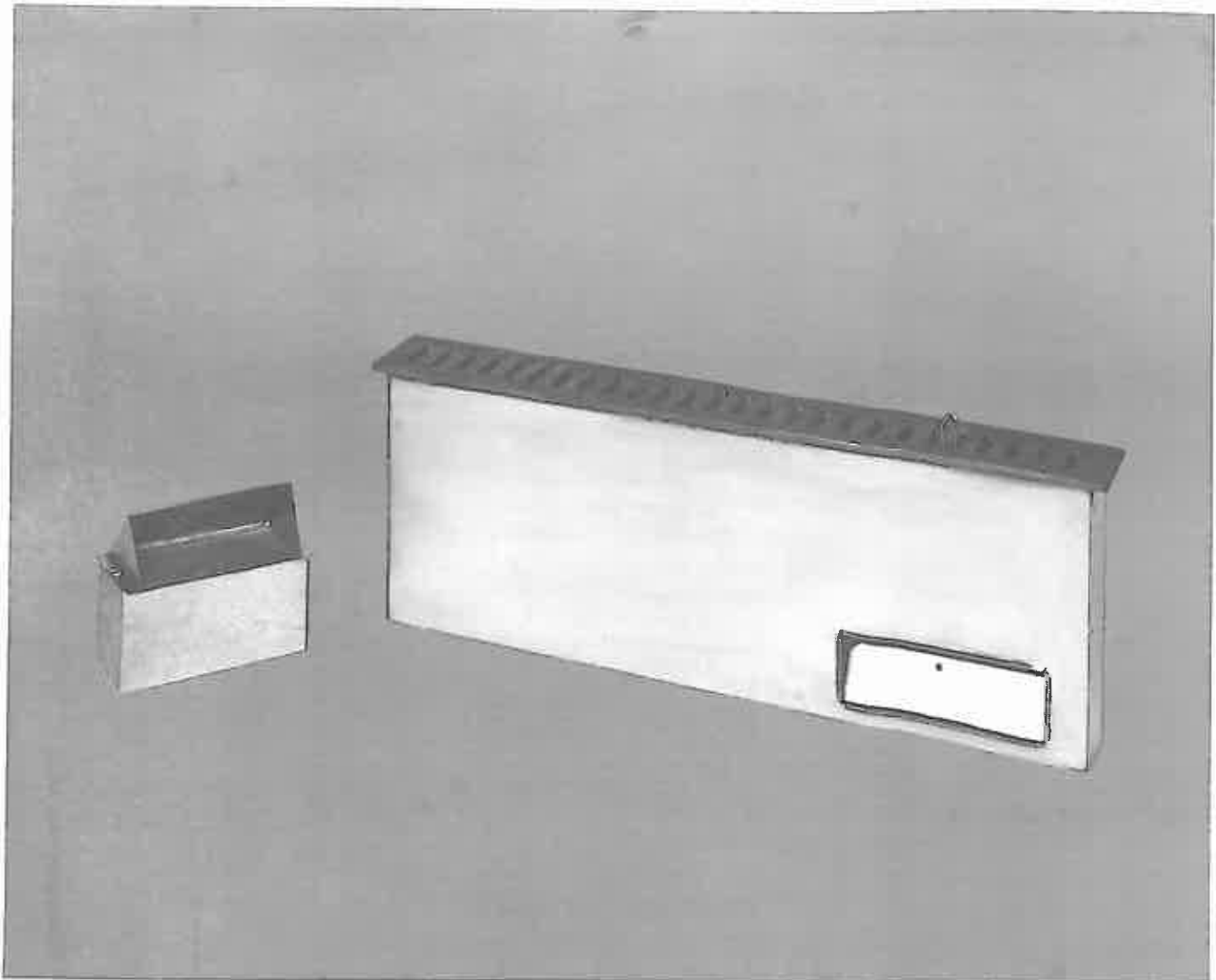


INSTALLATION AND OPERATION MANUAL

for the **MAJESTIC**.
CIRCULATOR OUTSIDE AIR KIT

MODEL COAK-1



IMPORTANT: Read all instructions carefully before starting installation.

MAJESTIC
An American-Standard Company

Copyright American Standard Inc. 1979

IDENTIFICATION OF PARTS

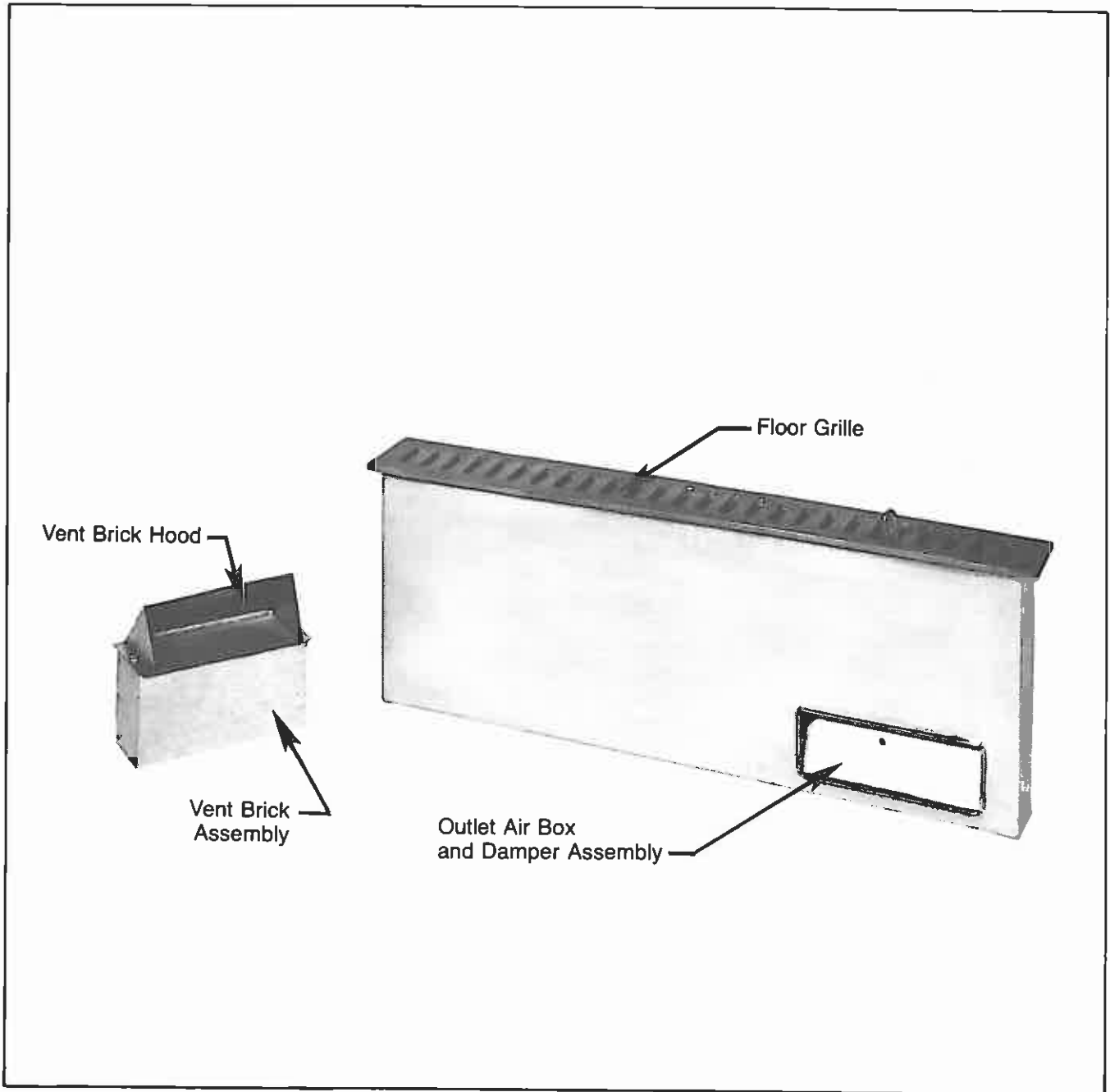


Fig. 1. Identification of parts

TABLE OF CONTENTS

Identification of Parts	2
Installation Precautions	3
Installation Instructions	3
Operating Precautions and Instructions	7
Maintenance	7
Replacement Parts	7
Reference Data	7

2 IDENTIFICATION OF PARTS

INSTALLATION PRECAUTIONS

The MAJESTIC Circulator Outside Air Kit components are tested and safe when installed in accordance with these Installation Instructions. It is your responsibility to read all instructions before starting installation and to follow these instructions carefully during installation to assure maximum benefit from and safe operation of the Circulator Outside Air Kit.

If you make any modification on the MAJESTIC Circulator Outside Air Kit, you may possibly cause a fire hazard and will void the MAJESTIC warranty. In addition, such action may void the coverage provided by the owner's house insurance.

Consult applicable building codes prior to installation.

The MAJESTIC Circulator Outside Air Kit is generally designed for masonry fireplaces with front openings, installed at ground level on exterior walls.* **DO NOT INSTALL THE CIRCULATOR OUTSIDE AIR KIT IN A MASONRY FIREPLACE LOCATED ON A WALL WHICH SEPARATES THE LIVING SPACE FROM A GARAGE OR CARPORT.** The Outside Air Kit must not be installed in such a manner that will permit air to be drawn into the home from an adjacent area which may contain noxious fumes, such as automobile exhaust fumes, gasoline fumes, paint fumes, etc.

*For details of modified installations, contact Director of Customer Service, The Majestic Company, Huntington, Indiana 46750.

INSTALLATION INSTRUCTIONS

A. General Information.

□ A-1. PLANNING YOUR INSTALLATION.

The MAJESTIC Circulator Outside Air Kit is designed to enable the homeowner to have in-house control of outside make-up air for combustion. The damper actuator provides a positive seal to close off outside air when not needed, unlike the old ventilating brick/ash dump outside air system.

The MAJESTIC Circulator Outside Air Kit can be used not only with MAJESTIC MC-Series Circulator fireplaces but also in virtually any masonry fireplace construction.

Good planning is very important for a satisfactory installation. Therefore, at this time, you should decide what Building Specialty components you want to include in your installation, where the fireplace is to be located, how the chimney will be routed to the roof, and how the Circulator Outside Air Kit ductwork (not provided) will be routed from the air outlet box to the vent brick assembly on the exterior foundation wall. If necessary, consult your Majestic Dealer for assistance with this planning.

The MAJESTIC Circulator Outside Air Kit is installed through and under the fireplace hearth slab. (See Fig. 2). For best results, the air outlet box should be located in the center of the fireplace opening width, the outside edge of the box in line with the outside edge of the fireplace facing. This location also prevents any interference with the use of glass doors installed at a later date. (See Fig. 3).

The ducting to be used between the air outlet box and the vent brick assembly on the exterior foundation wall should preferably be constructed of sheet metal. The ducting should allow a minimum flow area of 24 square inches, or a 3-inch by 8-inch rectangular passageway. Standard single-wall galvanized sheet metal duct 3¼-inch by 8-inch may be used and can be purchased at local retailers. If using a masonry passageway, it should be constructed as smooth as possible to avoid air flow restrictions. Any combustible forms or materials used during construction must be removed prior to fireplace usage.

Ductwork should be located and attached to air outlet box and vent brick assembly during construction of the fireplace hearth slab.

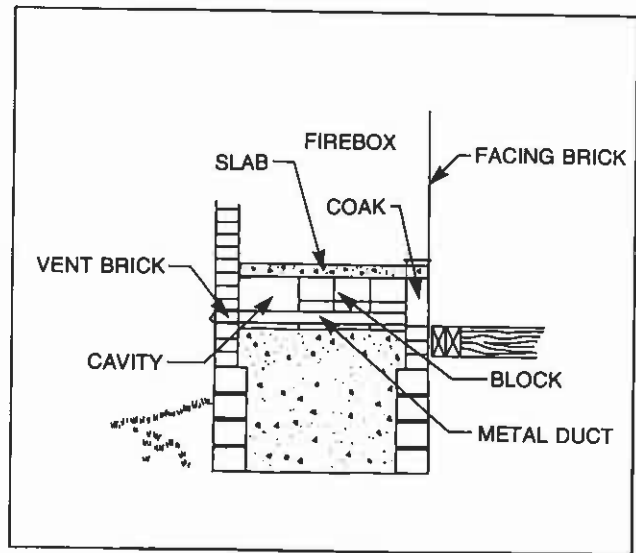


Fig. 2. Outside Air Kit is installed through and under hearth slab.

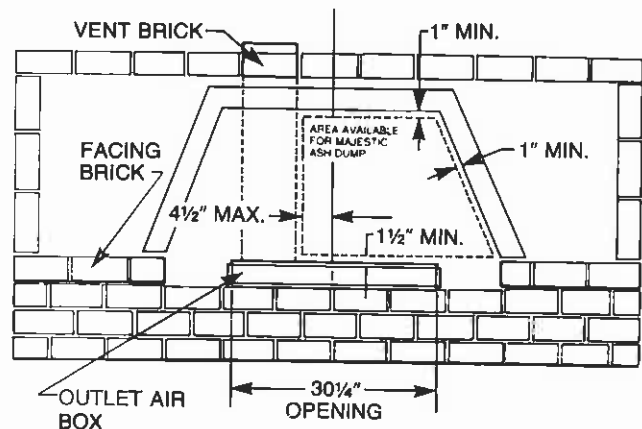


Fig. 3. Location prevents later interference with glass doors.

B. Installing the Circulator Outside Air Kit.

□ B-1. MINIMUM FOUNDATION AND FOOTING.

The height of the foundation determines the level of the fireplace hearth. Plan the foundation height to accommodate the fireplace hearth in relation to the floor. Remember to deduct the thickness of the firebrick hearth and hearth slab from the foundation height. Foundation walls should be at least 8-inches to 12-inches thick.

Footings should extend 6-inches beyond on all sides of the outer foundation walls.

Consult your local building codes for specific requirements on footing and foundation. In general, footings should be located below the frost line, usually 30-inches below the ground surface. (See Fig. 4).

□ B-2. POUR FOOTINGS.

After having determined the appropriate dimensions, pour the concrete footing. Make sure it is level. (See Fig. 4).

□ B-3. BUILD FOUNDATION.

Figure foundation size based on the materials being used. Add to the foundation dimensions where extra flues are to be incorporated.

The height of the foundation determines the level of the fireplace. Remember to deduct the thickness of the firebrick hearth and hearth slab from the foundation height.

The foundation may be constructed either of concrete blocks, poured concrete or common brick. Provide for the vent brick assembly opening as well as any options such as an ash pit cleanout door when laying the foundation. (See Fig. 5).

□ B-4. INSTALL VENT BRICK ASSEMBLY.

Set the COAK vent brick assembly in the outside foundation wall, several inches above the ground surface to prevent blockage from earth and snow. (See Fig. 6). Attach vent brick hood.

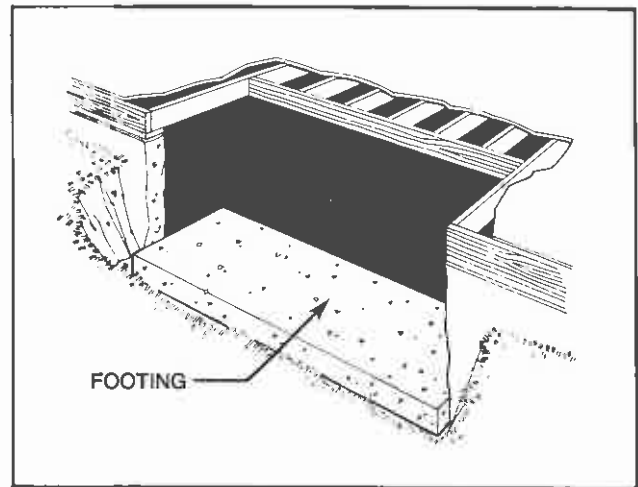


Fig. 4. Pour footings.

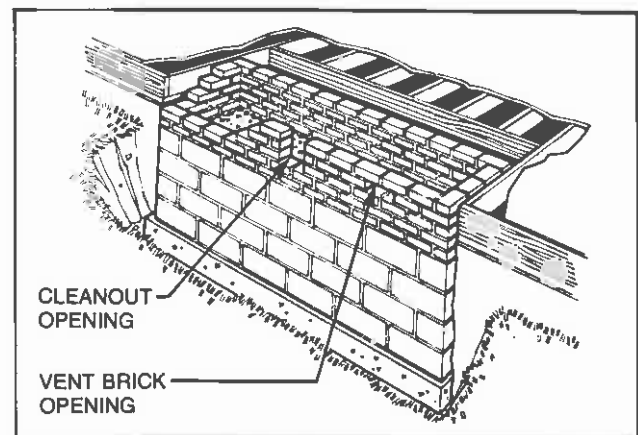


Fig. 5. Build foundation.

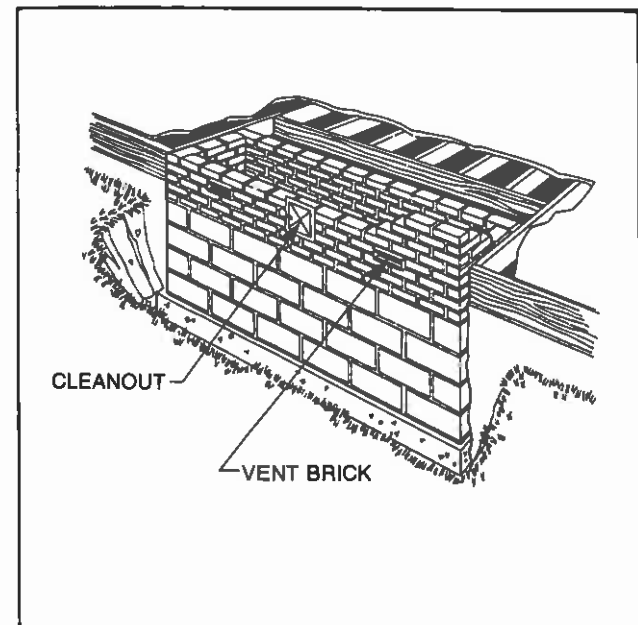


Fig. 6. Install vent brick assembly.

□ B-5. FILL FOUNDATION.

Fill the foundation cavity with loose non-combustible materials such as stones, brick chips and rubble to approximately 6-inches below ash dump clean-out door (if installed), and even with bottom of vent brick assembly.

□ B-6. INSTALL DUCTWORK.

At this time, attach the galvanized sheet metal duct to the vent brick assembly with sheet metal screws, (not provided); or construct a masonry channel if that option has been chosen, securing the channel to the assembly with mortar. (See Fig. 7). The duct run should be short, smooth and as direct as possible, heading in a slight upward direction from the vent brick assembly toward the air outlet box attachment.

□ B-7. INSTALL AIR OUTLET BOX

Attach the galvanized sheet metal duct to the air outlet box with sheet metal screws (not provided), or the optional masonry channel to the air outlet box with mortar. It is important that the ductwork connection at the air outlet box is relatively air tight to prevent air loss in the foundation cavity. Air leaks may eventually enter the home through the ash dump. Air outlet box should be in proper position relative to its intended location in the hearth. Remember that it should be located in the center of the intended fireplace opening, the outside edge of the air outlet box in line with the intended outside edge of the fireplace facing. (See Figs. 2&3) The hearth slab should be the thickness of a firebrick below the top of the air outlet box.

Any combustible forms or materials used during construction must be removed prior to fireplace usage.

□ B-8 BUILD HEARTH SLAB AND EXTENDED HEARTH.

The hearth slab and extended hearth should be built at the same time. Use concrete or concrete blocks.

Before pouring the hearth slab, prepare for the ash dump, if one is desired.

The extended hearth and hearth slab must be supported or reinforced by non-combustible materials so as to support its own weight as well as additional loading of fireplace brick and flue. (See Fig. 8).

Support the extended hearth and hearth slab on the front wall of the foundation. Use a lintel built into the foundation to support the rear and sides of the hearth slab. (See Fig. 8).

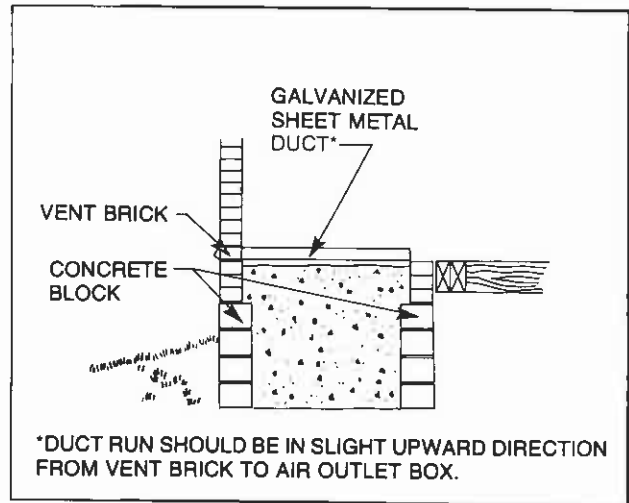


Fig. 7. Install ductwork.

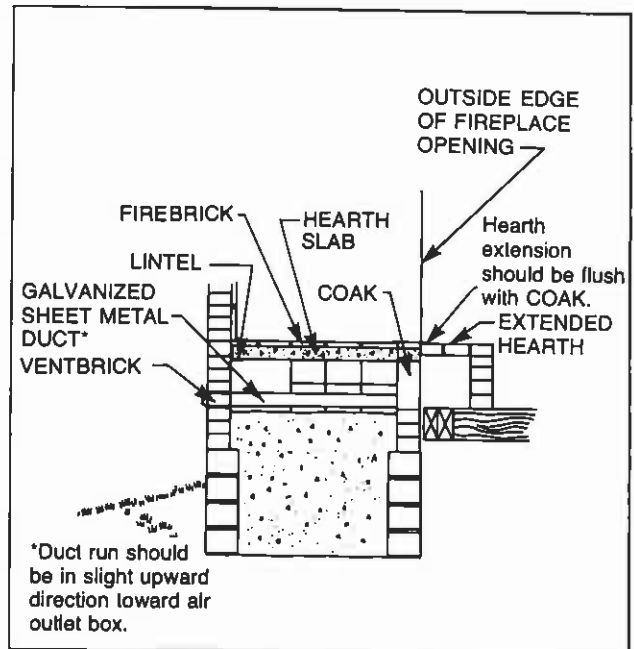


Fig. 8. Install Air Outlet Box, build hearth slab and extended hearth.

□ **B-9. CEMENT HEARTH FIREBRICK.**

Cement the hearth firebrick to the concrete slab with a non-combustible adhesive, leaving approximately 1/8-inch joints. The first row of firebrick should be positioned even with the intended front edge of the fireplace.

□ **B-10. ATTACH COAK-1 DAMPER BLADE.**

Attach Damper Actuator and position Damper Blade into the four (4) Damper Blade Location Brackets as shown in Fig. 9.

□ **B-11. ATTACH COAK-1 FLOOR GRILLE.**

Place the floor grille onto the outside air box to complete the MAJESTIC Circulator Outside Air Kit installation. The damper actuator handle should be placed through slotted opening in the grille. (See Fig. 10).

□ **B-12. FIREPLACE CONSTRUCTION.**

The balance of the fireplace may now be completed following standard masonry practices and local building codes.

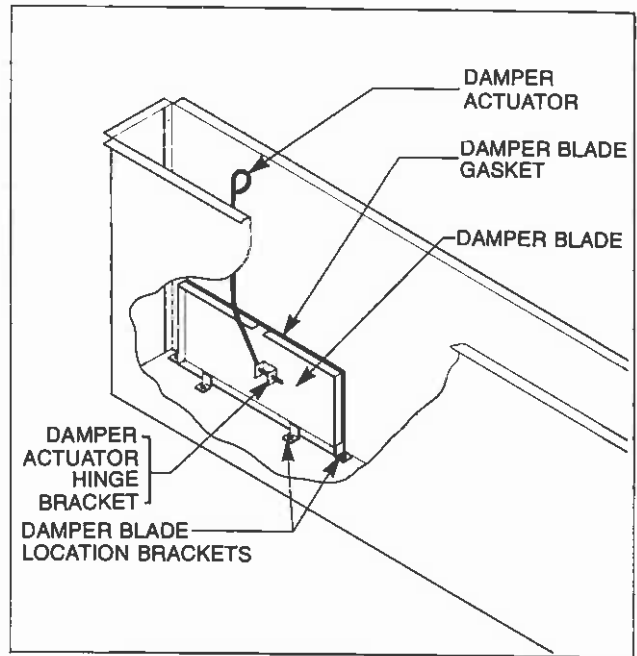


Fig. 9. Attach Damper Blade.

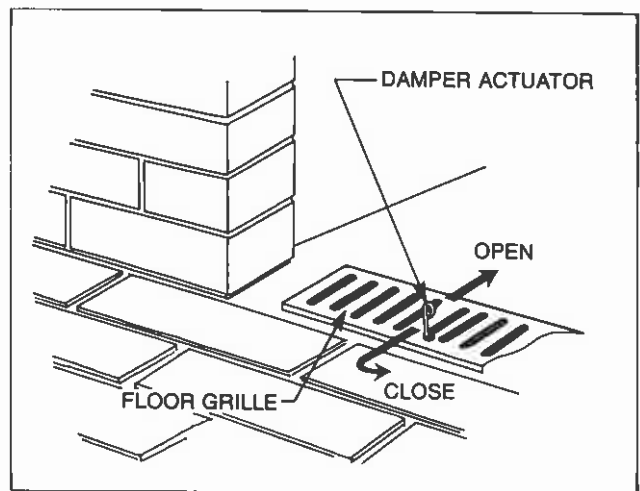


Fig. 10. Attach floor grille.

OPERATING PRECAUTIONS

1. Do not obstruct the vent brick assembly or air outlet box.
2. Do not burn materials directly on the floor grille.
3. Periodically inspect the air outlet box for accumulation of ashes or other debris. Any accumulation can be easily vacuumed by removing the floor grille. **DO NOT VACUUM HOT COALS OR ASHES.**
4. At the start of each fireplace-use season, inspect the entire system for blockages.

OPERATING INSTRUCTIONS

1. Before starting each fire, inspect the air outlet box for excess ash accumulation that could reduce air flow to the fire. Clean if necessary.
2. Open the outside air kit damper by moving the damper actuator to the open position. (See Fig. 9).
3. When the fire is out and outside air is no longer required, close the outside air damper by moving the damper actuator to the closed position. (See Fig. 9).

MAINTENANCE

The only maintenance required is to keep the outside air kit clean.

1. Periodically clean the air outlet box. Any obstruction of this part will reduce the air supply to the fireplace. A vacuum cleaner with a wand attachment will simplify this task. **DO NOT VACUUM HOT ASHES OR COALS.**
2. Periodically inspect the vent brick and ducting for any blockage. Correct if necessary.

REPLACEMENT PARTS

The following replacement parts for the MAJESTIC Circulator Outside Air Kit can be obtained from your Majestic Dealer. Should you need additional information beyond what your dealer can furnish, contact the Majestic Company, Huntington, Indiana 46750, Attention: Director of Customer Service.

REPLACEMENT PART	PART NUMBER
Floor Grille	75-89-104
Damper Activator	75-48-116
Damper Assembly	25-32-144
Vent Brick Assembly	25-32-130

REFERENCE DATA

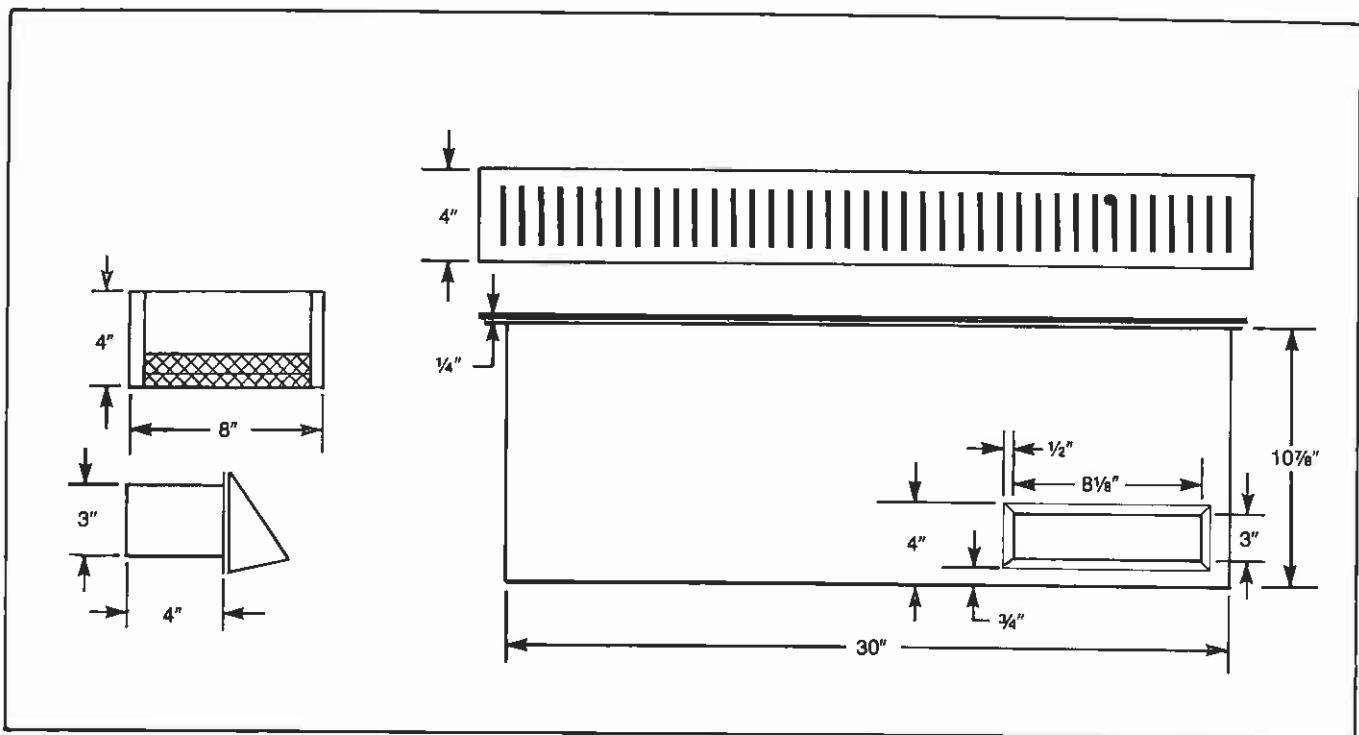


Fig. 11. Overall dimensions for the MAJESTIC Circulator Outside Air Kit.

