

5. WIRING

Note: This appliance must be electrically wired and grounded in accordance with local codes or, in the absence of local codes, with **National Electrical Code ANSI/NFPA 70-latest edition** or the **Canadian Electrical Code CSA C22.1**.

Note: Optional Accessories Requirements: Wiring for optional accessories should be done now to avoid reconstruction.

WARNING!
This standing pilot appliance **DOES NOT** require a 110V AC supply for operation. Connecting the appliance wall switch wires to 110V AC supply will cause the appliance to malfunction and destroy the valve and thermopile.

a. Standing Pilot Ignition

1) Appliance Requirements

This standing pilot appliance does not require a 110V AC supply to operate. It is suggested that a 110V junction box be installed with a switched outlet for the optional electric ember light kit and an always-powered outlet for the optional remote control. See Figure 41 for wiring diagram.

CAUTION:
Label all wires prior to disconnection when servicing controls. Wiring errors can cause improper and dangerous operation. Verify proper operation after servicing.

2) Wall Switch Wiring

The installer shall supply a UL-listed or in Canada, a CSA-listed wall switch. This appliance was tested with eighteen feet of UL listed 18 ga. Type CL2 105°C, two conductor "thermostat wire." If other wiring materials are used they shall comply with local codes. In the absence of local codes, they shall comply with the **National Electrical Code ANSI/NFPA 70-latest edition** or **Canadian Electrical Code CSA C22.1**.

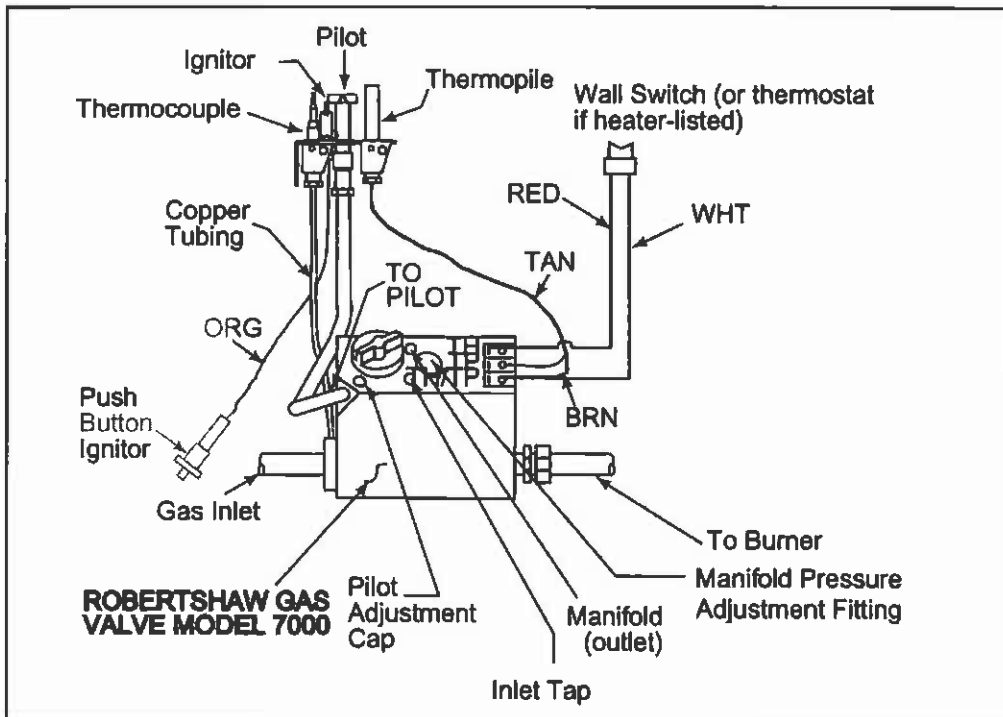


Figure 41 - Standing Pilot Ignition Wiring Diagram

The first name in fireplaces

H. FINISHING

1. COMBUSTIBLE FINISHING MATERIAL

Material made of or surfaced with wood, compressed paper, plant fibers, plastics, or any material capable of igniting and burning, whether flame proofed or not, plastered or unplastered (this includes drywall).

2. NONCOMBUSTIBLE FINISHING MATERIAL

Material which will not ignite and burn. Such materials are those consisting entirely of steel, iron, brick, tile, concrete, slate, glass or plasters, or combination thereof, or have a UL Fire rating of Zero (0).

3. HIGH TEMPERATURE SEALANT MATERIAL

Sealants that will withstand high temperatures: General Electric RTV103 (Black) or equivalent; Rutland, Inc. Appliance Mortar #63 or equivalent.

A high temperature sealant, $\frac{1}{8}$ " wide minimum bead, must be used to close off gaps between the appliance and facing to prevent cold air leaks. See Figure 44.

4. COMBUSTIBLE MANTEL

A combustible mantel may project a maximum of 12" and may be installed at a minimum of 40" above the base of the appliance.

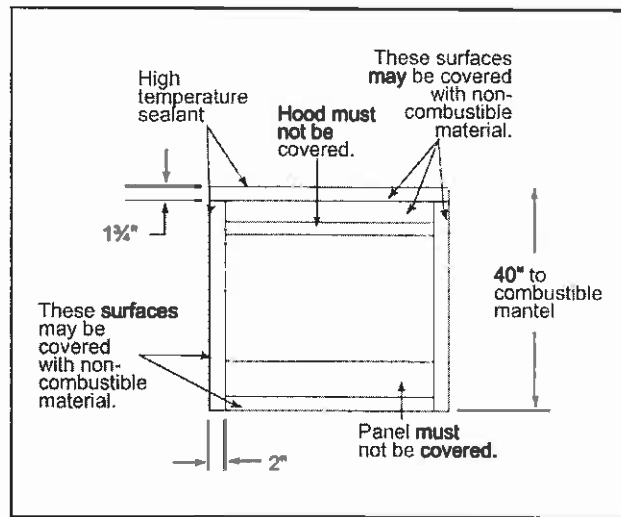


Figure 44
Finishing Materials

WARNING!
Panels on this appliance cannot, in any way, be covered as it may create a fire hazard.

Note: When installing the GDST60 and the GDFL60 series direct vent appliances, it is important not to cover or frame in the lower face on the side opposite the control access panel. These appliances have latches on the bottom of the glass that must be opened in order to remove the glass for cleaning. If you cover the lower face, access to the latches will not be possible. The access panel on this side of the appliance is fixed in place with two screws that must be removed to gain access to the latches. Again, if the non-valve side access panel is covered with your noncombustible material you will not be able to remove the glass.

The first name in fireplaces

OPERATION MANUAL

WARNING!

- Do not hit or strike glass. Do not operate this appliance if the glass is broken or cracked.
- Children and adults should be alerted to the hazards of high surface temperatures and should stay away to avoid burns or clothing ignition. Young children should be carefully supervised when they are in the same room as the appliance.
- Never use (or store) gasoline, gasoline-type lantern fuel, kerosene, charcoal lighter fluid or similar flammable vapors and liquids in (or near) this appliance.
- Do not use this appliance if any part has been under water. Immediately call a qualified service technician to inspect the appliance and to replace any part of the control system and any gas control that has been under water.
- Grilles on this appliance cannot, in any way, be covered as it may create a fire hazard.
- Due to high temperatures of the appliance, the appliance should be located out of traffic and away from furniture and draperies.

CAUTION:

- Any safety screen or guard removed for servicing this appliance must be replaced prior to operation.
- Clothing or other flammable material should not be placed on or near the appliance.

I. APPLIANCE PREPARATION

1. CONTROL ACCESS PANEL

See Figures 37 and 38 on page 21.

2. ATTACHING THE HOOD

The hood is to be located above the glass panel. The front hood must be attached or a fire hazard may result. Locate the four tabs just inside the upper section of the appliance. Position the hood and slide into position. See Figure 45.

Small side hoods (if applicable) must be attached with the three screws located just inside the upper firebox section of the appliance.

3. REMOVE THE GLASS

Remove the glass and screen per the instructions on page 34, Figure 64.



Figure 45 - Installing the Hood

4. **LIGHT KIT INSTALLATION (optional)**

If not installing light kit, proceed to Step 5.

- a. Remove the log/grate assembly by unscrewing the four screws located on the left and right sides of the assembly. See Figure 46.

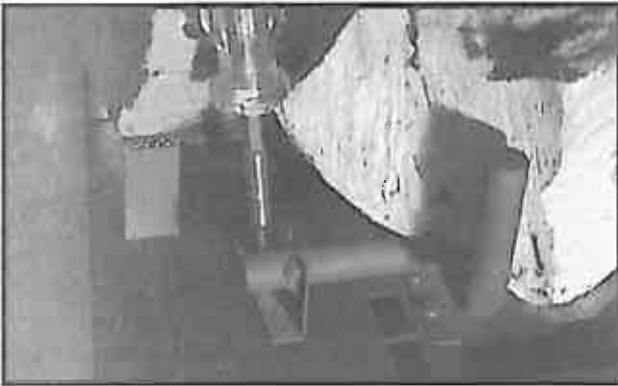


Figure 46 - Remove Log/Grate Assembly

- b. Remove the burner assembly by unscrewing the four screws holding it in place. See Figure 47.



Figure 47 - Remove Burner Assembly

- c. Remove the sheet metal cover plate by unscrewing the two screws located in the corners. See Figure 48.



Figure 48 - Remove Sheet Metal Cover Plate

- d. If you have a "V" series appliance, skip to Step 4.g. Open the control access panel to view the valve compartment. Locate the two cover plates. See Figure 49. Using a short phillips screwdriver, remove the two screws on the cover plate. Repeat for other side.

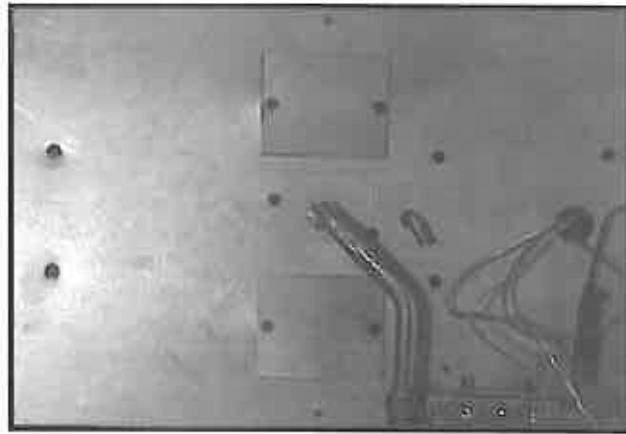


Figure 49 - Cover Plates

- e. Take the light base assembly and position it into the rectangular hole. Using the screws removed in 4.d., attach the light base to the valve plate. See Figure 50. Repeat for the other side.

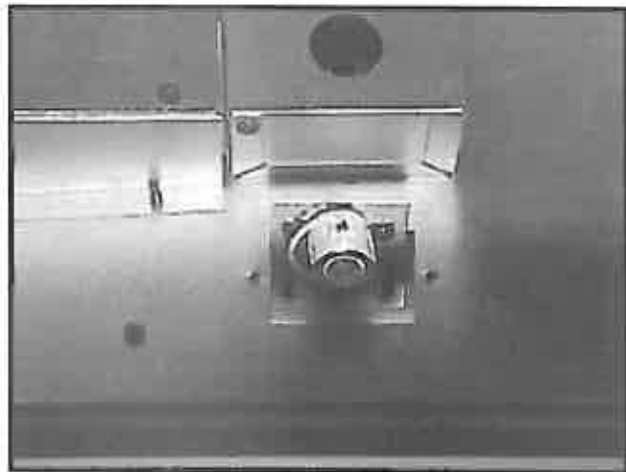


Figure 50 - Light Base Assembly

- f. Remove one green wire and screw from the power box and attach that wire and screw to the firebox support hole located in the bottom right-hand corner of the firebox support.

Place the flange on the power box into the formed tab in the bottom pan. Peel the plastic off the Velcro and press it onto the bottom pan. Plug the light base assembly connector into the power box. See Figure 51. With the wall switch in the "OFF" position, plug the power box cord into the junction box on the switched outlet side. For electronic appliances, plug the transformer into the outlet of the power box. With the wall switch in the "OFF" position, plug the power box cord into the junction box on the switched outlet side.

The first name in fireplaces



Figure 51 - Power Box

- g. Remove the halogen bulbs from the packaging and screw them into the light base. See Figure 52. Once the bulbs are in place, clean the surface of the bulbs with a soft cloth and Isopropyl rubbing alcohol to remove any fingerprints.

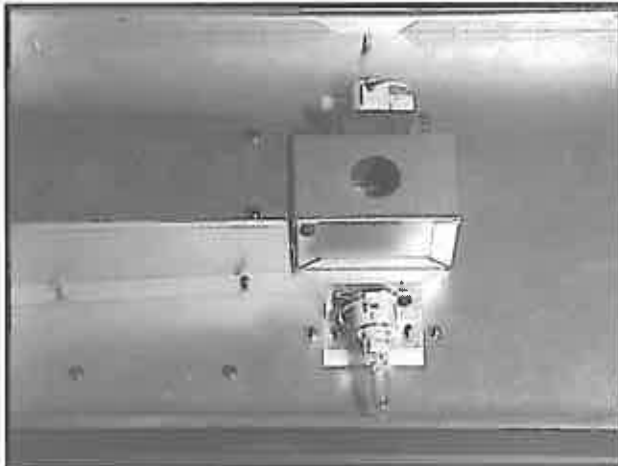


Figure 52 - Light Base

- h. Remove the glass panel from its packaging and place it on the glass supports. Place the colored side down. See Figure 53.



Figure 53 - Glass Panel

- i. Replace the burner assembly using the four screws removed. Place the burner on the brackets so that there are ports in front of the pilot hood and ports under the electrodes on electronic appliances. See Figure 54.



Figure 54 - Burner Assembly

- j. Place the white rocks onto the glass and spread them out to cover the area under the burner. Painting the white rocks with a high temperature black paint before installing them into the appliance can provide a more realistic ember bed look. The lava rock may also be mixed with the white rock and placed on top of the glass if desired. See Figure 55.
- k. Lava rock locations include the lava rock tray on top of the burner and on the hearth pan. See Figures 56 and 57. Vermiculite can be added to the top of the lava rock. Place a small amount of ½" diameter pieces (dime-size) of rock wool on the burner pan so that the rock wool touches but does not cover the holes in the burner pan. This will provide the "glowing embers" look. See Figure 56. Fire Glow (FIRE98) is a flame colorant that also adds to the realism of the gas appliance flame. After placing the rock wool in the appliance, sprinkle some of the Fire Glow on top of the burner. As with the lava rock, vermiculite, and rock wool, it is not necessary to use the entire bag. Save the remainder for future use.
- l. Reinstall the grate assembly using the four screws removed.

The first name in fireplaces

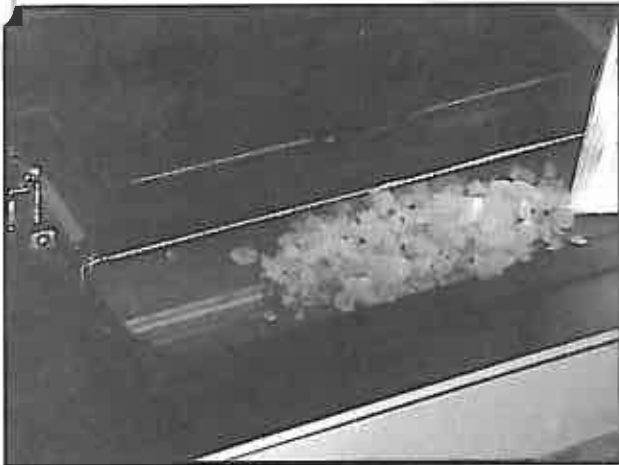


Figure 55 - White Rock



Figure 57 - White Rock



Figure 56 - Lava Rock and Mineral Wool



Figure 58 - CALIBER Log Set

5. LOGS

The log set should look similar to that in Figure 58.

6. PLACING THE FIRE GLOW

Fire Glow (FIRE98) is a flame colorant material that also adds to the realism of the gas appliance flame. After placing the rock wool in the appliance, sprinkle some of the fire glow on top of the burner. As with the lava rock, vermiculite and rock wool, it is not necessary to use the entire bag. Save the remaining for future use.

7. GLASS AND SCREEN REPLACEMENT

See page 34 of this manual.

J. FUEL CONVERSION INSTRUCTIONS

Note: Do NOT burn wood or other material in this appliance.

Natural or propane gas conversions necessary to meet the application need to be made by a qualified technician using Hearth & Home Technologies specified and approved parts. To convert to use propane gas, you must use a CKVP Conversion Kit. To convert to use natural gas, you must use a CKVN Conversion Kit.

The first name in fireplaces

K. DETERMINING THE IGNITION

To determine whether your appliance is an electronic ignition or a standing pilot ignition system, open the control access panel to examine the wiring system. If your system has a red ignitor button as shown in Figure 59, you own a standing pilot ignition appliance. If no red ignitor button is present, you own an electronic ignition appliance.

You may also check the rating label located on the inside of the control access panel to determine ignition type.



Figure 59
Standing Pilot Ignition

L. LIGHTING INSTRUCTIONS

1. ELECTRONIC IGNITION

FOR YOUR SAFETY READ BEFORE OPERATING

WARNING!

If you do not follow these instructions exactly, a fire or explosion may result causing property damage, personal injury or loss of life.

- A. This appliance does not have a pilot. It is equipped with an ignition device which automatically lights the burner. Do not try to light the burner by hand.
- B. BEFORE OPERATING smell all around the appliance area for gas. Be sure to smell next to the floor because some gas is heavier than air and will settle on the floor.

WHAT TO DO IF YOU SMELL GAS

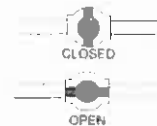
- Do not try to light any appliance.
- Do not touch any electric switch; do not use any phone in your building.
- Immediately call your gas supplier from a neighbor's phone. Follow the supplier's instructions.
- If you cannot reach your gas supplier, call the fire department.
- C. Use only your hand to turn the manual shutoff valve. Never use tools. If the lever or knob will not move by hand, don't try to repair it—call a qualified service technician. Force or attempted repair may result in a fire or explosion.
- D. Do not use the appliance if any part has been under water. Immediately call a qualified service technician to inspect the appliance and to replace any part of the control system and any gas control which has been under water.

LIGHTING INSTRUCTIONS

1. STOP! Read the safety information above on this label.
2. Turn wall switch to the "OFF" position.
3. This appliance is equipped with an ignition device which automatically lights the burner. Do not try to light burner by hand.
4. Wait five minutes to clear out any gas. If you then smell gas, STOP! Follow "B" in the safety information above on this label. If you don't smell gas, go on to the next step.
5. To turn on burner, turn on the wall switch.
6. If the appliance will not operate, follow the instructions "TO TURN OFF GAS TO APPLIANCE" and call your service technician or gas supplier.

TO TURN OFF GAS TO APPLIANCE

1. Turn off the wall switch or set the thermostat to the lowest setting.
2. Turn off all electric power to the appliance if service is to be performed.
3. Turn manual shutoff valve to the "OFF" position.
4. Close the control access panel.



The first name in fireplaces