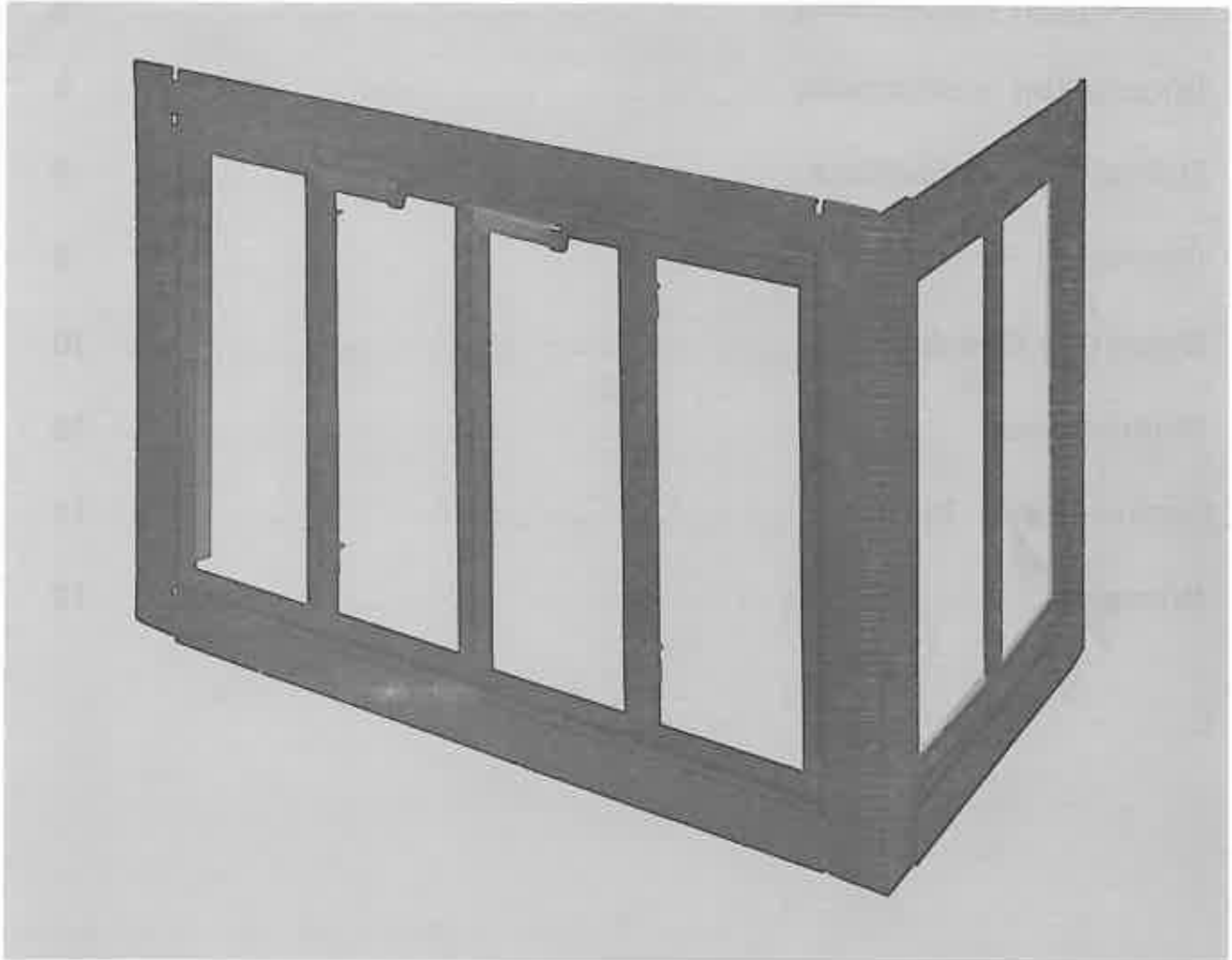


# INSTALLATION AND OPERATION INSTRUCTIONS

for the **MAJESTIC<sup>™</sup>**  
**GLASS ENCLOSURE KIT**  
MODEL: GERL36-1/BR5



**Important:** Read instructions carefully before starting installation. Failure to follow these installation instructions as detailed may result in a possible fire hazard and will void the Majestic warranty.

**MAJESTIC**  
An American Standard Company

Save this manual for future reference

# Table of Contents

	Page
<b>Identification of Parts</b> .....	<b>3</b>
<b>Contents of Shipping Cartons</b> .....	<b>3</b>
<b>Installation Precautions</b> .....	<b>4</b>
<b>Installation Instructions</b> .....	<b>4</b>
<b>Operating Precautions</b> .....	<b>9</b>
<b>Operating Instructions</b> .....	<b>9</b>
<b>Operation Check List</b> .....	<b>10</b>
<b>Maintenance</b> .....	<b>10</b>
<b>Replacement Parts</b> .....	<b>11</b>
<b>Warranty</b> .....	<b>12</b>



## IDENTIFICATION OF PARTS

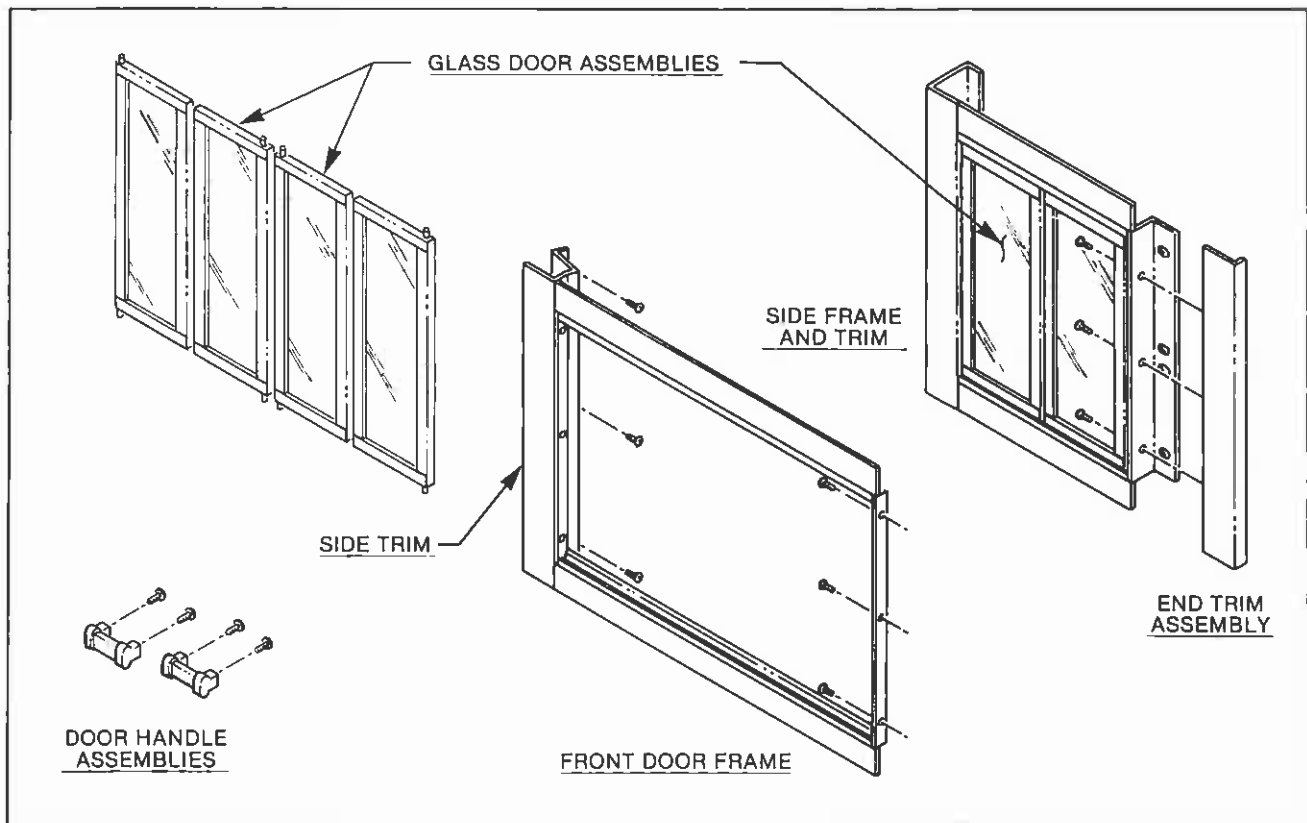


Fig. 1. Parts of the MAJESTIC Glass Enclosure, Right and Left.

## CONTENTS OF SHIPPING CARTONS

Refer to Fig. 1 for identification of parts.

### **PART (number of pieces enclosed)**

Glass Door Assemblies (3 sets).

Front Door Frame and Trim (1).

Side Frame and Trim (1).

End Trim Assembly (1).

Thread Forming Screw, 1/2" x #10, Phillips Head (3)

Thread Forming Screw, 1/2" Long, Washer Head (6).

Handle Assembly (2).

#8 Machine Screw (4).

## INSTALLATION PRECAUTIONS

This MAJESTIC Glass Enclosure Kit (GERL) is tested and safe when installed in accordance with this Installation Manual. It is your responsibility to read all instructions before starting installation and to follow these instructions carefully during installation to assure maximum benefit from and safe operation of the glass enclosure.

This glass enclosure is carefully engineered and must be installed only on the specified MAJESTIC Fireplace. If you modify it or any of its components, you may possibly cause a fire hazard and will void the Majestic warranty. In addition, such action may void the coverage provided by the owner's house insurance.

The glass enclosure must be installed **within** the fireplace opening as detailed in this manual. It must **not** be separated from the firebox with fireplace facing or finishing materials.

Fireplace facing or finishing materials must **not** cover any of the glass enclosure's trim channels or obstruct the air inlet louvers located across the bottom air inlet channel.

It is good practice to protect your hands and eyes during installation by wearing work gloves and safety glasses.

## INSTALLATION INSTRUCTIONS

### A. Preliminary Instructions

#### A-1. VERIFY MODEL NUMBER.

The GERL36 is designed for use with the MAJESTIC MD36R-AO or MD36L-AO fireplaces only.

#### A-2. CHECK CONTENTS OF SHIPPING CARTONS.

Compare *Contents of Shipping Cartons* table on page 3 and Fig. 1 on page 3 with actual parts received. If any parts are missing, contact your Majestic Dealer before starting installation.

At the same time, inspect each part for shipping damage. Do not install a damaged Glass Enclosure Kit.

#### A-3. INSTALL OUTSIDE AIR KIT.

If you are going to use a MAJESTIC AIR KIT (MAK-4) with your GLASS ENCLOSURE KIT, it must be installed when the fireplace is installed. Refer to the installation instructions supplied with the MAK-4.

#### A-4. CLEAN NEW MASONRY.

New mortar and masonry cleaning agents will corrode brass unless they are neutralized. Therefore, if your fireplace surround has been faced with any type of masonry, wash it with ammonia water or a baking soda solution so the brass trim pieces of your GERL will not be corroded.

#### A-5. REMOVE PLASTIC COATING FROM BRASS TO PREVENT DISCOLORATION.

The protective plastic coating must be removed from the brass trim on GERL-BRS models.

**CAUTION:** The trim of the brass enclosure must not be covered with fireplace finishing materials. The GERL must not be installed over fireplace facing materials.

## B. Installing a GERL36 onto a MD36R-AO or MD36L-AO fireplace.

NOTE: All figures depict installation in an MD36R-AO. Install an MD36L-AO in similar manner but as a mirror image.

### □ B-1. ADJUST THE FIREPLACE SCREEN

First release the four (4) screen retaining clips on the side and back of the firebox. Retain these clips (Fig. 2). Slide the screen away from the edges of the fireplace to the center.

### □ B-2. REMOVE DOOR ASSEMBLIES

Open the GERL front doors fully and with a screwdriver, depress each top spring bracket that holds each door assembly in place (Fig. 3), and remove door assemblies from the front frame.

On the side door assembly (See Fig. 4):

- (A) Locate the two (2) retaining screws and remove with Phillips head screwdriver. Then,
- (B) Swing door panel open 90 degrees; and with flat blade screwdriver, depress the top spring bracket that holds the door assembly in place and remove from side frame by leaning the door panel towards the center of frame.

### □ B-3. INSTALL THE FRONT DOOR FRAME

For an MD36R-AO application, skip step 1, and start with step 2. For an MD36L-AO application, start with step 1.

**STEP 1: (MD36L-AO Application Only)**  
Remove three (3) washer head screws retaining side trim to front door frame and flip side trim over from top to bottom and reattach to opposite end of dock frame. (See Fig. 5).

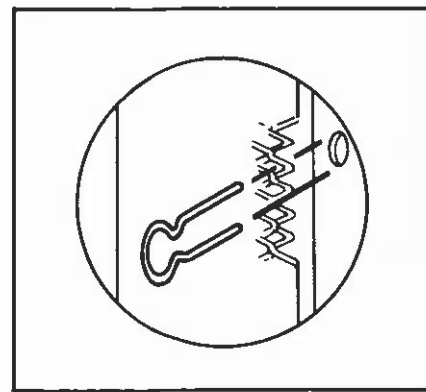


Fig. 2 Screen Retaining Clips

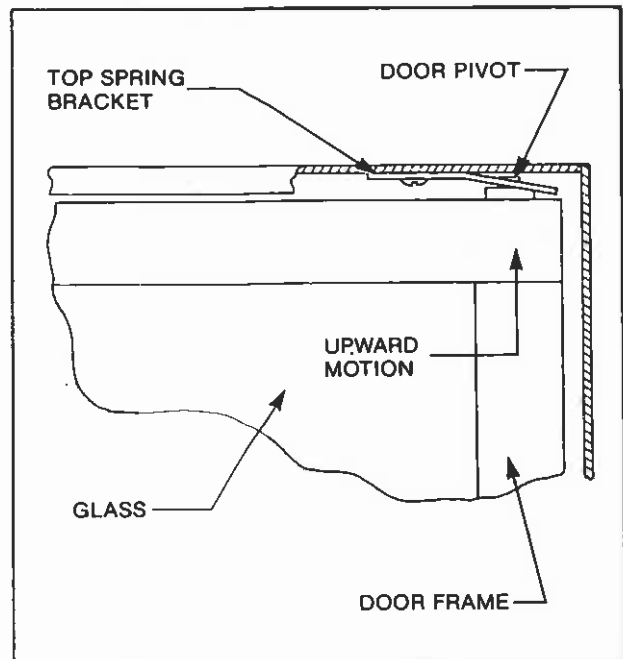


Fig. 3 Depress top spring bracket to remove door assembly.

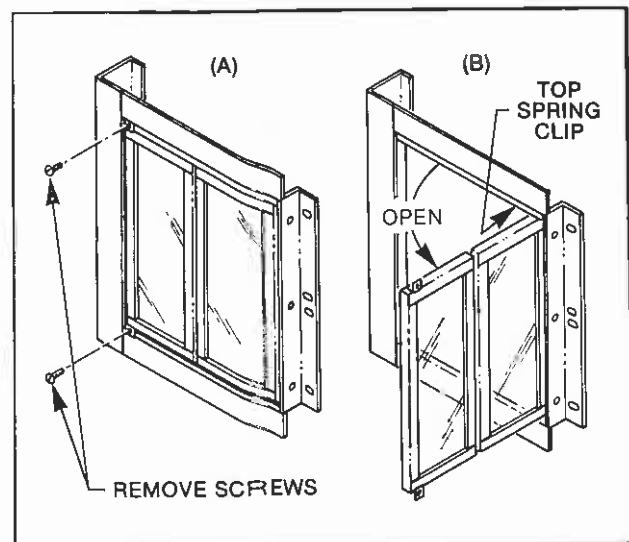


Fig. 4. Remove side door assembly.

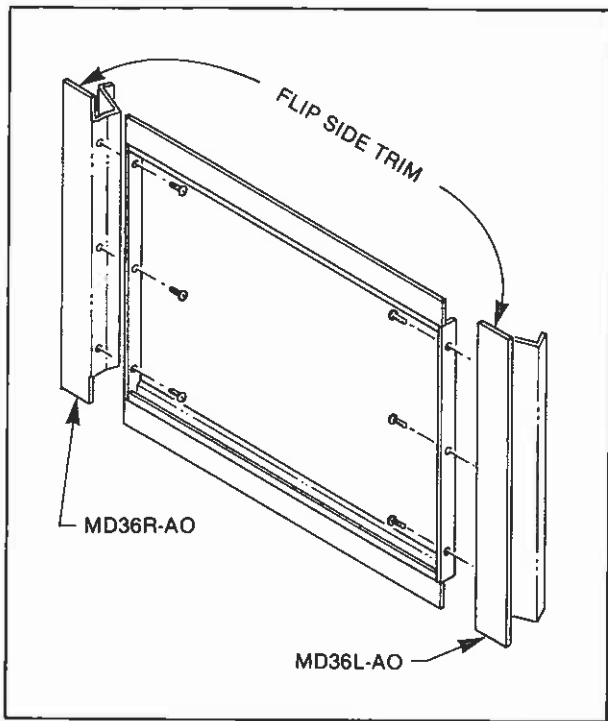


Fig. 5. Flip side trim for MD36L-AO application.

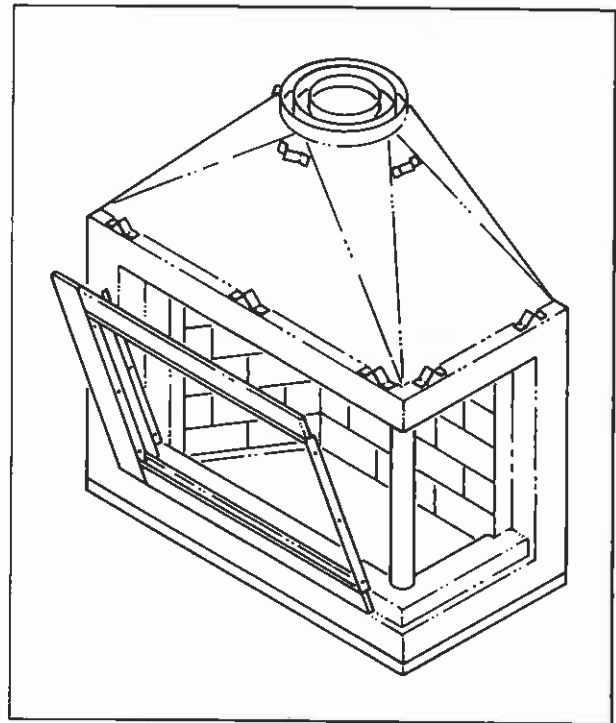


Fig. 6. Position the front frame assembly.

**STEP 2:** Lift door frame and trim assembly by the side supports and position the bottom of the assembly into the bottom of the fireplace opening (Fig. 6). While pushing the bottom down and in, swing the top of the assembly into position.

**STEP 3:** Drill three (3) holes into the fireplace combustion casing using a 1/8-inch (#30) drill bit. Locate holes by passing the drill bit through the mounting holes in the side trim (Fig. 7). Be sure frame and trim assembly is flush with the fireplace surround before starting to drill. Fasten the frame and trim assembly in place using three (3) 1/2" and #10 Phillips head thread forming screws. The screws should enter through the three (3) mounting holes of the frame and trim assembly and screw into the drilled holes in the combustion casing.

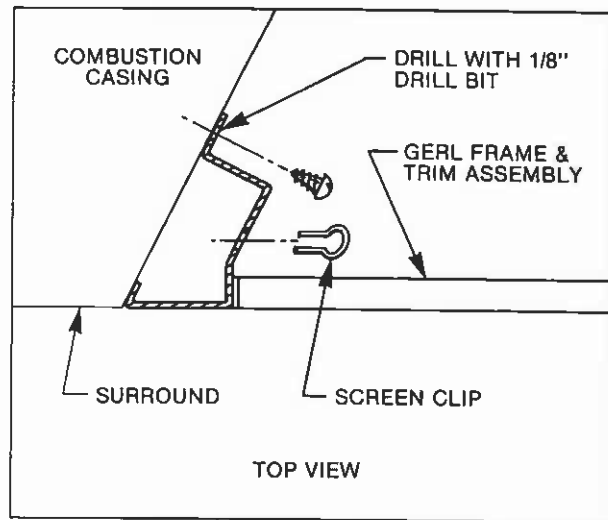


Fig. 7. Fasten the front frame and trim assembly.

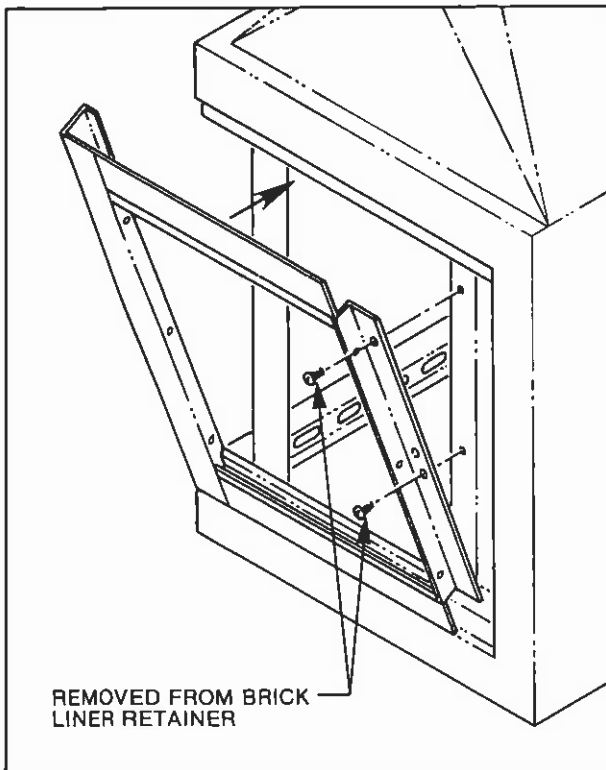
#### □ B-4. INSTALL THE SIDE FRAME

**STEP 1:** Remove top two (2) screws from brick liner retainer on open end of fireplace (Fig. 8). Retain screws.

**STEP 2:** Lift the frame and trim assembly by the side supports and position the bottom of the assembly into the bottom of the fireplace opening. While pushing the bottom down and in, swing the top of the assembly into position.

**STEP 3:** Fasten the side frame to the brick liner retainer using the two (2) screws removed in Step 1. (See Fig. 8).

**STEP 4:** Using three (3) washer head screws, fasten front door frame to the corner trim as shown in Fig. 9. Loosen two (2) screws securing side frame to brick retainer (See Step 3) and position the front



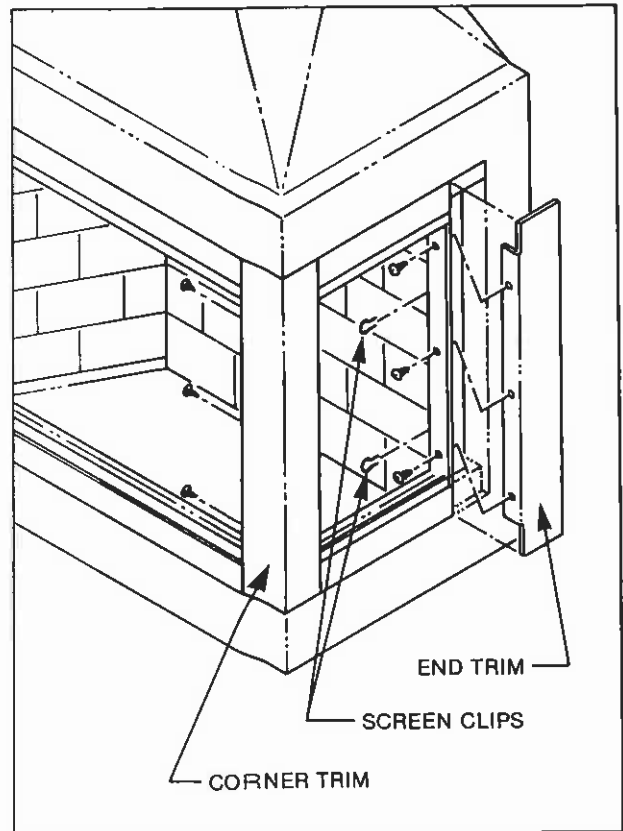
**Fig. 8.** Position the side frame assembly and attach to brick liner retainer.

door frame so that it is flush with the fireplace surround then retighten screws.

**STEP 5:** Install the end trim piece and fasten to side frame using three (3) washer head screws as shown in Fig. 9.

#### □ B-5. REMOUNT SCREEN CLIPS

The screen retaining clips removed earlier are designed to anchor the screen at the sides of the fireplace opening. Locate the new screen clip mounting holes at each side of the GERL side channels. (Figs. 7 & 9). Insert the screen clips through a link at the edge of the screen halves in line with the screen clip mounting holes. Insert the open ends of the screen clips into the screen clip mounting holes.



**Fig. 9.** Fasten front door frame to corner trim and install end trim piece and screen clips.

## □ B-6. MOUNT DOOR HANDLES

Mount both door handles using the four (4) #8-32 screws provided. (See Fig. 10). Mount to front door assemblies.

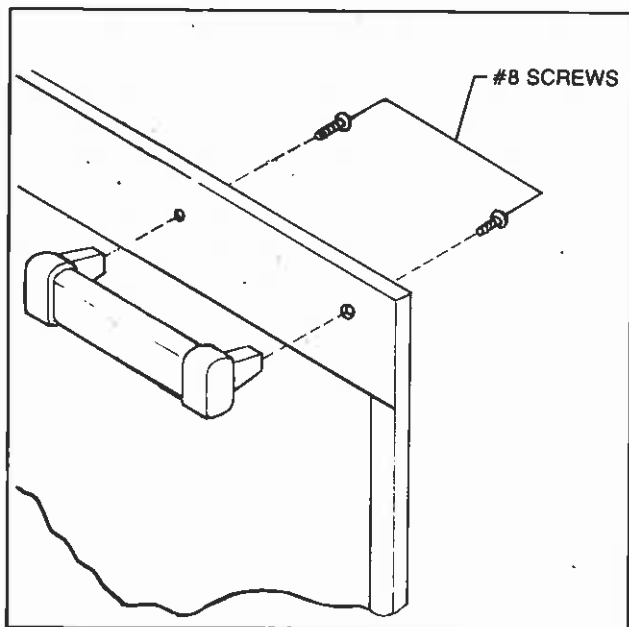


Fig. 10. Mount door handles.

## □ B-7. REMOUNT DOORS

Hold door perpendicular to GERL and tip slightly toward the center of the opening as shown in Fig. 11. Slide the bottom stud into the bottom spring clip. Then slide the top stud into the top spring clip. Install both front door assemblies in this manner. (Reinstall side door panel by reversing the procedure described in B-2 (Fig. 4).)

## □ B-8. ADJUST AND/OR ALIGN DOORS

After you remount the glass doors (Step B-7), it may be necessary to adjust and/or align the doors. Provisions have been made for minor adjustments. The doors should be parallel to each other and to fireplace opening.

After opening the doors fully, the upper and lower pivot points of the door assembly can be moved laterally by loosening the spring bracket holding screw and sliding the spring bracket in the desired direction. Then retighten the screws, close the doors and check the new alignment. (Fig. 3.)

The lower rail spring retainer which holds the door in the closed position may also be adjusted up or down as shown in Fig. 12 to give firm closure.

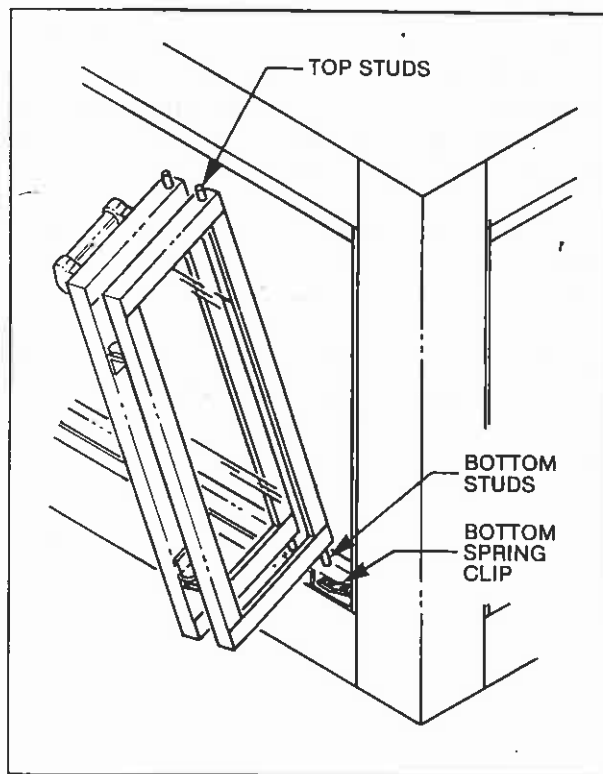


Fig. 11. Remount doors.

Door position will be approximately 120° to the fireplace front when full open. (See Fig. 13).

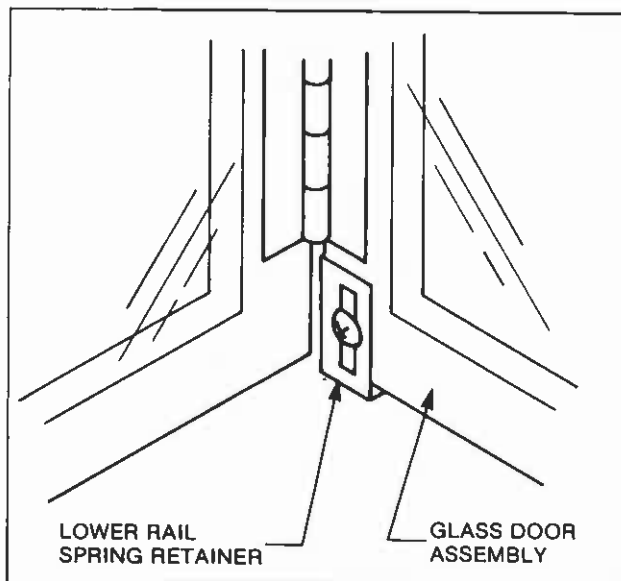


Fig. 12. Use lower rail spring retainer to adjust tension of doors in closed position.



## OPERATING PRECAUTIONS

1. Always open the fireplace flue damper before starting a fire.
2. Never close the fireplace flue damper until the fire is completely out and all smoking has stopped.
3. Always keep the bottom air inlet channel free of obstructions.
4. Do not build extremely large fires as they could damage the tempered glass in the doors.
5. Never allow flames from the fire to contact the glass door.
6. When operating the fireplace, the glass enclosure doors must be in either the fully open or fully closed position. When the doors are open, the screen must be closed.

## OPERATING INSTRUCTIONS

It is very important to realize that the operation of a fireplace equipped with a glass enclosure is different than for an open front fireplace. Your fireplace now has a limited supply of air that the fire needs in order to burn properly. In addition, a tremendous amount of heat can build up within the firebox. In order to preserve the beauty and function of your glass enclosure, the following operating instructions must be followed carefully.

Before starting each fire, check to see that your basket grate or andirons are positioned near the back of the firebox. The space between the back of your grate or andirons and the back wall of the fireplace should be about  $\frac{1}{2}$  inch.

The GERL doors and the fireplace flue damper must both be in the fully open position before starting your fire.

Follow the procedure for building and starting a fire as detailed in your fireplace home owner's manual. You may close the GERL doors **after** the fire is well started. Do not, however, close the GERL doors on an excessively hot fire as this may harm the

glass in the doors. The glass must be allowed to warm slowly. The tempered glass in the GERL doors will withstand a gradual temperature rise to 550°F, which is more than a normal fire will create. An excessively hot fire can be created by such things as pitch laden logs, very dry mill end lumber, or large amounts of paper or cardboard cartons. Keep the fire well back from the doors and never let flames contact the glass.

If your fire gets too large at any time, open both glass doors. This will quickly reduce the heat in the firebox. Push the logs or other fuel to the rear of the firebox and rearrange into a single layer. Let the fire burn to a smaller size before closing the glass doors again.

**WARNING: "FIREPLACES EQUIPPED WITH DOORS SHOULD BE OPERATED ONLY WITH DOORS FULLY OPEN OR DOORS FULLY CLOSED. IF DOORS ARE LEFT PARTLY OPEN, GAS AND FLAME MAY BE DRAWN OUT OF THE FIREPLACE OPENING, CREATING RISKS OF BOTH FIRE AND SMOKE.**

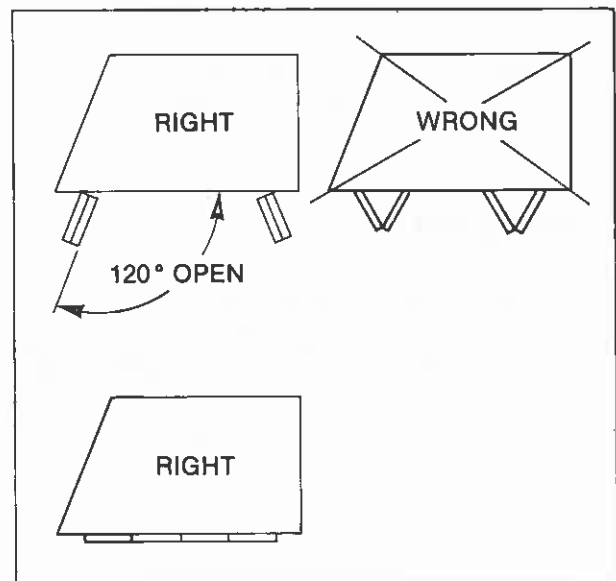


Fig. 13. GERL door operating positions.

Anytime you have a fire burning in the fireplace and you open the GERL doors, be sure to close the fireplace screen. (Fig. 13.)

Never close the fireplace flue damper until you are positive that your fire is completely out. Partially burned logs and other fuels can appear to be out even when they are still live and giving off dangerous gases. If the damper is closed too soon, these gases may escape into the room.

## OPERATION CHECK LIST

The following check list summarizes the key steps discussed under *Operating Instructions*. You may find it useful for a quick review from time to time, particularly at the start of each new fireplace usage season.

- 1. Position basket grate or andirons near back of fireplace.
- 2. Open GERL doors and damper.
- 3. Be sure bottom air inlet channel is clean.
- 4. Build fire as described in fireplace owner's manual.
- 5. Close GERL doors after fire is started if fire is normal size.
- 6. If fire gets too large, open GERL doors and reduce size of fire.
- 7. Keep damper open until fire is completely out and all smoking has stopped.

## MAINTENANCE

Your MAJESTIC Glass Enclosure is built to require very little maintenance. It is suggested, however, that you perform the following procedures as required to maintain the original attractive appearance of the glass enclosure.

## CARE OF BRASS

Your glass enclosure is built with a heavy steel angle iron frame that may be covered with a facing of antique brass. The surface of the brass is coated with a clear baked-on enamel to prevent tarnishing of the brass.

This finish is treated to withstand temperatures developed with normal fireplace operation, **BUT DO NOT OVER-FIRE THE FIREPLACE.**

**Do not polish the brass.** When cleaning is required, use Ivory soap suds and a soft cloth. After washing, dry the surface with a clean dry soft cloth.

## CARE OF GLASS

The glass in the GERL doors has been specially treated for use with fireplaces. It will withstand a temperature of 550°F, which is higher than the temperature developed by a normal fireplace fire. This glass is eight times stronger than conventional plate glass; but, it is possible to break the glass through abuse or by overheating it. The glass can be cleaned when completely cool with most household glass cleaners.

Should a glass panel ever break, you can order replacement door panels from Majestic through your Majestic Dealer. To remove the door panel assembly, open the GERL doors fully, press the spring clip in the top door frame channel and pull the top of the glass panel toward the center of the fireplace opening. (Fig. 3.) Slip the pivot pin out of the spring clip and remove the door assembly hinge by removing the attachment screws. The new door panel can be installed using the same screws.

## REPLACEMENT PARTS

The following replacement parts for the MAJESTIC Glass Enclosure Kit (GERL) can be obtained from your Majestic Dealer. Should you need additional information beyond what your dealer can furnish, contact Majestic Company, Huntington, Indiana 46750, Attention: Director of Customer Service.

### Replacement Parts

Door Handle Kit

Left Door Assembly

Right Door Assembly

Left Door #1

Left Door #2

Right Door #3

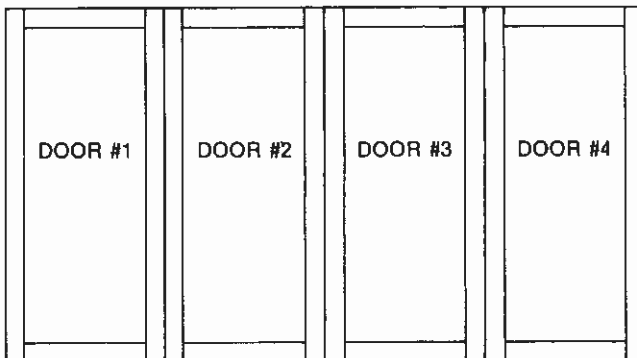
Right Door #4

Side Door Assembly

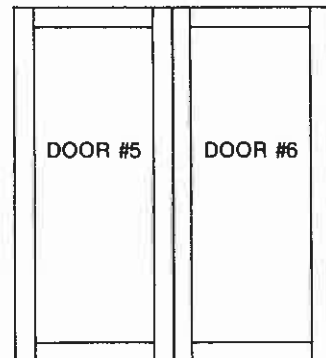
Side Door #5

Side Door #6

When ordering replacement parts, the following diagram will help you in identifying the needed part.



Front Door Assemblies



Side Door Assemblies



THE MAJESTIC COMPANY, HUNTINGTON, INDIANA 46750

74-12-188 IIGERL/483

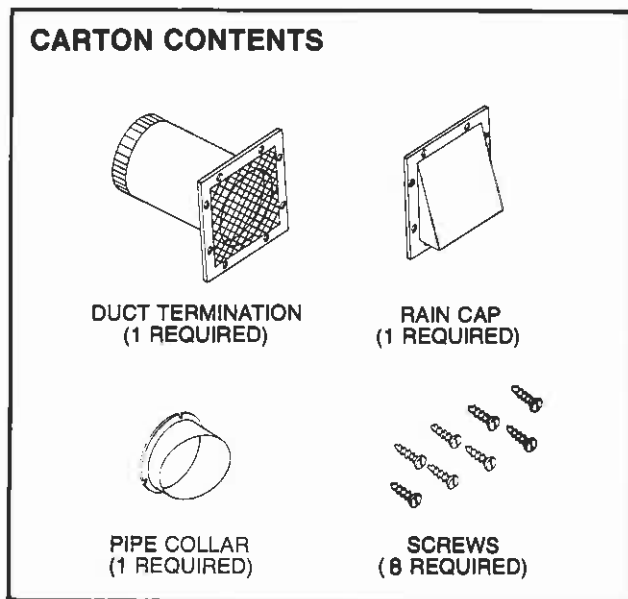


Fig. 1. Parts of Majestic Outside Air Kit MAK (Duct Piping not included.)

The MAJESTIC air kit (MAK-4 and MAK-6) can be installed to the pre-installed air inlet of MAJESTIC fireplace, to bring combustible air to the fire chamber. (See Table 1).

The air that is drawn into the fire chamber from outside the home or unheated area helps relieve the pressure in the home.

### Contents of the shipping carton

Compare contents of the shipping carton in Fig. 1 with actual parts received. If any parts are missing or damaged, contact your MAJESTIC dealer before starting installation.

**Note:** Class I ducting material is not supplied with MAK. (For installation in New York State, ONLY ALUMINUM, NON-COMBUSTIBLE FLEXIBLE OR TYPE "O" METAL DUCTING IS PERMISSIBLE)

### Installation Precautions

The duct termination should be located so it is exposed to an out-of-doors opening at least 100 square inches. If the duct termination must be located in an attic crawl space or basement, be sure the termination area has 100 square inches of ventilation opening to outside air.

The duct termination must be located so it does not compete for air flow with exhaust fans, gas vent hoods or other air consuming devices or appliances. It must not be obstructed by rafters, insulating materials or other obstructions. The less restrictive the air supply, the better the MAK will perform.

It is good practice to protect your hands and eyes during installation by wearing work gloves and safety glasses.

**CAUTION:** DO NOT INSTALL TERMINATION INTO A GARAGE OR OTHER AREA THAT COULD CONTAIN FLAMMABLE LIQUIDS OR FUMES, OR INTO AN ATTIC SPACE.

# INSTALLATION AND OPERATION INSTRUCTIONS



for the  
**MAJESTIC. OUTSIDE AIR KIT**  
MODEL: MAK-4 and MAK-6

Table 1.

AIR KIT MODEL	FIREPLACE MODELS	DIAMETER OF VENT
MAK-4	M28-AO M36-AO, MD36-AO MD36R-AO MD36L-AO MD42-AO MHC42, MHC42F	4"
MAK-6	MHC28, MHC28F MHC36, MHC36F	6"

### Installation Instructions

Determine the location of the fireplace as described in the fireplace Installation Manual. Then plan the location of the duct termination and the route of the duct run between the fireplace and the duct termination. Refer to Fig. 4. for overall dimensions of the MAK.

Duct run must be limited to a maximum distance of 20 feet from the fireplace pipe collar to duct termination. This will provide the least restriction to air flow. No more than four 90° elbows can be used. Duct run may be horizontal, vertical inclined or any combination of these. Vertical duct runs must be at least three feet below the fireplace chimney flue exit. See Fig. 2.

Remove the cover plate on the left side of the fireplace and retain the three mounting screws. Secure the pipe collar to the fireplace side at the mounting holes used for the cover plate. Use the screws retained from the cover plate. See Fig. 4. Position and secure the fireplace per fireplace installation instructions.

Locate the duct termination as previously determined in Table 1, and attach the specified dia. duct run. Use Class I duct material between pipe collar and duct termination. If the duct termination is located on an outside wall, it should be equipped with the provided rain cap. Caulk and nail or screw the rain cap in place. See Fig. 3. Secure the duct run using three sheet metal screws at each joint. These screws are not provided.

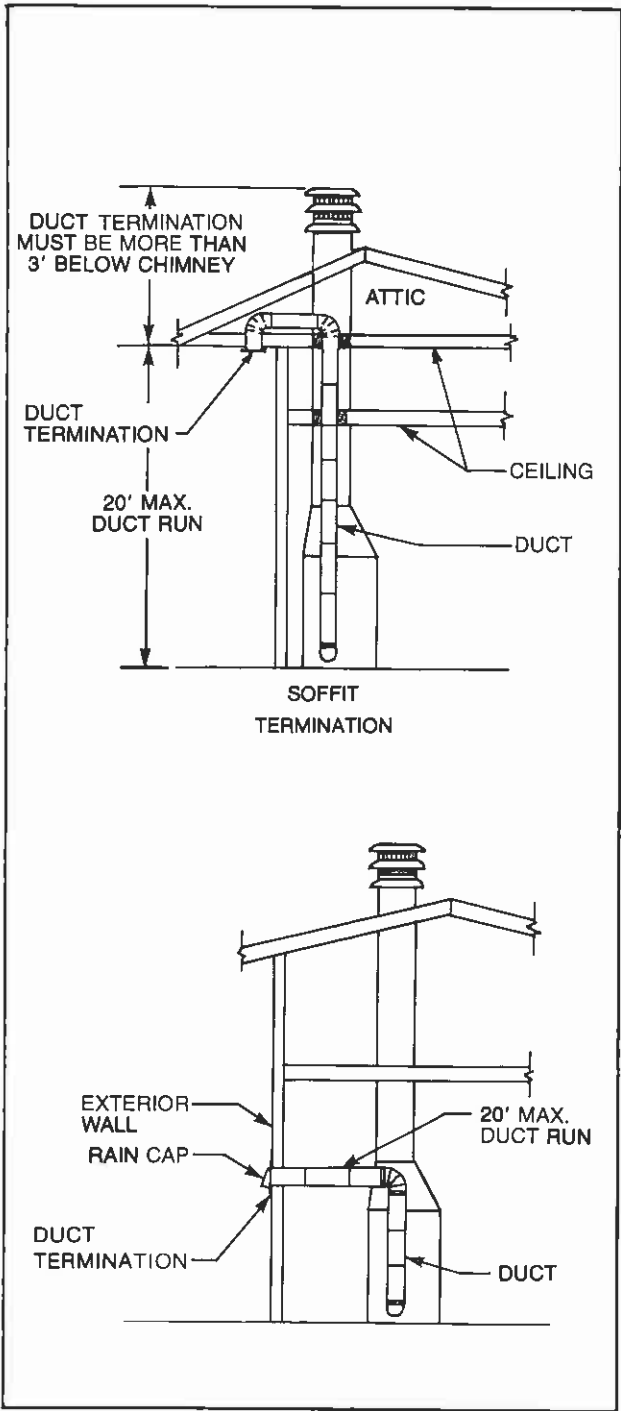


Fig. 2. Typical MAK installations.

**Operating Precautions and Instructions**

Before starting each fire, inspect the MAK air inlet channel for excess ash accumulation that could reduce air flow to the fire. Clean if necessary.

When operating with glass doors, open the doors and close the MAK damper so your fire will be started using room air. After the fire is well started, you may open the MAK damper and close the doors to provide outside air to the fire. The fireplace may be operated in any combination of outside air, doors open or doors closed.

Periodically inspect the duct termination for any blockage. Correct if necessary.

The outside air damper lever is located in the front left side of the hearth. To operate outside air damper lever for maximum benefit and efficient usage, refer to operating instructions in Owner's Manual.

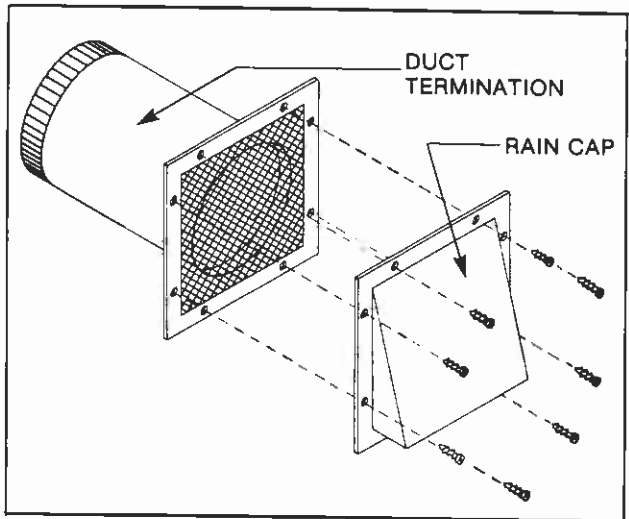


Fig. 3. Caulk and nail or screw rain cap in place.

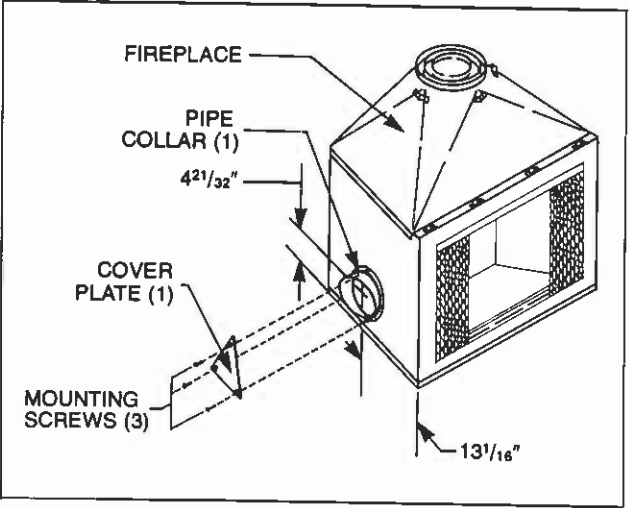


Fig. 4. Overall dimensions locating MAK pipe collar.

  
 An Equus Building Products Company  
 Huntington, Indiana 46750 (219) 356-8000